



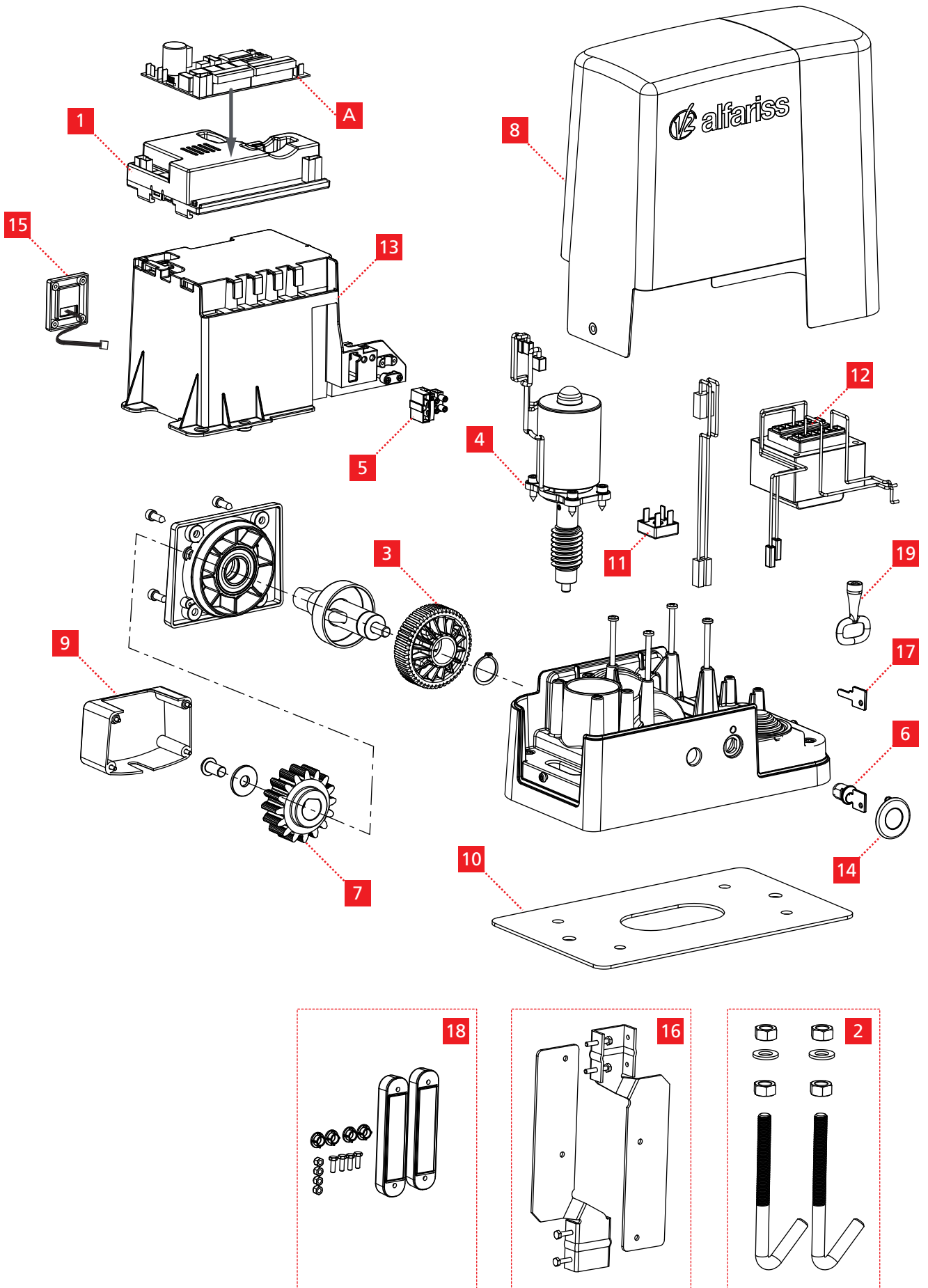
Spare Parts Pricelist



INDEX

ALFARISS	4	PD8	71
AYROS-230V	6	PD12	72
AYROS-24V	8	PD13	73
GOLD	10	PD18	74
FORTECO	12	PD19	75
HYPERFOR	14	CITY5	76
AXIL	16	PHOENIX4	77
CALYPSO	18	PHOENIX2	77
BINGO	20	TSC-4	78
LYCOS	22	TRC-4	78
URSUS	24	PHOX4	79
ZARISS	26	PHOX2	79
BLITZ	28	MATCH	80
CICLON	30	WALLY	80
VULCAN	32	ECO-LOGIC	81
AZIMUT	34	SIRMO-DIGIT	82
JEDI	35	SIRMO	82
ATRIS	36	PROKSIMA - NEXT	83
VEGA	38	GARDO	84
ARGO	40	SENSIVA-XS	85
ZENIA	42	SENSIVA-180	85
ZENIA4-ZENIA6	44	SENSIVA-WL	85
BY4-BY6	46	SENSIVA-PLUS	85
NIUBA4-NIUBA6	48	SENSIVA	86
NIUBA4-NIUBA6 (2016)	50	DFN	86
CITY1	52	RIF50	87
CITY1-EVO	53	BT01	87
CITY1-EVO-PB	54		
CITY2+	56		
CITY2+L	57		
CITY4	58		
CITY4-EVO	59		
HEAVY1	60		
HEAVY2	62		
FLEXY2	64		
CITY7	65		
CITY9/PRGS2	66		
CITY11	67		
EASY2	68		
EASY3	69		
EASY4	70		

ALFARISS



	CODE	PRICE (€)
1	171262	8,00
2	172344	10,00
3	172345	15,00
4	172346	115,00
5	AKA007	3,50
6	MCR002	10,50
7	MM028A	10,00
8	MP682B	24,50
9	MP690B	1,00
10	MS130A	19,50
11	SPD001	3,50
12	TRA038	43,00
13	MP691A	7,50
14	MP689B	2,00
15	YSN029	15,00
16	162326	8,50
17	MCR003	3,50
18	YKT066	10,00
19	MCR013	2,50

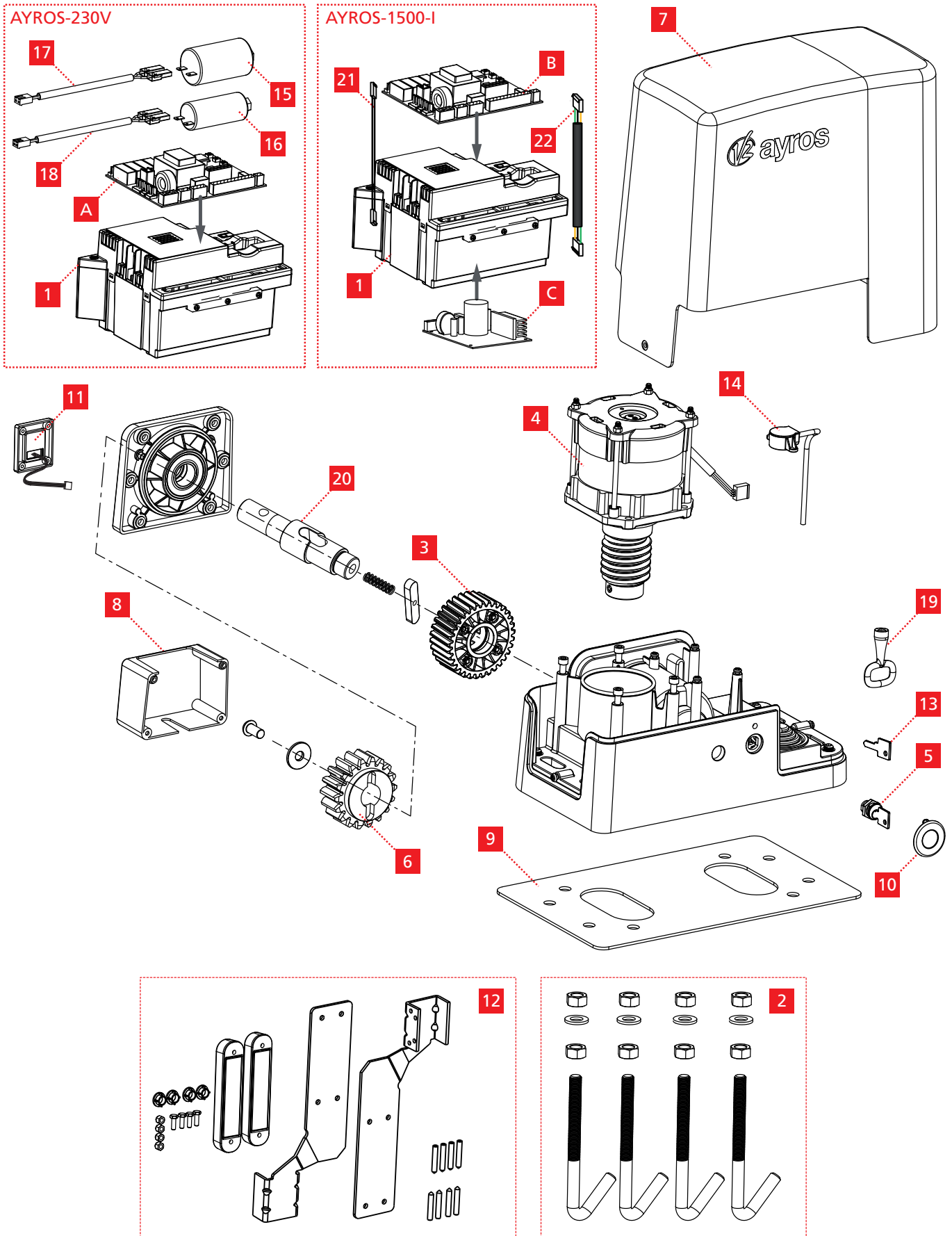
CONTROL UNIT

	CODE	PRICE (€)
A	171256	115,00

PACKAGING

	CODE	PRICE (€)
	ZM222B	16,50

AYROS-230V



	CODE	PRICE (€)
1	171265	18,00
2	172355	20,00
3	172349	20,00
4	172350 (AYROS400D-230V)	160,00
	172351 (AYROS800D-230V)	170,00
	172352 (AYROS1200D-230V)	180,00
	172362 (AYROS1500-I)	196,00
5	MCR002	10,50
6	MM013B	26,50
7	MP719B	25,50
8	MP456B	2,50
9	MS136A	13,00
10	MP689B	2,00
11	YSN031	13,50
12	162327	43,50
13	MCR003	3,50
14	162331	19,00
15	CPP023 (18 µF - AYROS400D-230V) (18 µF - AYROS800D-230V)	5,00
	CPP028 (25 µF - AYROS1200D-230V)	6,50
	CPP043 (8 µF - AYROS400D-230V)	3,50
16	CPP021 (10 µF - AYROS800D-230V)	4,50
	CPP022 (12 µF - AYROS1200D-230V)	4,00
17	CAB044 (orange)	2,50
18	CAB041 (black)	2,50
19	MCR013	2,50
20	172358	22,50
21	CAB084 (2 x 1.5 mm ²)	3,00
22	CAB085 (3 x 0.35 mm ²)	4,00

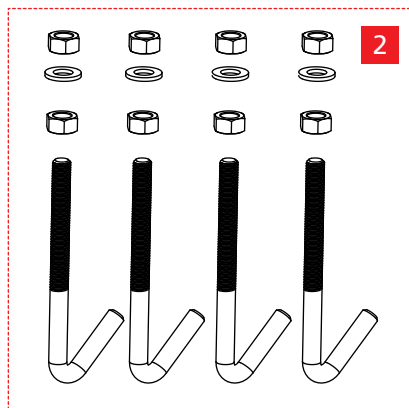
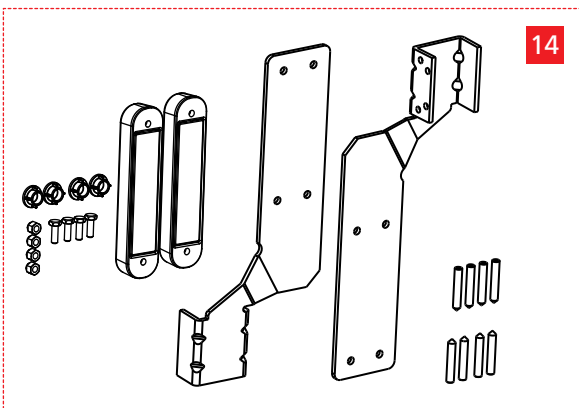
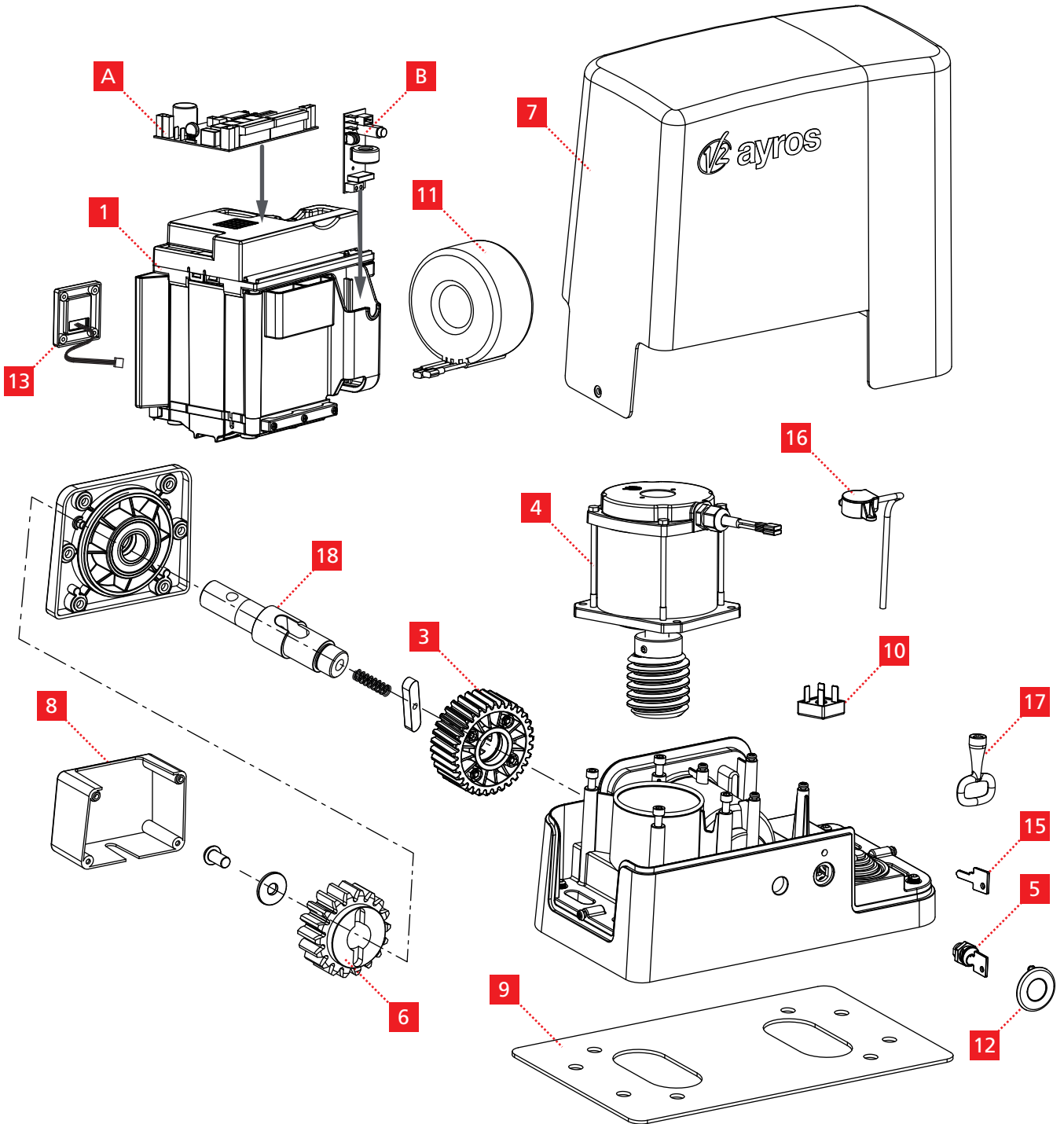
CONTROL UNIT

	CODE	PRICE (€)
A	171266	140,00
B	171259	95,00
C	171260	158,00

PACKAGING

	CODE	PRICE (€)
	ZM237B	17,50

AYROS-24V



	CODE	PRICE (€)
1	171279	12,50
2	172355	20,00
3	172349	20,00
	172361 (AYROS500D-24V-F)	352,00
4	172353 (AYROS600D-24V)	304,00
	172354 (AYROS1000D-24V)	347,00
5	MCR002	10,50
6	MM013B	26,50
7	MP719B	25,50
8	MP456B	2,50
9	MS136A	13,00
10	SPD004	7,50
	TRA041 (AYROS1000D-230V, AYROS500D-24V-F)	68,50
11	TRA042 (AYROS600D-230V)	57,00
	TRA048 (AYROS1000D-120V)	68,50
	TRA049 (AYROS600D-120V)	57,00
12	MP689B	2,00
13	YSN031	13,50
14	162327	43,50
15	MCR003	3,50
16	162331	19,00
17	MCR013	2,50
18	172358	22,50

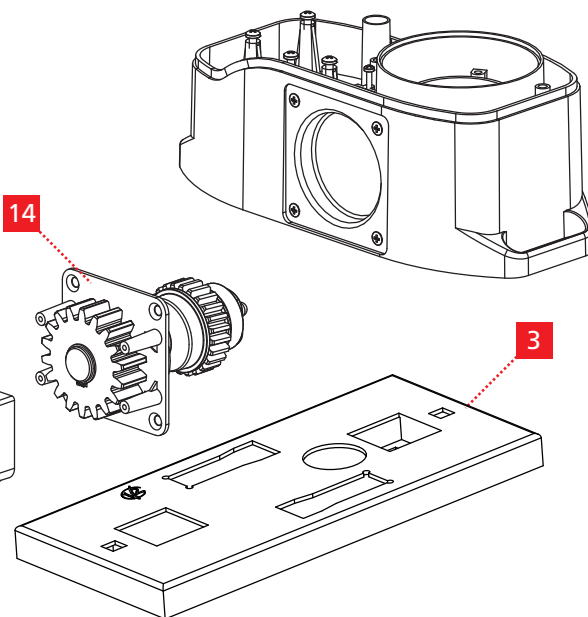
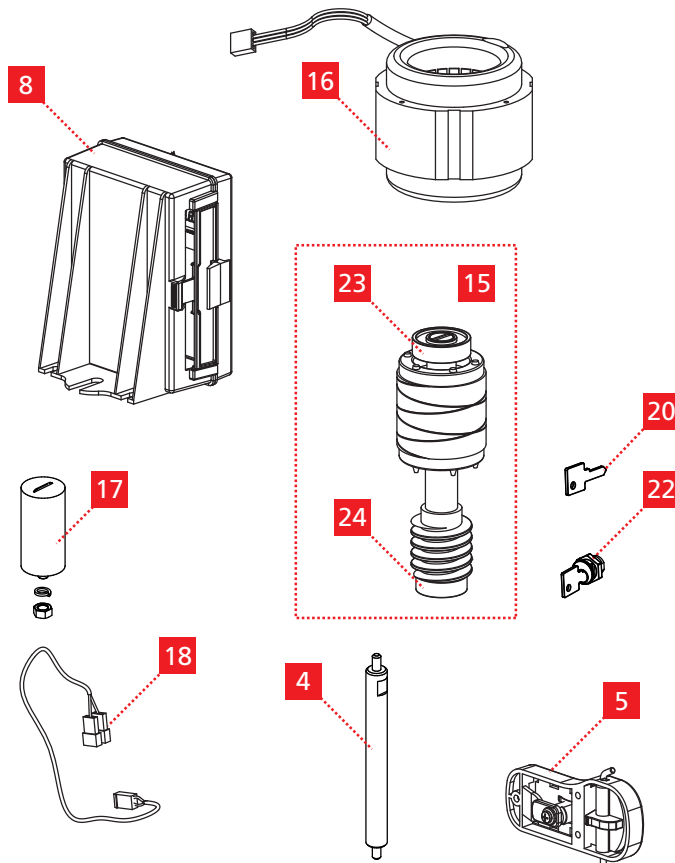
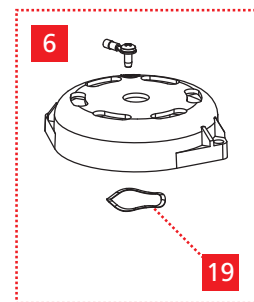
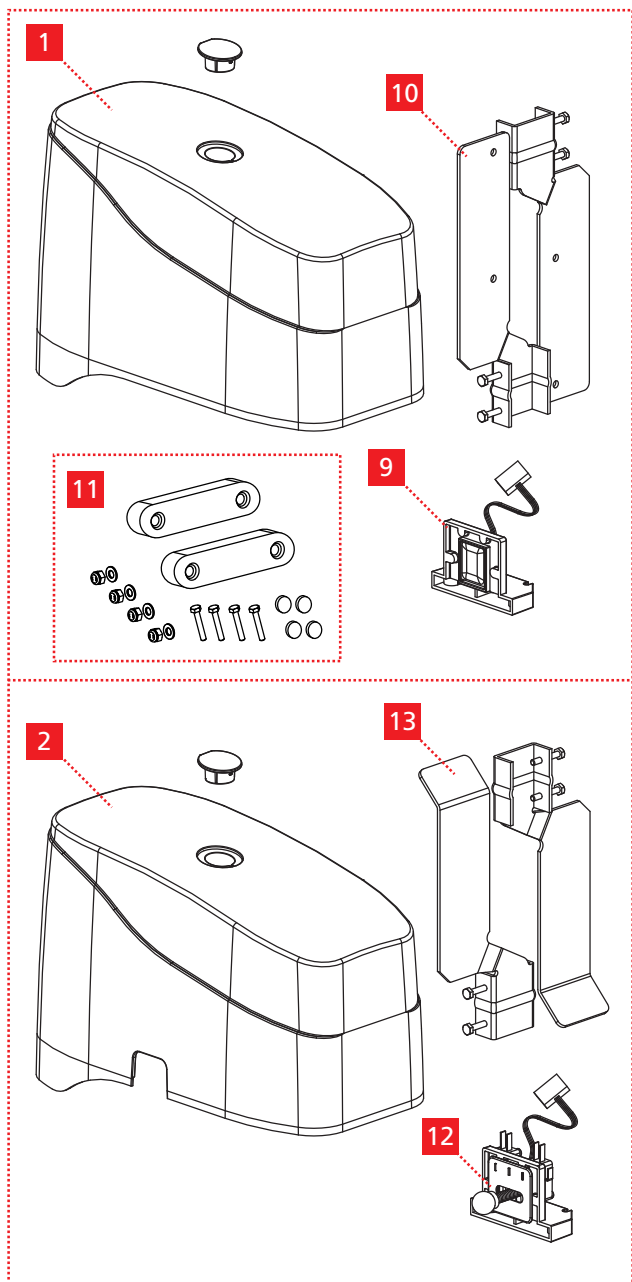
CONTROL UNIT

	Motor MODELS	CODE	PRICE (€)
A	AYROS600D-24V	171268	140,00
	AYROS1000D-24V		
	AYROS500D-24V-F	171290	140,00
B	AYROS600D-24V	171243	13,00
	AYROS1000D-24V		
	AYROS500D-24V-F		

PACKAGING

CODE	PRICE (€)
ZM237B	17,50

GOLD



	CODE	PRICE (€)
1	172302	11,00
2	172307	11,00
3	M5002B	20,00
4	MLL008	4,00
5	172301	17,00
6	YKT022	14,50
7	YKT023	2,00
8	171215	8,00
9	172306	14,50
10	162326	8,50
11	YKT066	10,00
12	172305	19,00
13	YKT032	7,50
14	YKT024 (400/600/800 models)	81,00
	172342 (1200 models)	105,00
	172309 (400 models)	48,00
15	172308 (800 models)	43,50
	172343 (1200 models)	58,50
16	MH019A (400-230V models)	59,00
	MH024A (400-120V models)	64,50
	MLP006 (800-230V models)	66,50
17	MLP004 (800-120V models)	71,00
	MH027A (1200-230V models)	80,50
	CPP022 (400-230V models)	4,00
18	CPP025 (400-120V models)	9,00
	CPP024 (800-230V models)	4,00
	CPP037 (800-120V models)	10,00
19	CPP036 (1200-230V models)	5,00
	CAB041	2,00
20	MCD001	0,50
21	MCR003	3,50
22	MCH007	1,00
23	MCR002	10,50
24	MCD011	1,50
	MCD012	2,50

CONTROL UNIT

Motor MODELS	CODE	PRICE (€)
GOLD400D-230V GOLD400DM-230V GOLD600D-230V GOLD600DM-230V GOLD800D-230V GOLD800DM-230V GOLD1200D-230V	171217	112,00
GOLD800D-120V GOLD800DM-120V GOLD600D-120V GOLD600DM-120V GOLD400D-120V GOLD400DM-120V	171219	118,00
GOLD400A-230V GOLD400AM-230V GOLD600A-230V GOLD600AM-230V GOLD800A-230V GOLD800AM-230V GOLD1200D-230V	171231	75,00
GOLD400A-120V GOLD400AM-120V GOLD600A-120V GOLD600AM-120V GOLD800A-120V GOLD800AM-120V	171234	75,00

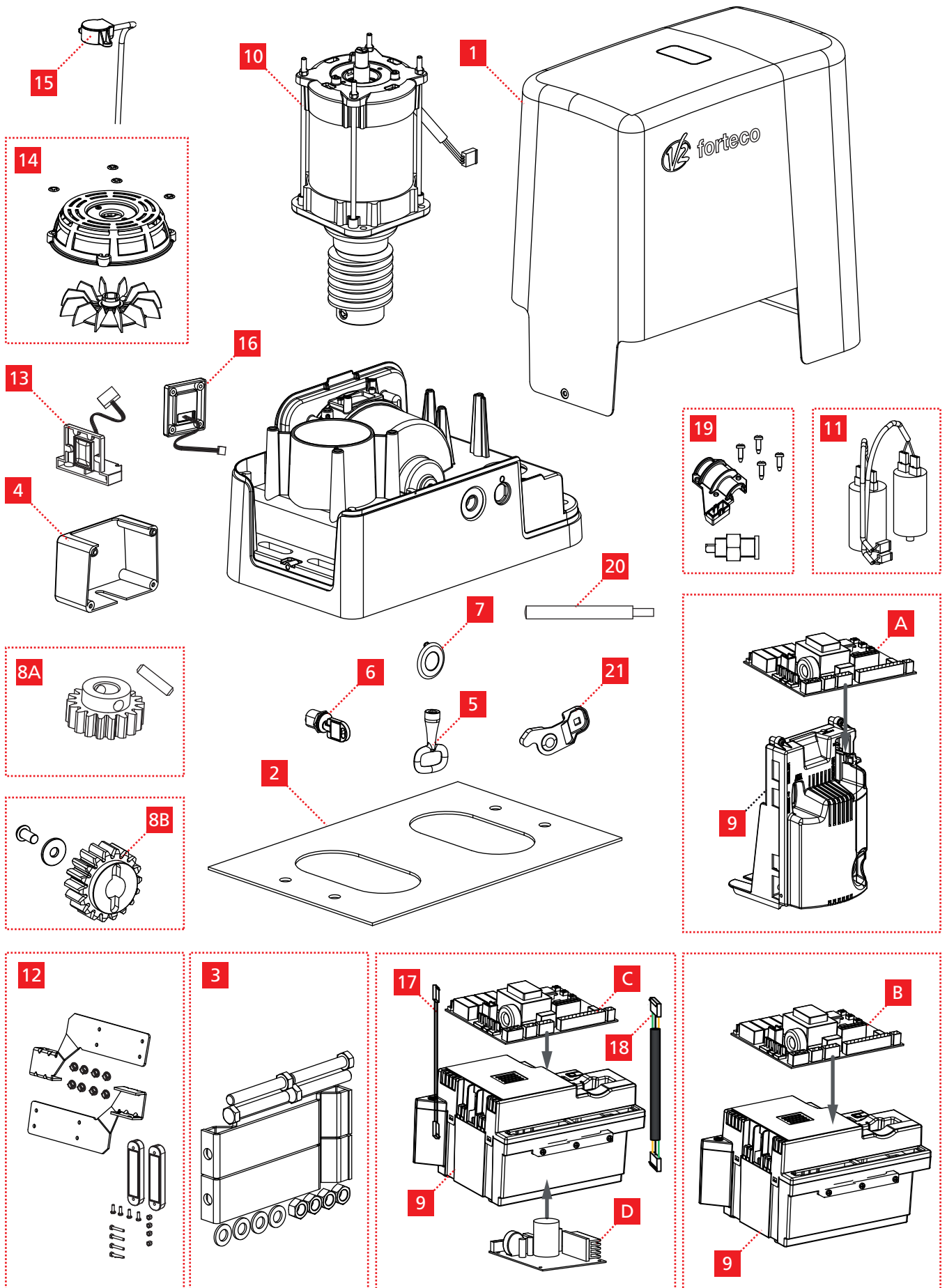
FOR MOTORS MADE BEFORE 01/2007

Motor MODELS	CODE	PRICE (€)
GOLD600D-230V GOLD600DM-230V	171216	112,00
GOLD600A-230V GOLD600AM-230V	171232	109,00
GOLD600A-120V GOLD600AM-120V	171235	109,00

PACKAGING

CODE	PRICE (€)
ZIM162	5,50

FORTECO





CONTROL UNIT

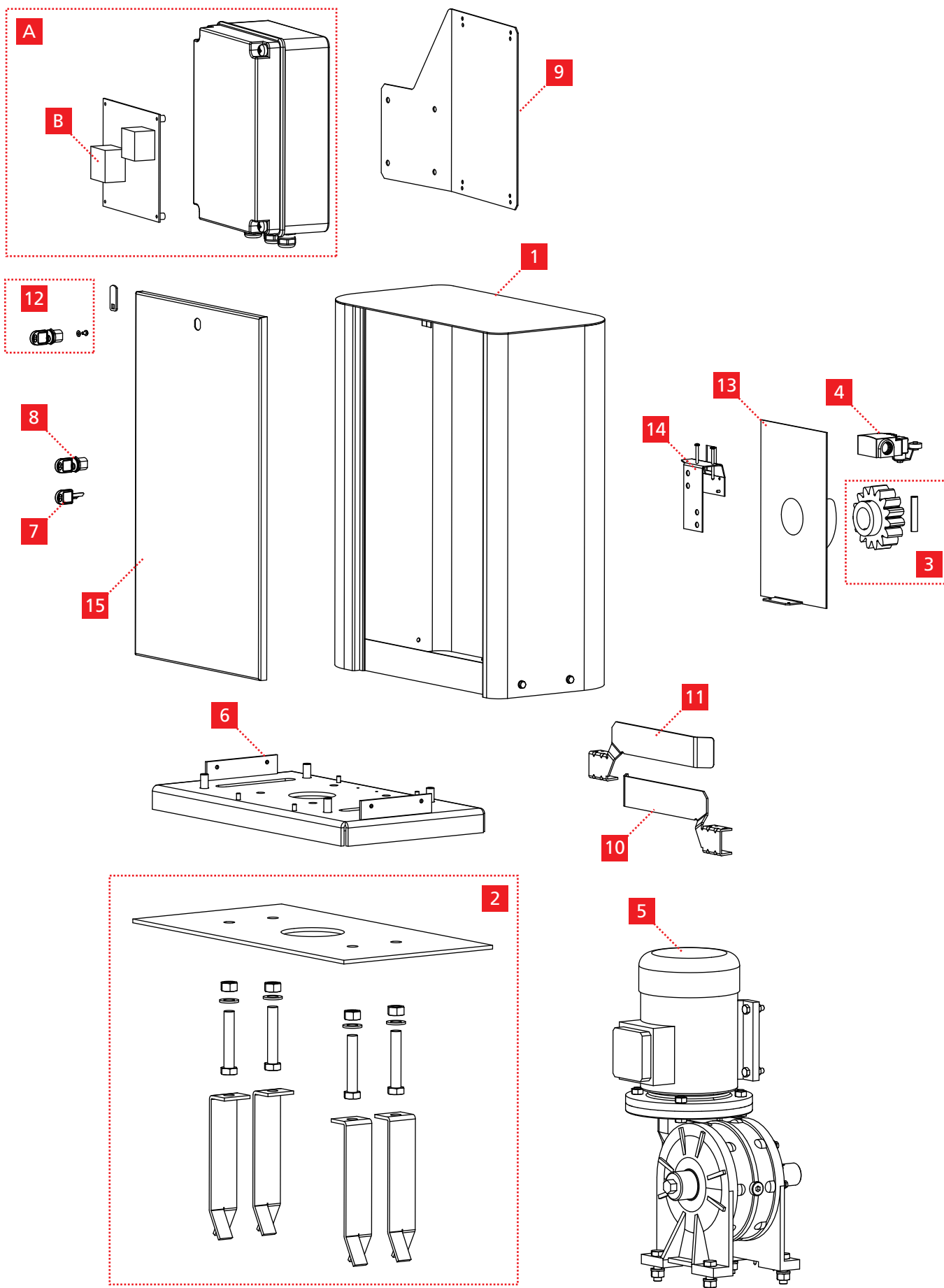
	Motor MODELS	CODE	PRICE (€)
A	FORTECO1200-230V	171238	140,00
	FORTECO1800-230V		
	FORTECO2200-230V		
A	FORTECO2200-400V	171246	32,00
B	FORTECO1800-230V	171266	140,00
	FORTECO2200-230V		
C	FORTECO2500-I	171259	95,00
D	FORTECO2500-I	171260	158,00

PACKAGING

CODE	PRICE (€)
ZM172B	11,00

	CODE	PRICE (€)
1	172347	45,00
	172357 (FORTECO-M)	80,00
2	MS070A	24,50
3	YKT065	32,50
4	MP456B	2,50
5	MCR013	2,50
6	MCR011	13,50
7	MP462B	1,00
8A	172334 (M4 pinion)	35,50
	172335 (M6 pinion)	50,00
8B	MM013B (M4 pinion)	26,50
	MM017B (M6 pinion)	37,50
9	171218	17,50
	171265	18,00
10	172313 (1200-230V models)	222,00
	172315 (1800-230V models)	232,50
	172317 (2200-230V models)	235,00
	172318 (2500-I models)	236,50
11	172319 (1200-230V models)	13,00
	172320 (1800/2200-230V models)	13,50
12	162327	43,50
13	172306	14,50
14	172341	6,00
15	162331	19,00
16	YSN031	13,50
17	CAB084 (2 x 1.5 mm ²)	3,00
18	CAB085 (3 x 0.35 mm ²)	4,00
19	172359	17,50
20	ML024A	3,50
21	MP463B	1,50

HYPERFOR



	CODE	PRICE (€)
1	172323	332,00
2	172322	181,50
3	172324 (M6)	75,00
	172356 (M4)	54,00
4	MCE092	38,50
5	YS059A	2.028,00
6	MS104A	344,00
7	MCR022	2,50
8	MCR011	13,50
9	MS107C	30,00
10	MS110A	23,00
11	MS111A	23,00
12	172360	15,50
13	MS105B	115,00
14	MS106A	40,00
15	MS108B	88,00

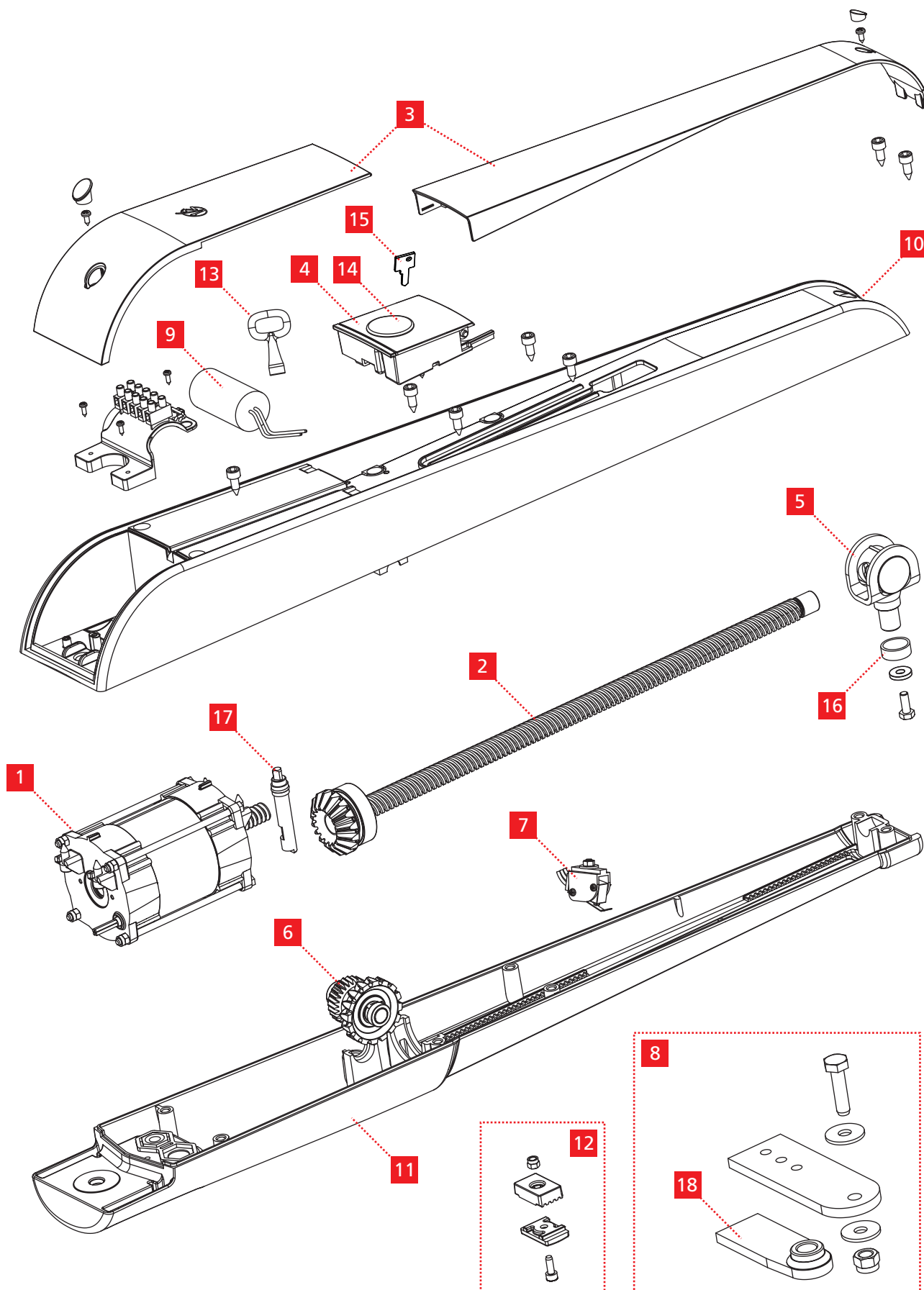
CONTROL UNIT

	Motor MODELS	CODE	PRICE (€)
A	HYPERFOR HYPERFOR4000	171285	560,00
B	HYPERFOR HYPERFOR4000	171287	402,00
A	HYPERFOR4000-I	171284	630,00
B	HYPERFOR4000-I	171286	470,00

PACKAGING

CODE	PRICE (€)
ZIM186	44,00

AXIL

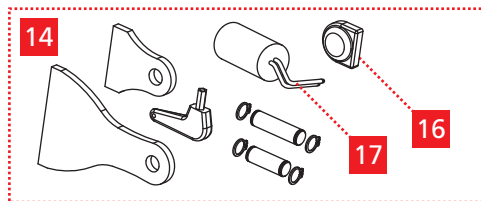
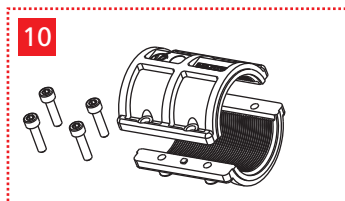
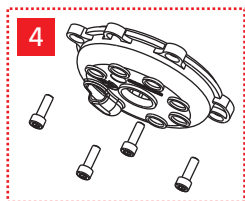
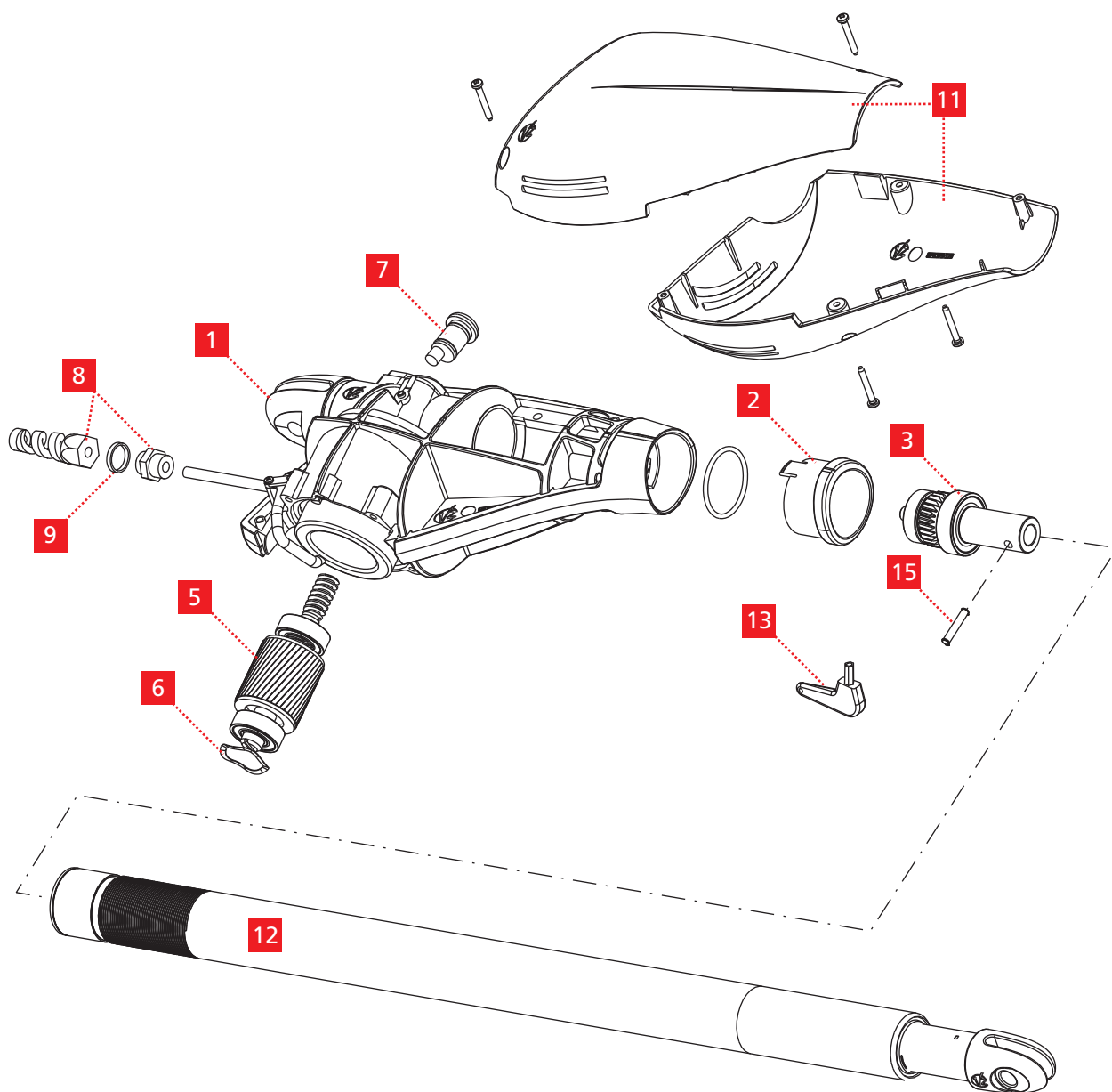


	CODE	PRICE (€)
	172255 (230V models)	109,00
1	172256 (230V models + encoder)	134,50
	172257 (120V models)	111,00
	172258 (24V models)	156,50
	2 172262	34,00
3	172260	18,00
4	172259	29,00
5	172261	36,50
6	172263	52,50
7	172264	17,00
8	172265	26,00
9	CPP027 (230V models)	3,00
	CPP008 (120V models)	4,00
10	MZ082B	67,00
11	MZ081B	47,00
12	162223	12,00
13	MCR013	2,50
14	MP554B	4,00
15	MCR003	3,50
16	MP693A	1,00
17	ML028B	13,00
18	MS083A	11,00

PACKAGING

CODE	PRICE (€)
ZM178B	6,50

CALYPSO

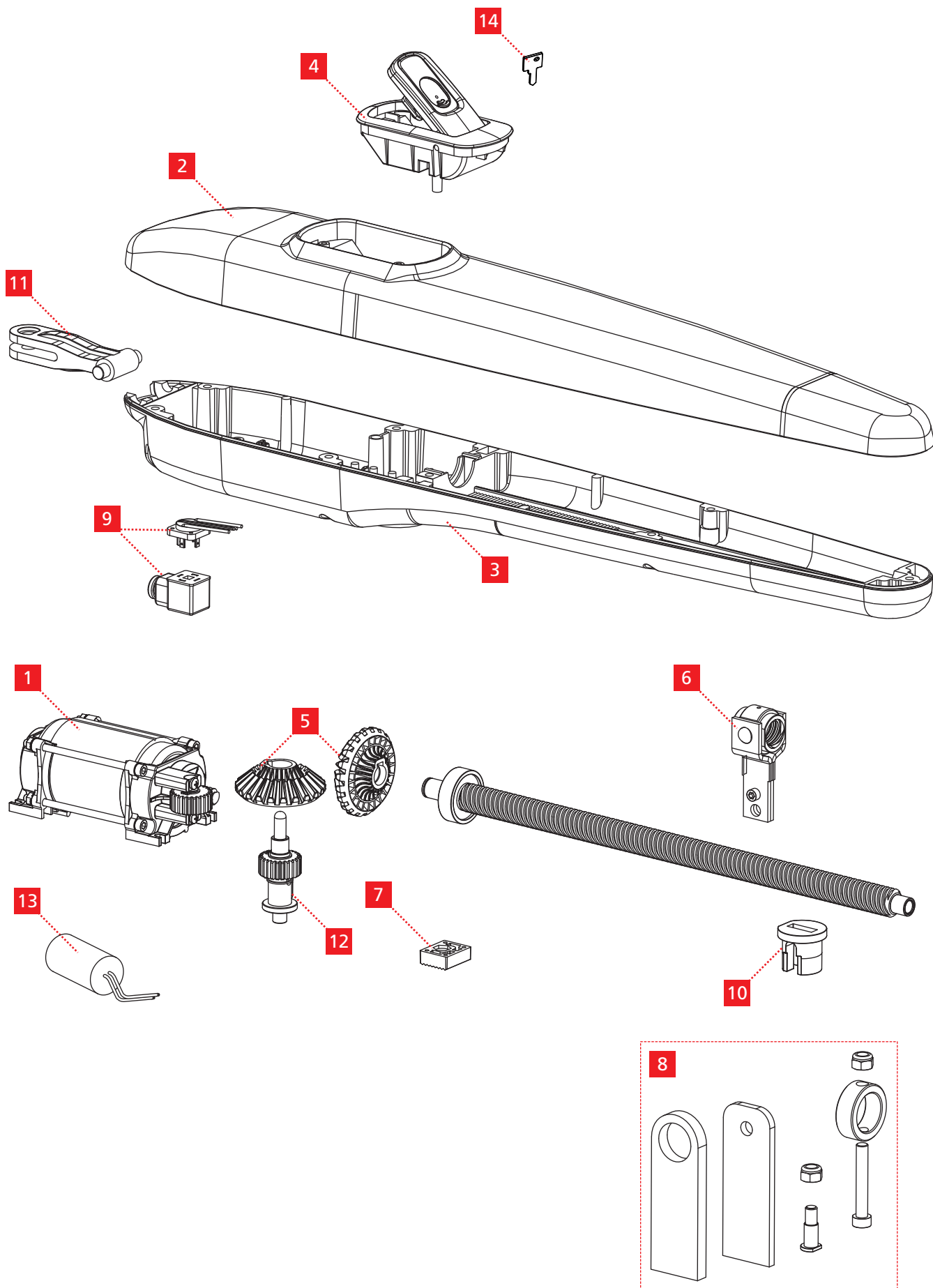


	CODE	PRICE (€)
1	172294 (230V models)	90,00
	172295 (120V models)	100,00
2	MP377B	2,00
3	172216	28,00
4	172217	3,50
5	172215	23,50
6	MCD004	0,50
7	172223	3,00
8	MCE059	2,00
9	MPR144	0,50
10	172221	5,50
11	172296	12,50
	172297 (CALYPSO400 models)	80,00
12	172298 (CALYPSO500 models)	85,00
	172941 (CALYPSO600 models)	90,00
13	MPR017	2,50
14	YKT042 (230V models)	14,00
	YKT046 (120V models)	16,00
15	172283	2,50
16	MP044B	0,50
17	CPP001 (230V models)	3,00
	CPP004 (120V models)	9,50

PACKAGING

	CODE	PRICE (€)
	ZM198B (carton box for 2 motors CALYPSO400)	7,50
	ZIM199 (polystyrene inserts for 2 motors CALYPSO400)	4,00
	ZM168B (for 1 motor CALYPSO500)	7,50

BINGO

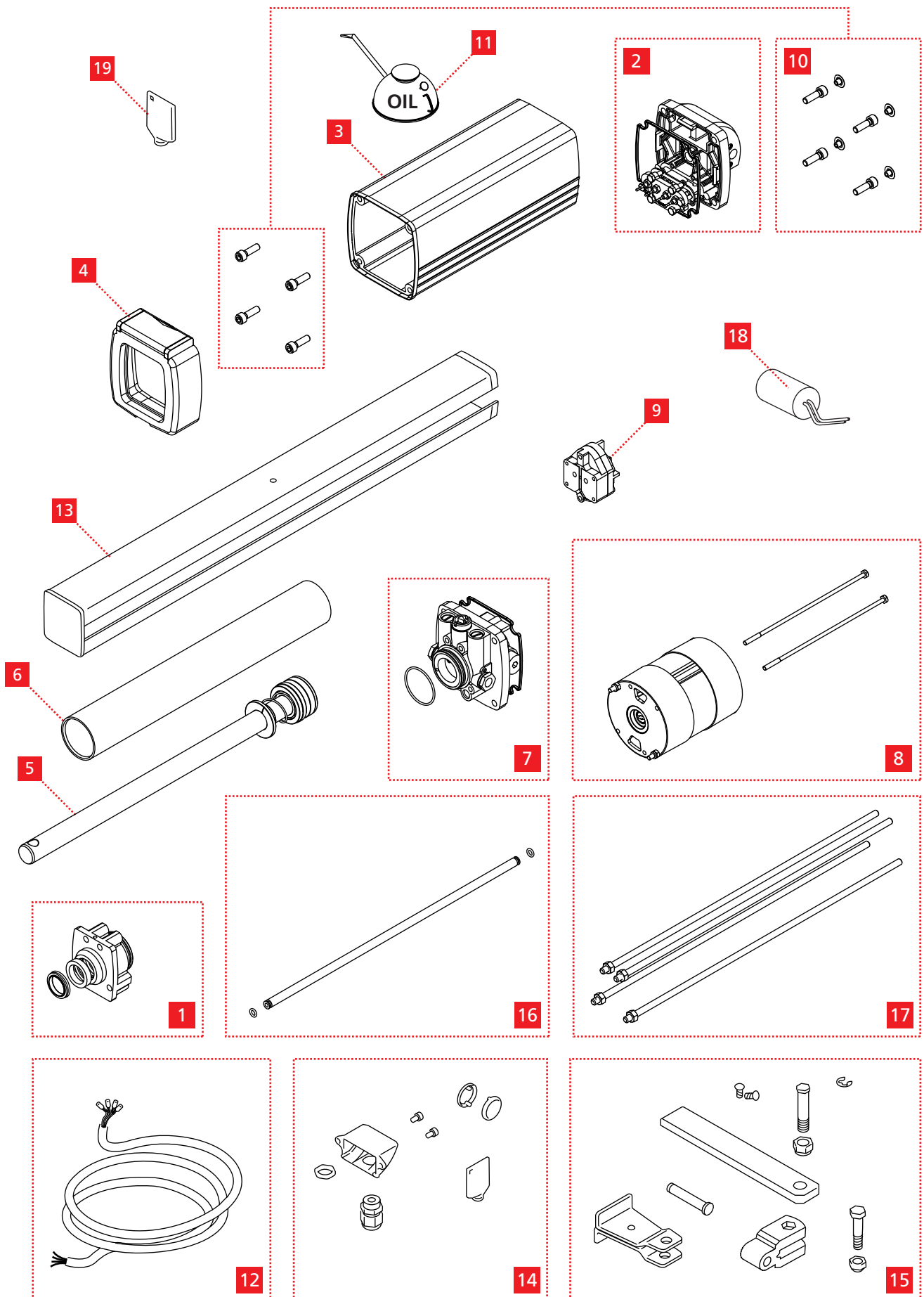


	CODE	PRICE (€)
	172235 (230V models)	170,50
1	172240 (120V models)	160,50
	172236 (24V models)	210,50
2	MZ045B (BINGO400 models)	59,50
	MZ047B (BINGO500 models)	64,50
3	MZ044B (BINGO400 models)	59,50
	MZ046B (BINGO500 models)	63,50
4	172248	37,50
5	172249	8,00
6	172212	63,50
7	MAZ011	4,50
8	172250	58,50
9	172251	17,00
10	MAZ012	5,00
11	MZ048B	11,00
12	172282	44,00
13	CPP001 (230V models)	3,00
	CPP009 (120V models)	4,00
14	MCR027	2,50

PACKAGING

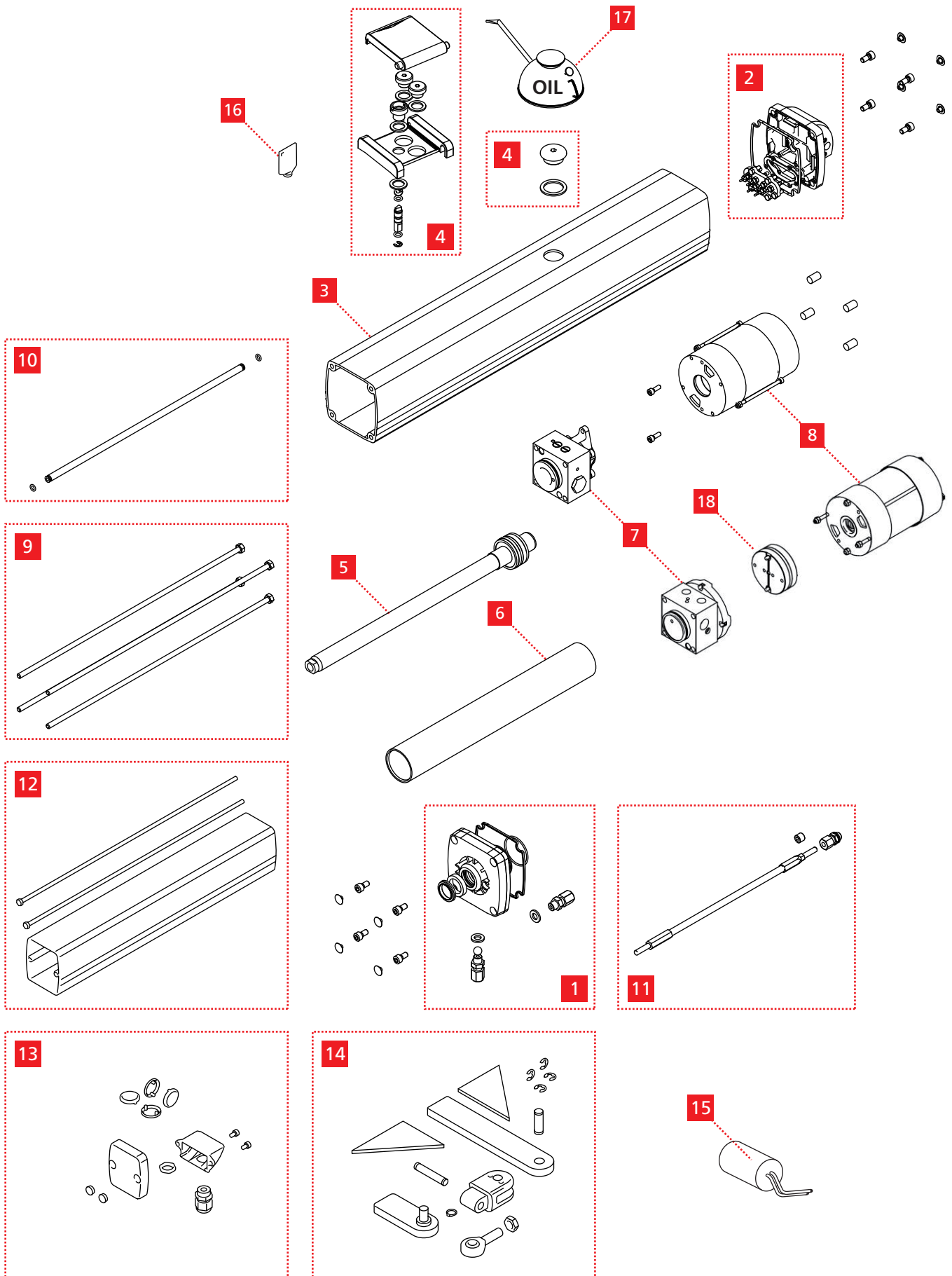
	CODE	PRICE (€)
	ZM109B	6,50

LYCOS



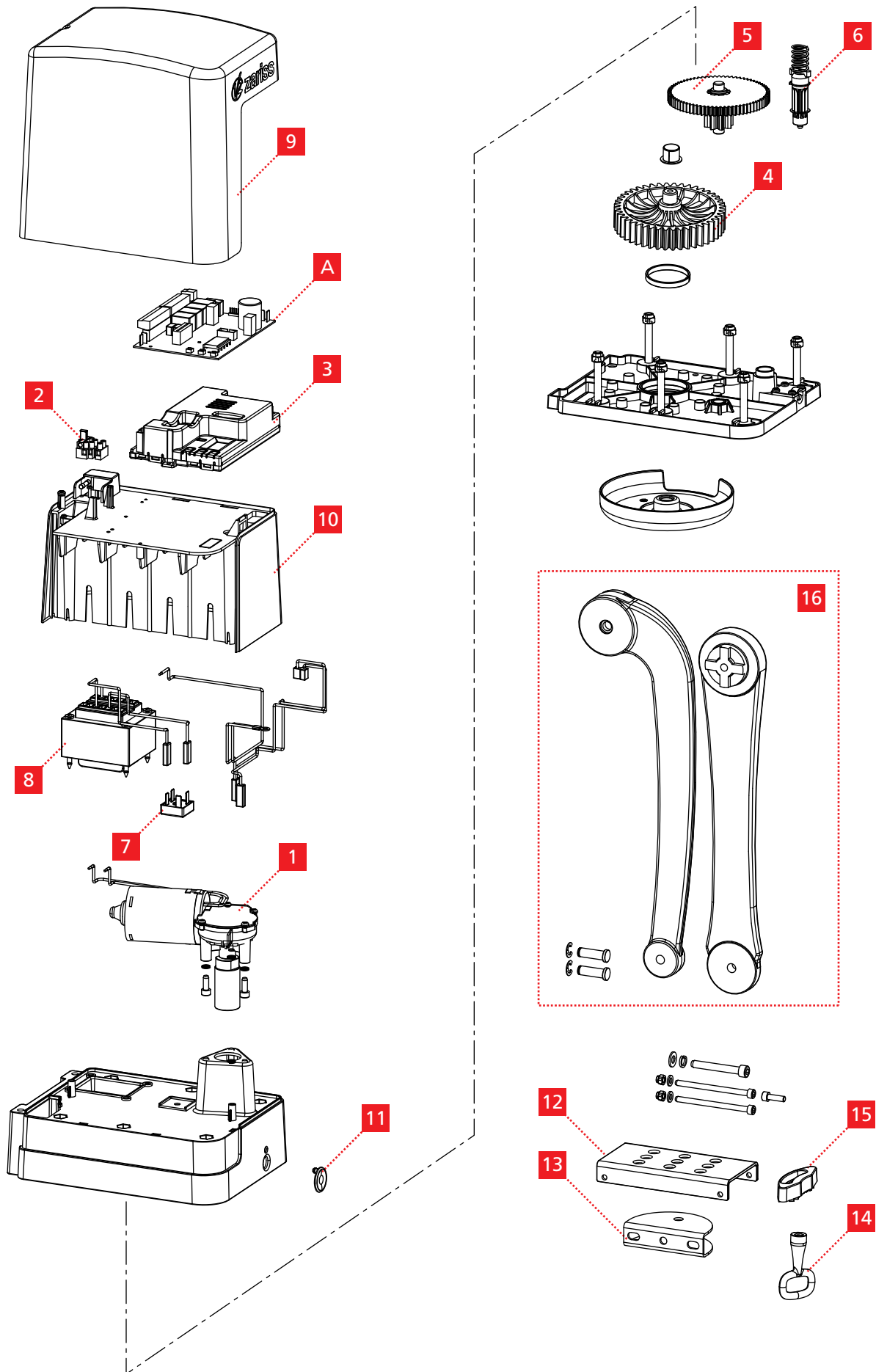
	CODE	PRICE (€)
1	172928	55,00
2	172929	80,00
3	172930	31,50
4	172931	7,50
5	172932	100,50
6	172933	33,00
7	172934 (LYCOS-L)	215,00
	172935 (LYCOS-R)	214,00
8	MLH022	225,00
9	172936	170,00
10	YKT117	18,50
11	172290 (5 LITRE)	214,00
12	CAB109	11,50
13	172937	36,50
14	YKT118	13,00
15	172299	50,00
16	172938	19,00
17	172939	11,00
18	CPP048	7,00
19	MCR025	5,00

URSUS



	CODE	PRICE (€)
	172902 (URSUS-A31, URSUS-A41)	114,00
1	172903 (URSUS-A33, URSUS-A43)	140,50
	172904 (URSUS-31)	86,00
2	172289	82,00
	172905 (URSUS-31, URSUS-A31)	20,50
3	172906 (URSUS-A33)	80,00
	172907 (URSUS-A41)	95,00
	172908 (URSUS-A43)	95,00
4	172909 (URSUS-31, URSUS-A31, URSUS-A41)	12,00
	172927 (URSUS-A33, URSUS-A43)	73,50
	172910 (URSUS-A31, URSUS-A33)	96,00
5	172911 (URSUS-31)	84,00
	172912 (URSUS-A41, URSUS-A43)	104,00
6	172913 (URSUS-31, URSUS-A31, URSUS-A33)	25,50
	172914 (URSUS-A41, URSUS-A43)	31,00
	172915 (URSUS-31, URSUS-A31, URSUS-A41)	268,00
7	172916 (URSUS-A33, URSUS-A43)	268,50
	172953 (URSUS-A33LB, URSUS-A43LB)	225,00
8	172917	179,50
	172954 (URSUS-A33LB, URSUS-A43LB)	172,00
9	172918 (URSUS-31, URSUS-A31, URSUS-A33)	11,50
	172919 (URSUS-A41, URSUS-A43)	14,00
10	172920 (URSUS-31, URSUS-A31, URSUS-A33)	19,00
	172921 (URSUS-A41, URSUS-A43)	28,50
11	172922 (URSUS-31, URSUS-A31, URSUS-A33)	53,00
	172923 (URSUS-A41, URSUS-A43)	54,00
12	172924 (URSUS-31, URSUS-A31, URSUS-A33)	31,00
	172925 (URSUS-A41, URSUS-A43)	39,00
13	172926	16,50
14	172291 (URSUS-31, URSUS-A31, URSUS-A33)	80,00
	172292 (URSUS-A41, URSUS-A43)	80,00
15	CPP048	7,00
16	MCR025	5,00
17	172290 (5 LITRE)	214,00
18	172955 (URSUS-A33LB, URSUS-A43LB)	138,00

ZARISS



	CODE	PRICE (€)
1	172284	77,50
2	AKA007	3,50
3	171257	8,00
4	172285	35,50
5	172286	22,50
6	172287	22,50
7	SPD006	5,00
8	TRA038	43,00
9	MP607B	23,00
10	MP606B	19,00
11	MP603B	0,50
12	MS113A	4,50
13	MS112B	4,50
14	MCR013	2,50
15	MZ091B	4,50
16	172288	52,00

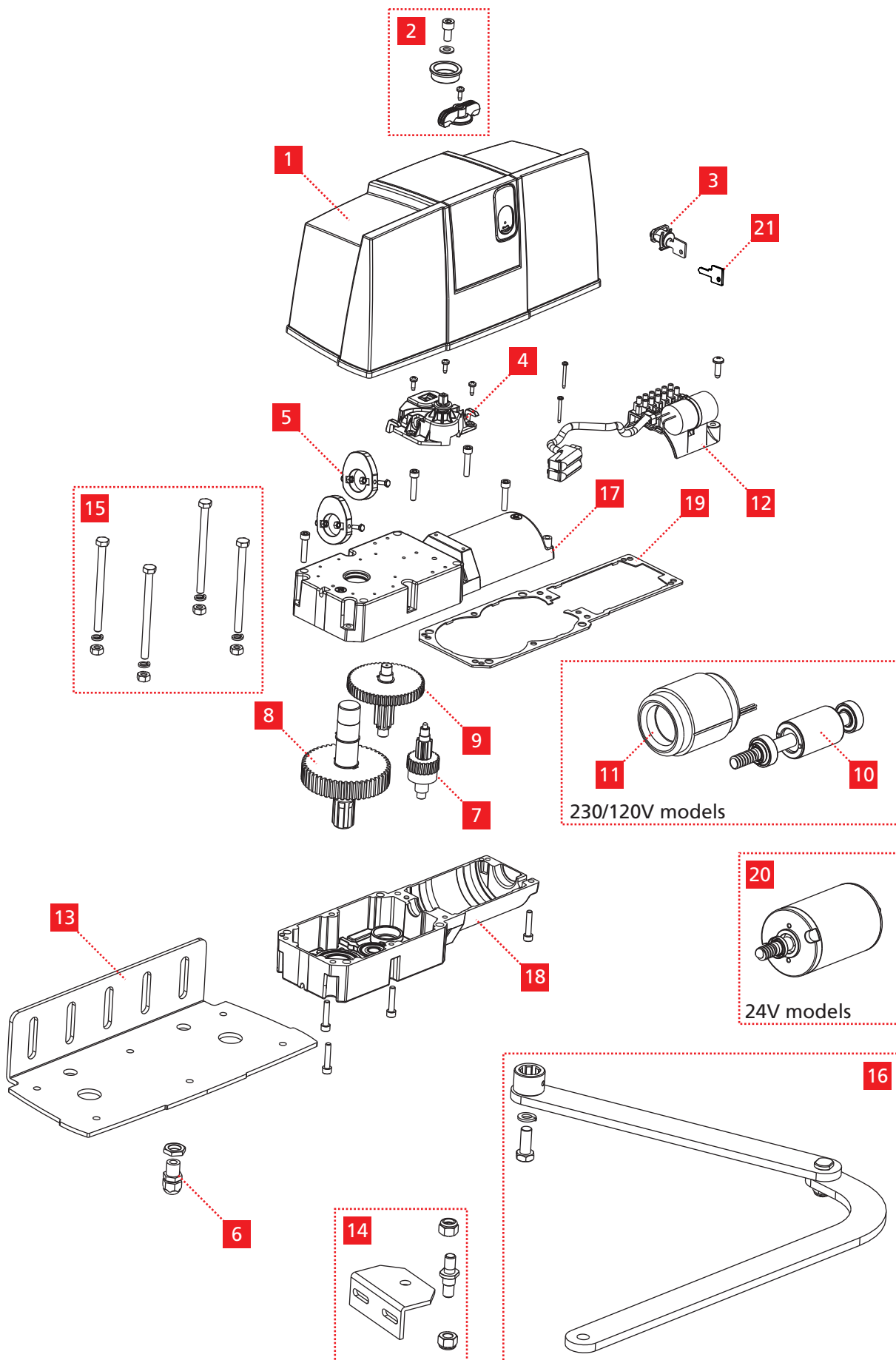
CONTROL UNIT

	CODE	PRICE (€)
A	171253	140,00

PACKAGING

	CODE	PRICE (€)
	ZM214B (2 motors)	22,00
	ZM239B (1 motor)	23,50

BLITZ

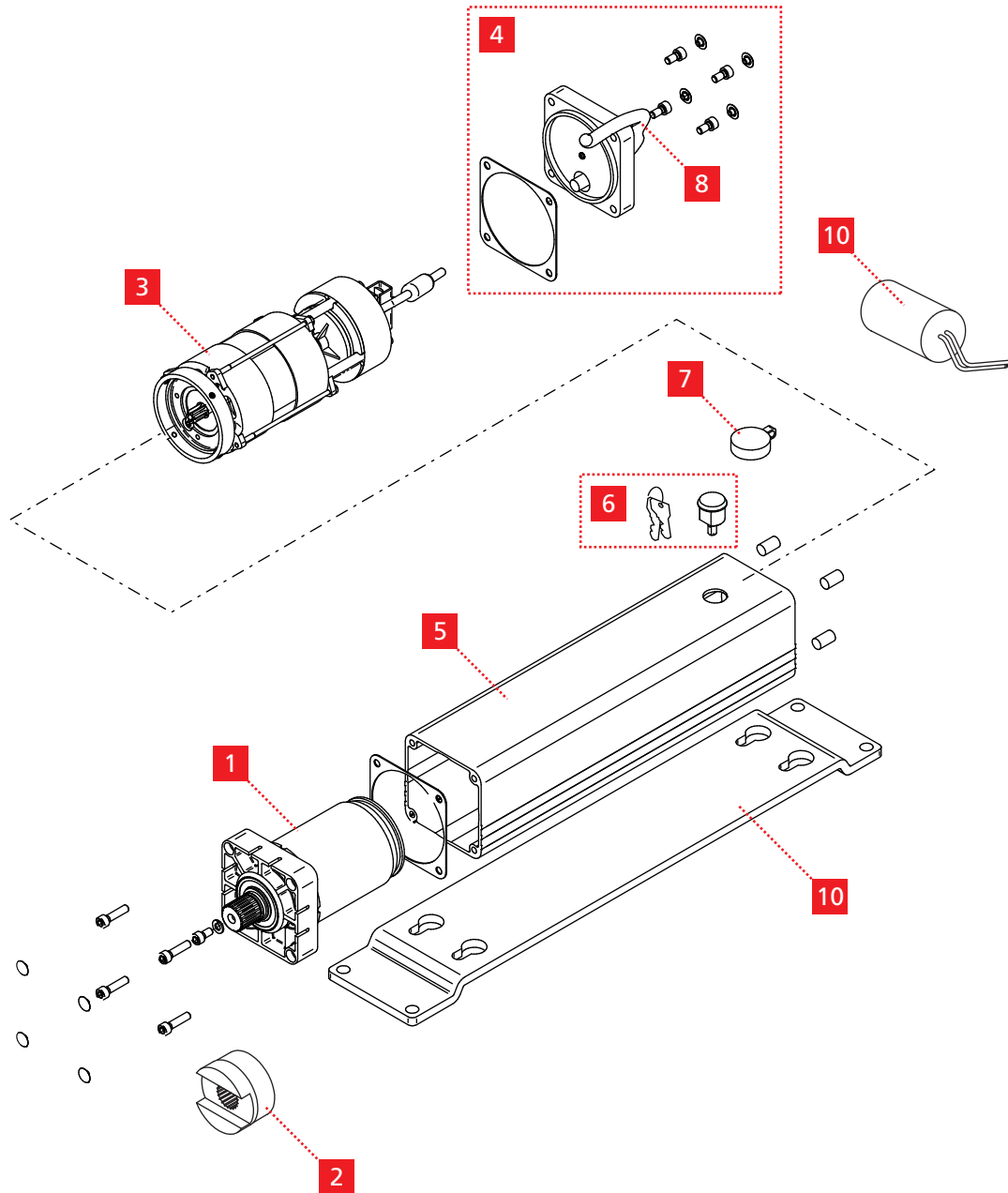


	CODE	PRICE (€)
1	172940	48,50
2	172225	10,00
3	MCR002	10,50
4	172226	24,50
5	172414	5,00
6	172227	4,00
7	172412	57,00
8	172232	55,00
9	172411	31,50
10	172409	39,50
11	MLP002 (230V models)	53,50
	MLP005 (120V models)	44,50
12	CAB031 (230V models)	23,00
	CAB032 (120V models)	22,50
	CAB030 (24V models)	22,50
13	MSM029	43,00
14	172228	24,50
15	172229	9,00
16	172230	93,00
17	172231	47,50
18	172233	44,50
19	MPR026	1,50
20	172415 (24V models)	153,50
21	MCR027	2,50

PACKAGING

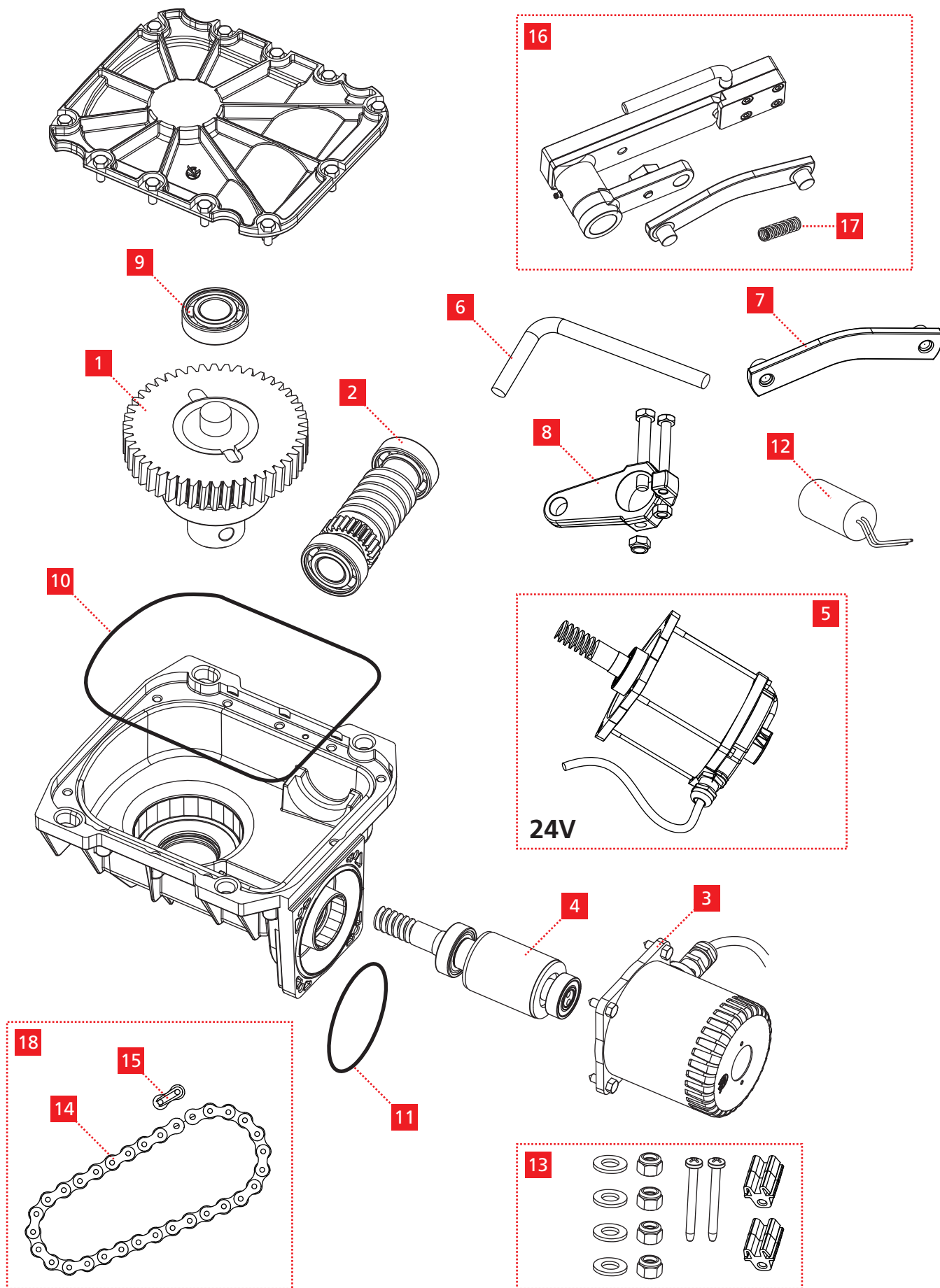
	CODE	PRICE (€)
	ZM108B	6,50

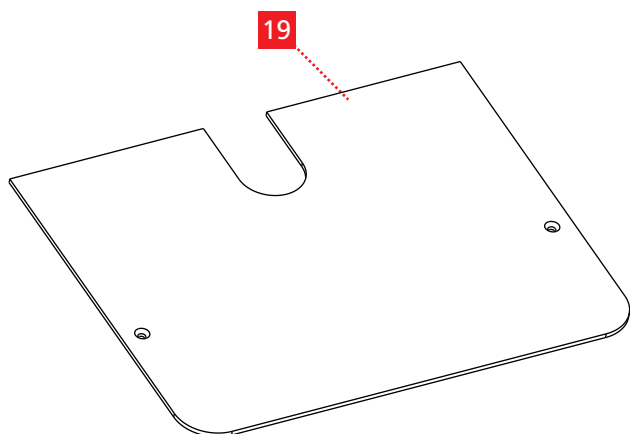
CICLON



	CODE	PRICE (€)
1	172942	318,00
2	172943	58,00
3	172944	345,00
4	172945	85,00
5	172946	36,00
6	172947	34,00
7	172948	3,00
8	172949	12,00
9	172950	78,00
10	172951	9,00

VULCAN



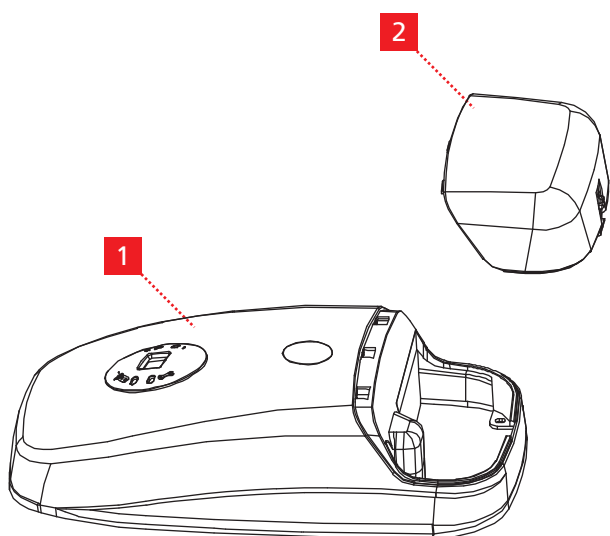


	CODE	PRICE (€)
1	172241	112,50
2	172242	71,50
	172244 (230V models)	119,00
3	172901 (230V models - 7m cable)	145,50
	172247 (120V models)	123,50
4	172243 (230V/120V models)	48,00
5	172245 (24V models)	257,50
6	MA032A	15,50
7	MS069A	25,50
8	172253	30,00
9	MCD019	7,50
10	MCH010	1,50
11	MCH011	1,00
12	CPP008 (230V models)	4,00
	CPP026 (120V models)	8,50
13	YKT106	6,00
14	MCT005	37,50
15	MCT006	9,50
16	162221	108,00
17	MG039A	3,00
18	172952	47,00
19	MS172A	49,00

PACKAGING

	CODE	PRICE (€)
	ZM128B	5,00

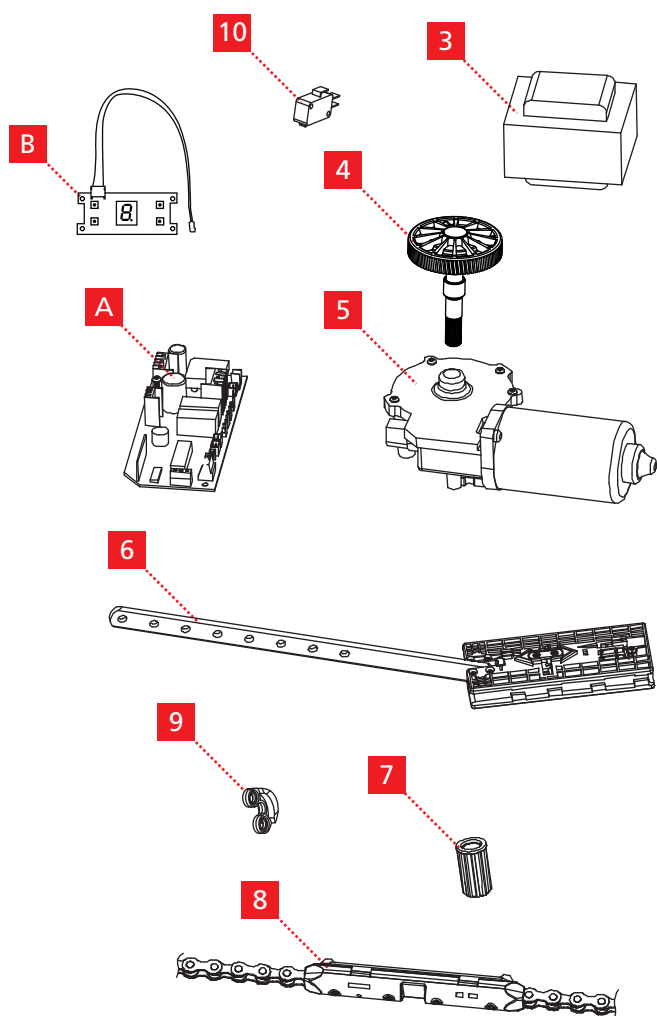
AZIMUT



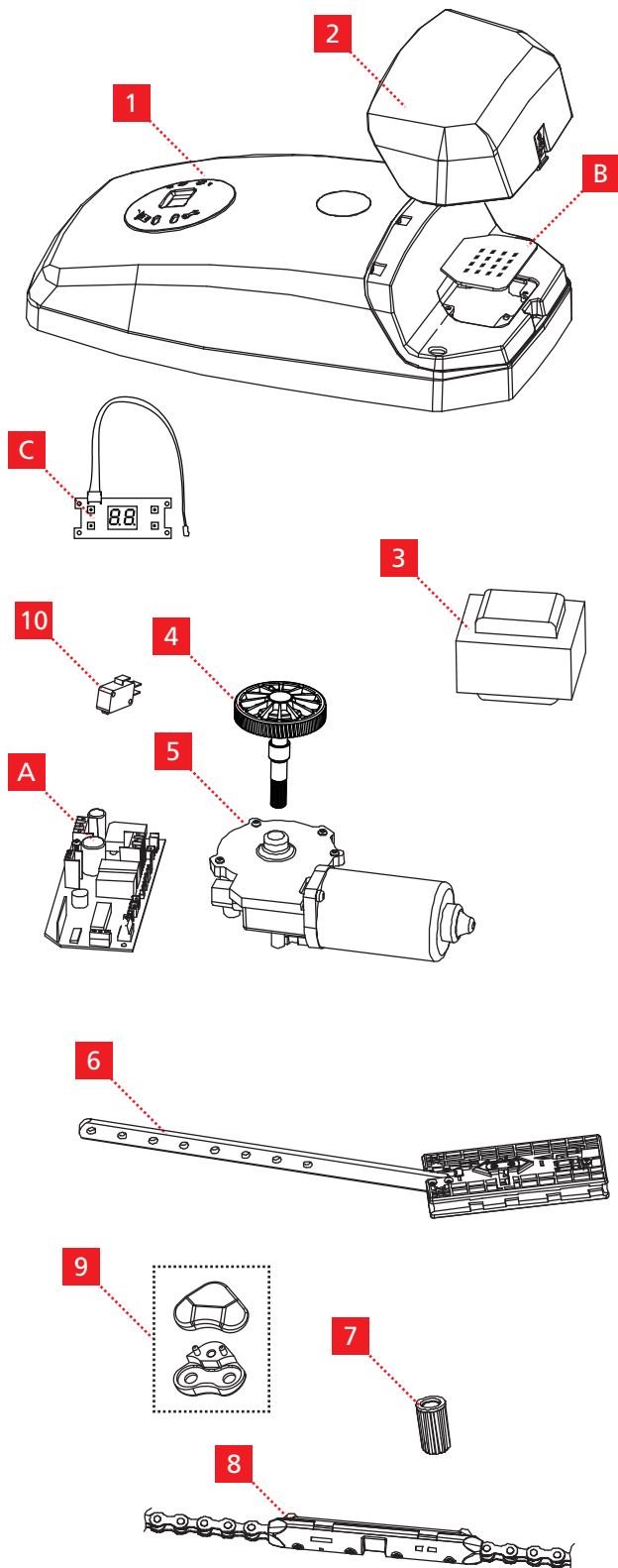
	CODE	PRICE (€)
1	172539	5,50
2	172525	5,00
3	172527	20,00
4	172542	10,00
5	172528	46,00
6	172529	7,50
7	172523	3,00
8	172530	3,00
9	172532	0,50
10	INT027	2,00

CONTROL UNIT

	CODE	PRICE (€)
A	172526	126,00
B	172541 (display)	23,50



JEDI

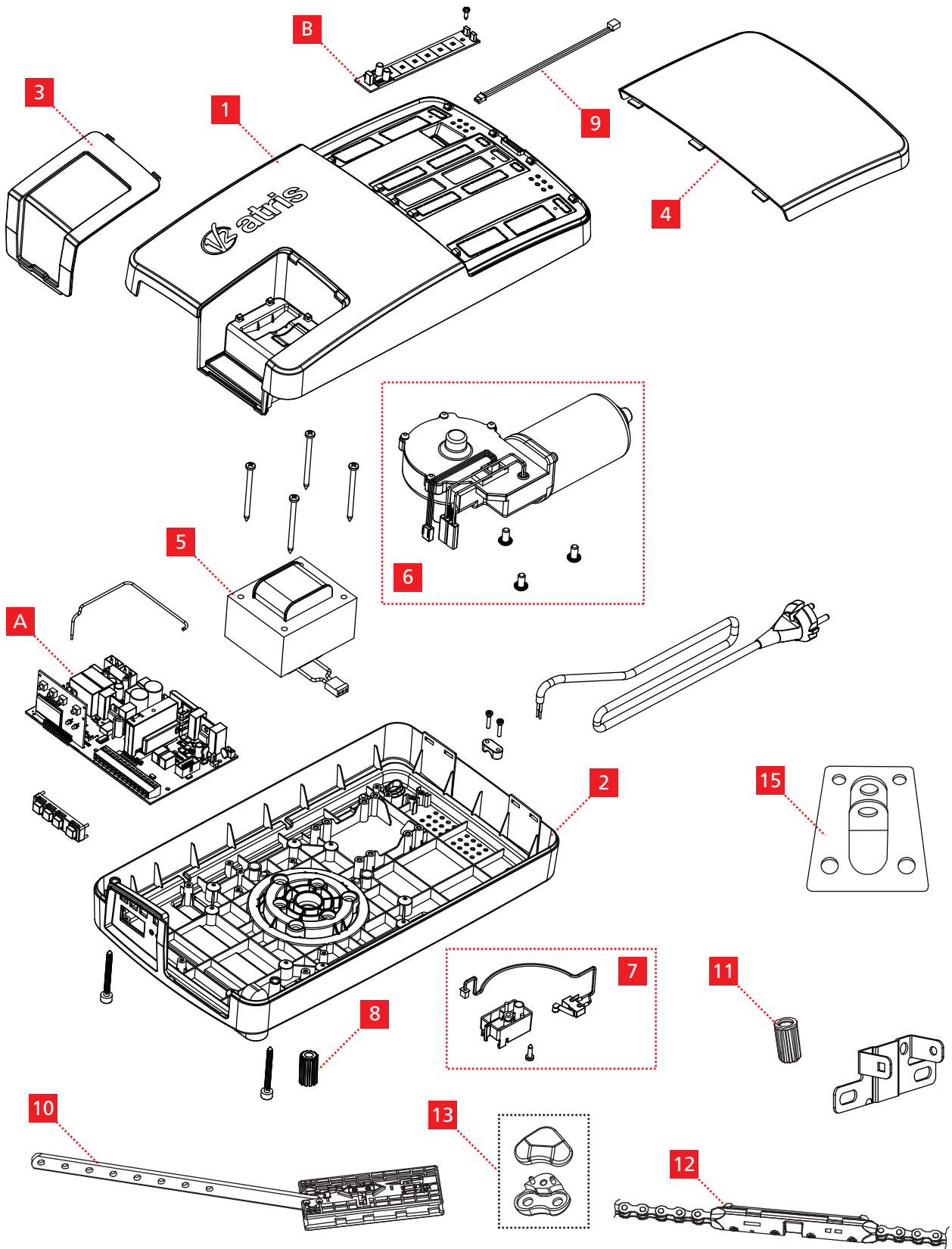


	CODE	PRICE (€)
1	172538	8,00
2	172517	5,00
3	172519 (JEDI-1000)	35,00
	172536 (JEDI-700)	52,50
4	172543 (JEDI-1000)	10,00
	172542 (JEDI-700)	10,00
5	172520	94,50
6	172521	10,50
7	172523	3,00
8	172522	3,00
9	172533	0,50
10	INT027	2,00

CONTROL UNIT

	CODE	PRICE (€)
A	172518	145,00
B	172531 (led)	16,50
C	172540 (display)	23,50

ATRIS

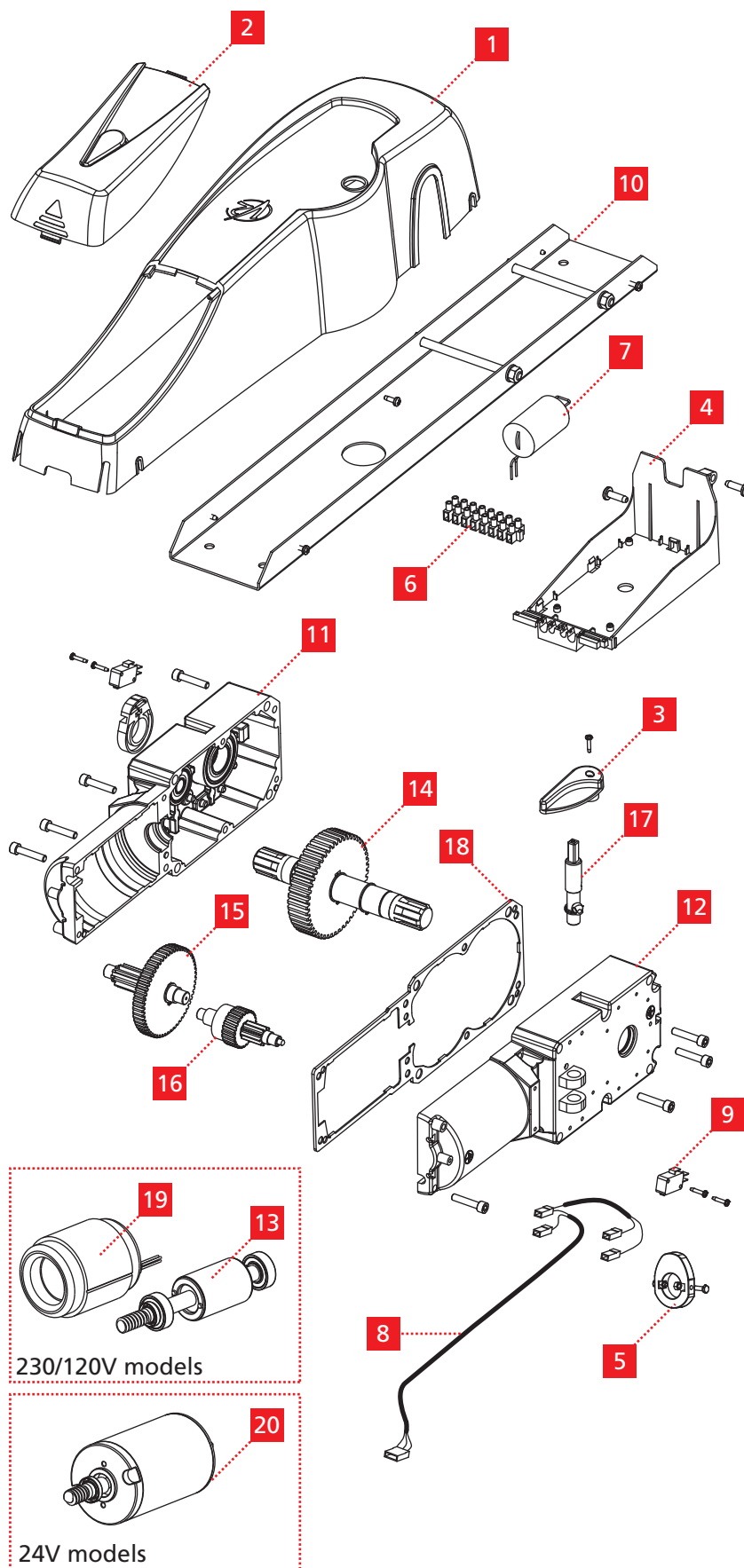


	CODE	PRICE (€)
1	MP859A	11,00
2	MP860A	15,00
3	MP861A	2,00
4	MP864A	3,50
5	172548 (ATRIS700)	38,00
	172549 (ATRIS1000)	50,00
6	172545 (ATRIS700)	53,00
	172546 (ATRIS1000)	75,00
7	172547	8,00
8	MM031A	3,00
9	CA112B	2,50
10	172521	10,50
11	172523	3,00
12	172522	3,00
13	172533	0,50
14	172553	4,00
15	172552	4,00

CONTROL UNIT

	CODE	PRICE (€)
A	171288	140,00
B	171289	15,00

VEGA



	CODE	PRICE (€)
1	172401	20,50
2	172402	7,00
3	172404	3,00
4	172403	7,50
5	172414	5,00
6	AKA004	4,00
7	CPP020 (230V models)	3,50
	CPP017 (230V models)	8,50
8	CAB040	5,00
9	172405	5,50
10	172406	53,00
11	172408	49,50
12	172407	70,50
13	172409 (230V/120V models)	39,50
14	172410	54,00
15	172411	31,50
16	172412	57,00
17	172413	26,50
18	MPR026	1,50
19	MLP002 (230V models)	53,50
	MLP005 (120V models)	44,50
20	172415	153,50

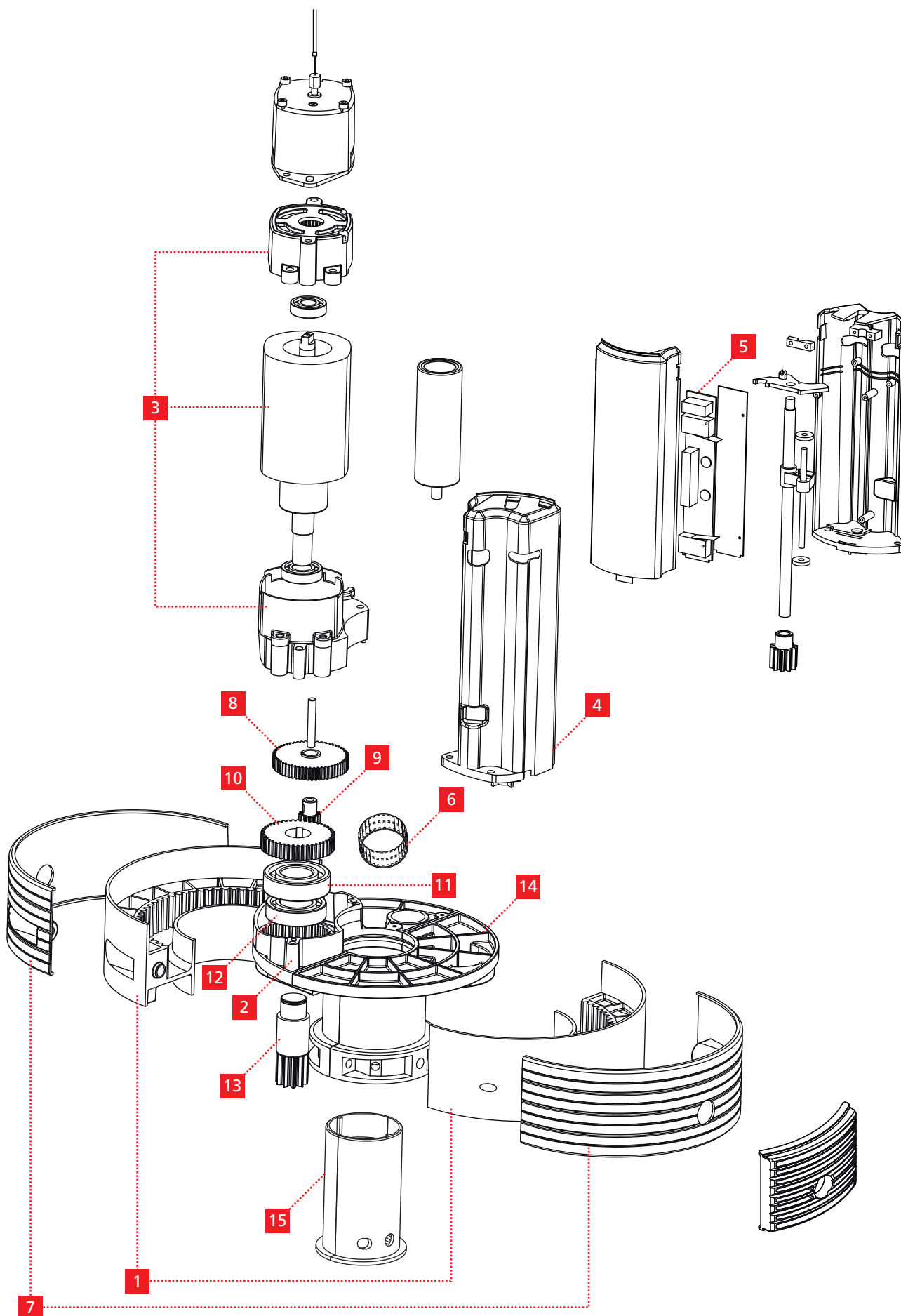
CONTROL UNIT

Motor MODELS	CODE	PRICE (€)
VEGA-C 230V	171222	118,00

PACKAGING

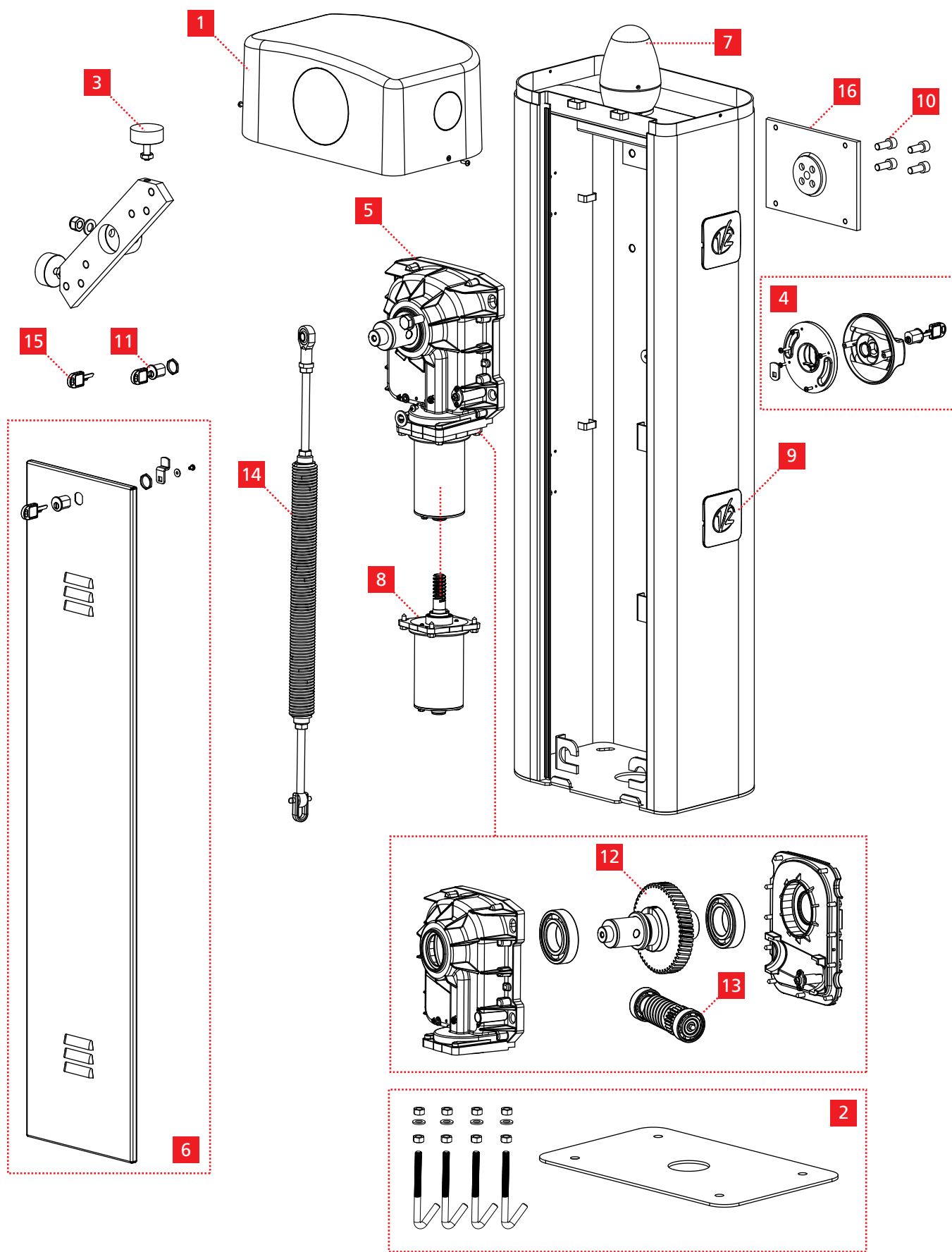
CODE	PRICE (€)
ZM107B	7,50

ARGO



	CODE	PRICE (€)
1	172601 (ARGO 160)	60,00
	172602 (ARGO 170, ARGO 300)	108,00
2	172603 (ARGO 160)	47,00
	172604 (ARGO 170, ARGO 300)	59,00
3	172605 (ARGO 160)	103,00
	172606 (ARGO 170, ARGO 300)	118,00
4	172607 (for motors code 26A012-26A013-26B012-26B013-26B014-26B015)	39,50
	172621 (for motors code 26A017-26A018-26B020-26B021-26B022-26B023)	45,00
5	172608 (for motors code 26A012-26A013-26B012-26B013-26B014-26B015)	20,00
	172622 (for motors code 26A017-26A018-26B020-26B021-26B022-26B023)	25,00
6	172609	20,00
7	172610 (ARGO 160)	5,00
	172611 (ARGO 170, ARGO 300)	7,50
8	172612 (ARGO 160)	4,50
	172613 (ARGO 170, ARGO 300)	12,50
9	172614	3,50
10	172615	10,00
11	172616	7,50
12	172617	5,00
13	172618	12,50
14	172619 (ARGO 160)	24,50
	172620 (ARGO 170, ARGO 300)	39,50
15	162631 (Ø 60/42 ADAPTER)	5,50
	162610 (Ø 60/48 ADAPTER)	5,50
	162611 (Ø 101/76 ADAPTER)	5,50

ZENIA



	CODE	PRICE (€)
1	173601	35,00
2	173621	67,50
3	173603	10,00
4	173604	30,00
5	173606	573,50
6	173605	101,00
7	14B011	22,00
8	173607	168,50
9	MP591A	2,00
10	MVG029	0,50
11	MCR011	13,50
12	173618	135,00
13	173619	105,50
14	163606 (6m boom)	123,50
	163601 (4m boom)	81,50
15	MCR022	2,50
16	MS096D	33,50

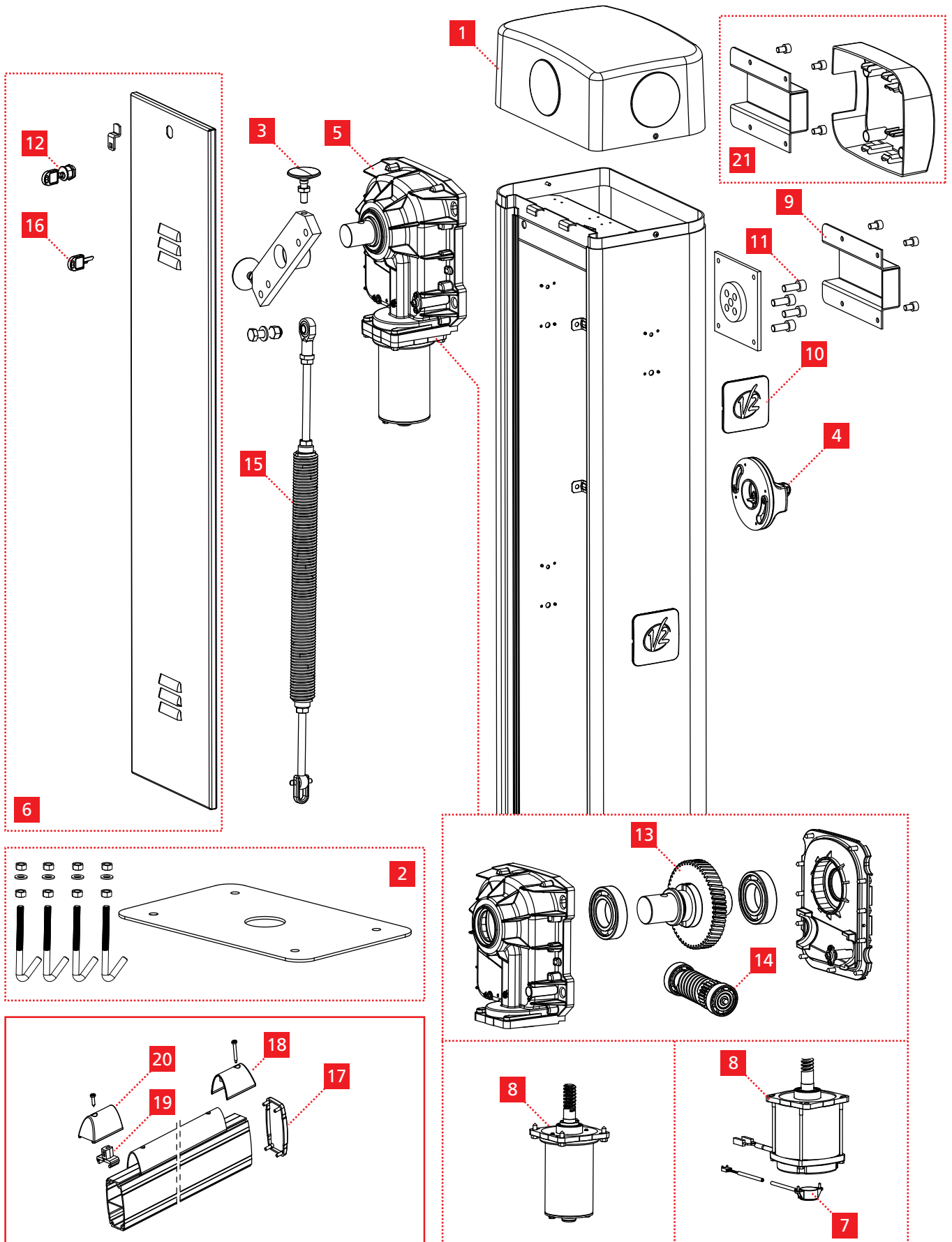
CONTROL UNIT

CODE	PRICE (€)
171255	200,50

PACKAGING

CODE	PRICE (€)
ZIM180	28,00

ZENIA4 - ZENIA6



	CODE	PRICE (€)
1	173611 (ZENIA6)	122,00
	173612 (ZENIA4)	133,50
2	173621 (ZENIA6)	67,50
	173608 (ZENIA4)	61,00
3	173603	10,00
4	173604	30,00
5	173613 (ZENIA6)	591,00
	173615 (ZENIA4)	528,00
6	173605	101,00
7	162215	35,50
8	173616 (ZENIA6)	213,50
	173607 (ZENIA4)	168,50
9	MS096D (ZENIA6)	33,50
	MS128C (ZENIA4)	31,50
10	MP591B	2,50
11	MVG029	0,50
12	MCR011	13,50
13	173618 (ZENIA6)	135,00
	173620 (ZENIA4)	133,00
14	173619	105,50
15	163626 (ZENIA6)	100,00
	163601 (ZENIA4)	81,50
16	MCR022	2,50
17	MP700A (6m boom)	3,00
	MP699A (4m boom)	3,00
18	MP708B	3,00
19	MP789A	3,00
20	MP790A	3,00
21	173609 (ZENIA6)	50,00
	173610 (ZENIA4)	38,50

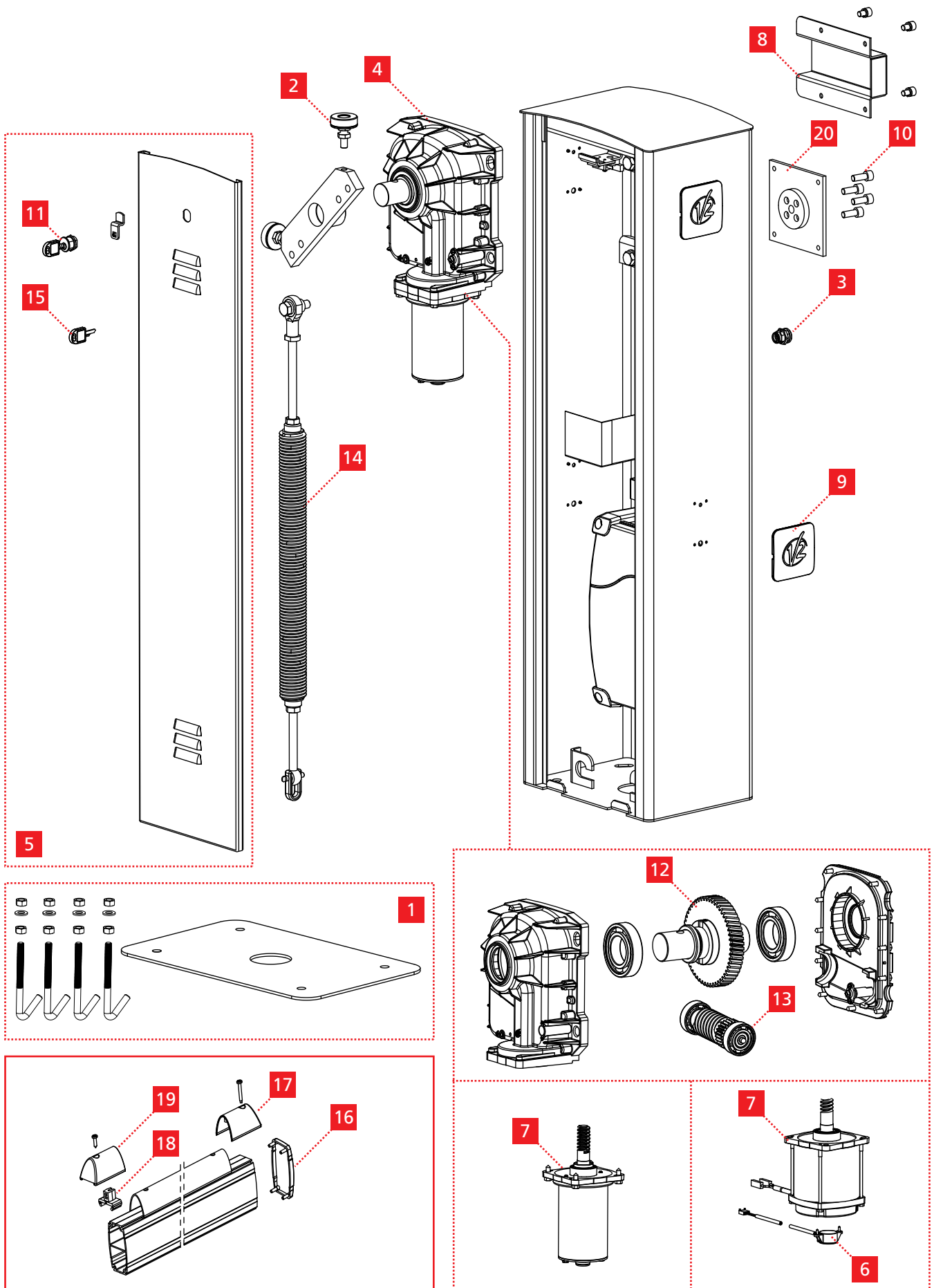
CONTROL UNIT

CODE	PRICE (€)
171255	200,50

PACKAGING

CODE	PRICE (€)
ZIM180 (ZENIA6)	28,00
ZIM223 (ZENIA4)	23,50

BY4 - BY6



	CODE	PRICE (€)
1	173621 (BY6)	67,50
	173608 (BY4)	61,00
2	173603	10,00
3	MCR016	8,50
4	173613 (BY6)	591,00
	173615 (BY4)	528,00
5	173617	88,00
6	162215	35,50
7	173616 (BY6)	213,50
	173607 (BY4)	168,50
8	MS132B (BY6)	24,00
	MS129C (BY4)	21,50
9	MP703A	3,00
10	MVG029	0,50
11	MCR011	13,50
12	173618 (BY6)	135,00
	173620 (BY4)	133,00
13	173619	105,50
14	163626 (BY6)	100,00
	163601 (BY4)	81,50
15	MCR022	2,50
16	MP700A (6m boom)	3,00
	MP699A (4m boom)	3,00
17	MP708B	3,00
18	MP789A	3,00
19	MP790A	3,00
20	MS096D (BY6)	33,50
	MS128C (BY4)	31,50

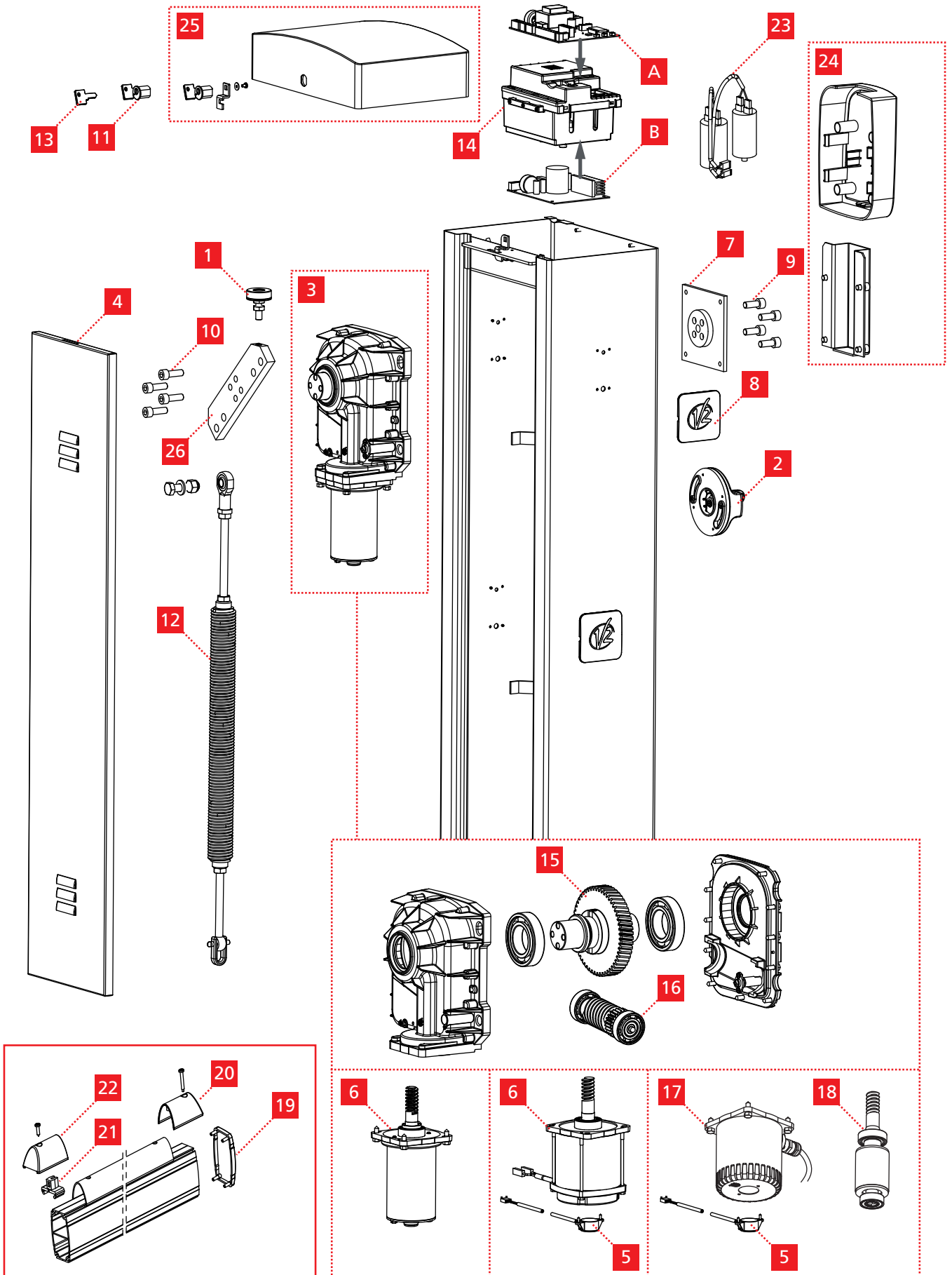
CONTROL UNIT

CODE	PRICE (€)
171255	200,50

PACKAGING

CODE	PRICE (€)
ZIM227 (BY6)	29,00
ZIM225 (BY4)	26,00

NIUBA4 - NIUBA6



	CODE	PRICE (€)
1	173603	10,00
2	173625	24,00
	173624 (NIUBA4-24V)	527,00
3	173623 (NIUBA6-24V)	605,00
	173628 (NIUBA-230V)	523,50
4	MS148A	52,00
5	163633	33,00
6	173616 (NIUBA6-24V)	213,50
	173607 (NIUBA4-24V)	168,50
7	MS096D (NIUBA6)	33,50
	MS128C (NIUBA4)	31,50
8	MP591B	2,50
9	MVG029	0,50
10	MVG033	0,50
11	MCR011	13,50
12	163626 (NIUBA6)	100,00
	163601 (NIUBA4)	81,50
13	MCR022	2,50
14	171265	18,00
15	173626	130,00
16	173619	105,50
17	172244 (NIUBA-230V)	119,00
18	172243 (NIUBA-230V)	48,00
19	MP700A (6m boom)	3,00
	MP699A (4m boom)	3,00
20	MP708B	3,00
21	MP789A	3,00
22	MP790A	3,00
23	173627 (NIUBA-230V)	15,00
24	173629 (NIUBA6)	54,00
	173630 (NIUBA4)	50,00
25	173631 (NIUBA4)	150,50
	173632 (NIUBA6)	151,00
26	MS152A (NIUBA4)	38,00
	MS147A (NIUBA6)	46,00

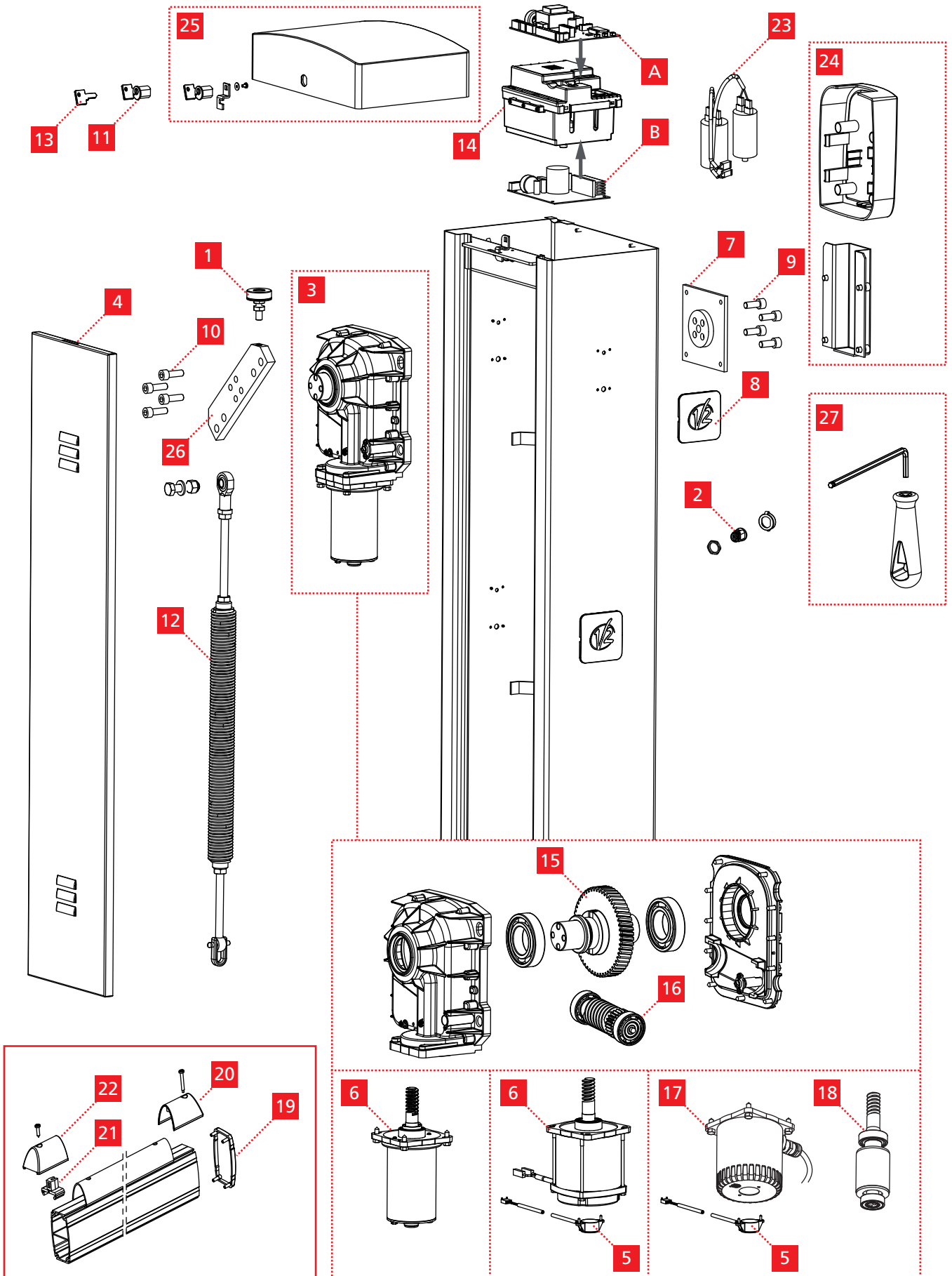
CONTROL UNIT

	CODE	PRICE (€)
A	171273 (NIUBA-24V)	125,00
	171275 (NIUBA-230V)	140,00
B	171274 (NIUBA-24V)	158,00

PACKAGING

	CODE	PRICE (€)
	ZM252A (NIUBA4)	20,00
	ZM254A (NIUBA6)	20,50

NIUBA4 - NIUBA6 (2016)



	CODE	PRICE (€)
1	173603	10,00
2	MCR016	8,50
	173624 (NIUBA4-24V)	527,00
3	173623 (NIUBA6-24V)	605,00
	173628 (NIUBA-230V)	523,50
4	MS148A	52,00
5	163633	33,00
6	173616 (NIUBA6-24V)	213,50
	173607 (NIUBA4-24V)	168,50
7	MS096D (NIUBA6)	33,50
	MS128C (NIUBA4)	31,50
8	MP591B	2,50
9	MVG029	0,50
10	MVG033	0,50
11	MCR011	13,50
12	163626 (NIUBA6)	100,00
	163601 (NIUBA4)	81,50
13	MCR022	2,50
14	171265	18,00
15	173626	130,00
16	173619	105,50
17	172244 (NIUBA-230V)	119,00
18	172243 (NIUBA-230V)	48,00
19	MP700A (6m boom)	3,00
	MP699A (4m boom)	3,00
20	MP708B	3,00
21	MP789A	3,00
22	MP790A	3,00
23	173627 (NIUBA-230V)	15,00
24	173629 (NIUBA6)	54,00
	173630 (NIUBA4)	50,00
25	173631 (NIUBA4)	150,50
	173632 (NIUBA6)	151,00
26	MS152A (NIUBA4)	38,00
	MS147A (NIUBA6)	46,00
27	173633	15,00

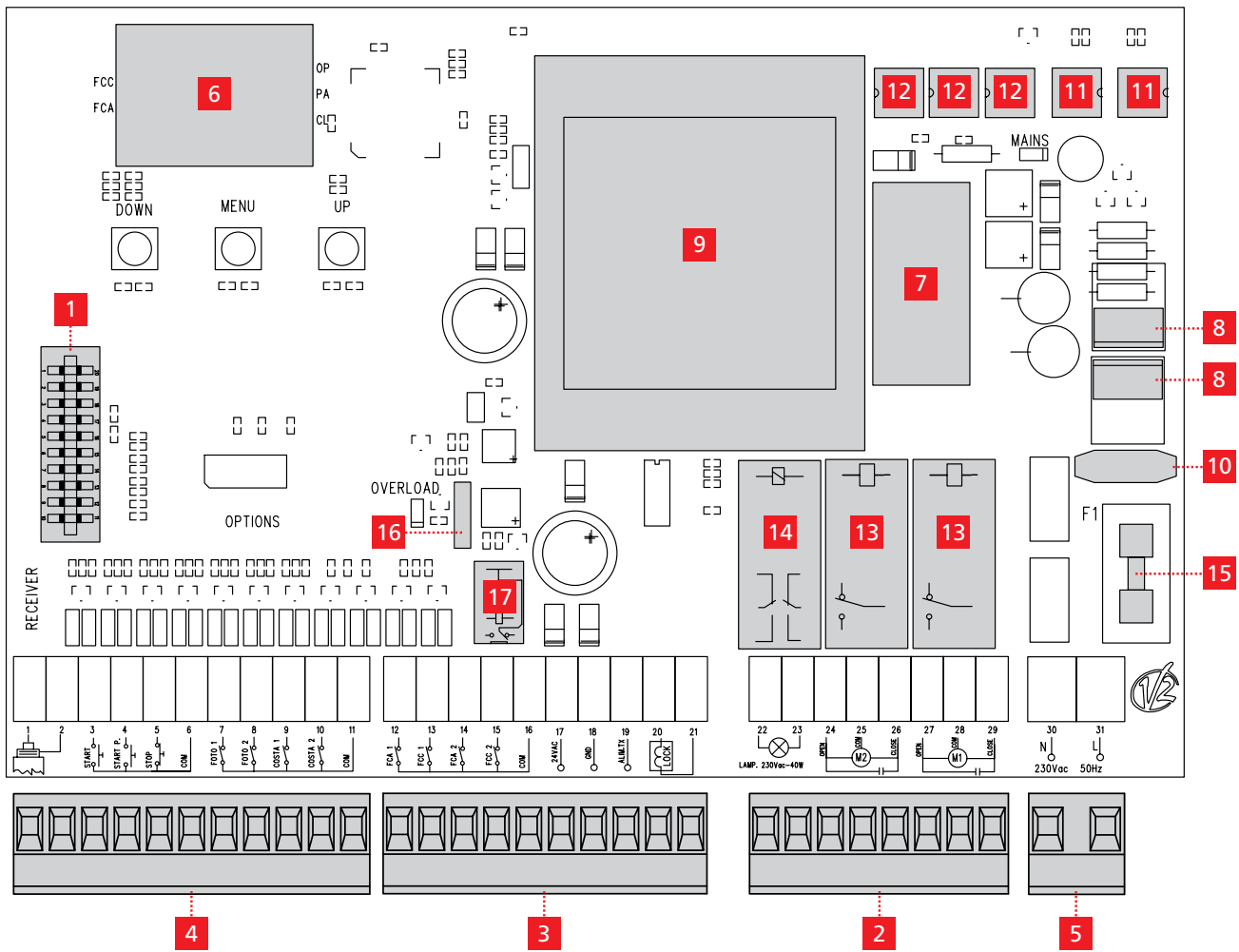
CONTROL UNIT

	CODE	PRICE (€)
A	171273 (NIUBA-24V)	125,00
	171275 (NIUBA-230V)	140,00
B	171274 (NIUBA-24V)	158,00

PACKAGING

	CODE	PRICE (€)
	ZM252A (NIUBA4)	20,00
	ZM254A (NIUBA6)	20,50

CITY1



CODE	PRICE (€)
1 ACN028	2,50
2 AKD003	2,50
3 AKD005	3,00
4 AKD007	3,50
5 AKE016 (230V model)	1,00
5 AKE018 (120V model)	1,00
6 DIS006	4,00
7 LIT007	5,50
8 STC001	2,50
9 TRA010	21,00
9 TRA016	21,00
10 VAR002 (230V model)	2,00
10 VAR001 (120V model)	2,00
11 OPT004	2,00
12 OPT006	2,00
13 REL002	3,50
14 REL003	4,00

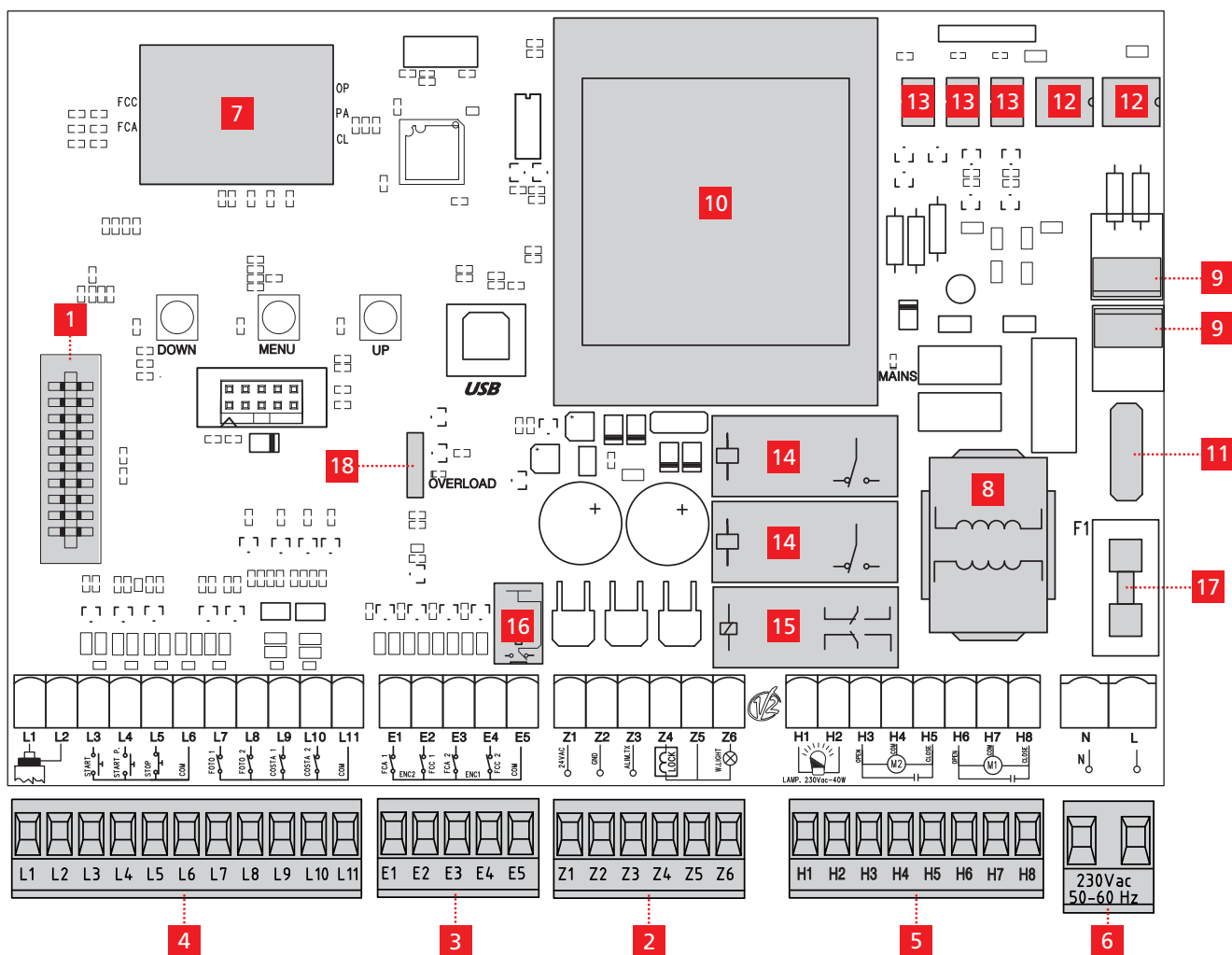
CODE	PRICE (€)
15 FSB003 (230V model)	2,00
15 FSB004 (120V model)	2,00
16 PTC001	2,00
17 REL005	2,00

CODE	PRICE (€)
171220 (230V electronic board)	185,00
171249 (120V electronic board)	190,00
171250 (230V electronic board - CITY1-ECD)	190,00
171203 (plastic case)	25,50

PACKAGING

CODE	PRICE (€)
ZM030B (external packaging)	5,00
ZM256A (internal packaging)	2,00

CITY1-EVO



CODE	PRICE (€)
1 ACN028	2,50
2 AKD031	2,00
3 AKD045	2,00
4 AKD043	4,50
5 AKD035	2,50
6 AKE016 (230V model)	1,00
7 DIS006	4,00
8 LIT019	13,00
9 STC001	2,50
10 TRA045 (230V model)	25,50
11 VAR002 (230V model)	2,00
12 OPT004	2,00
13 OPT011	2,00

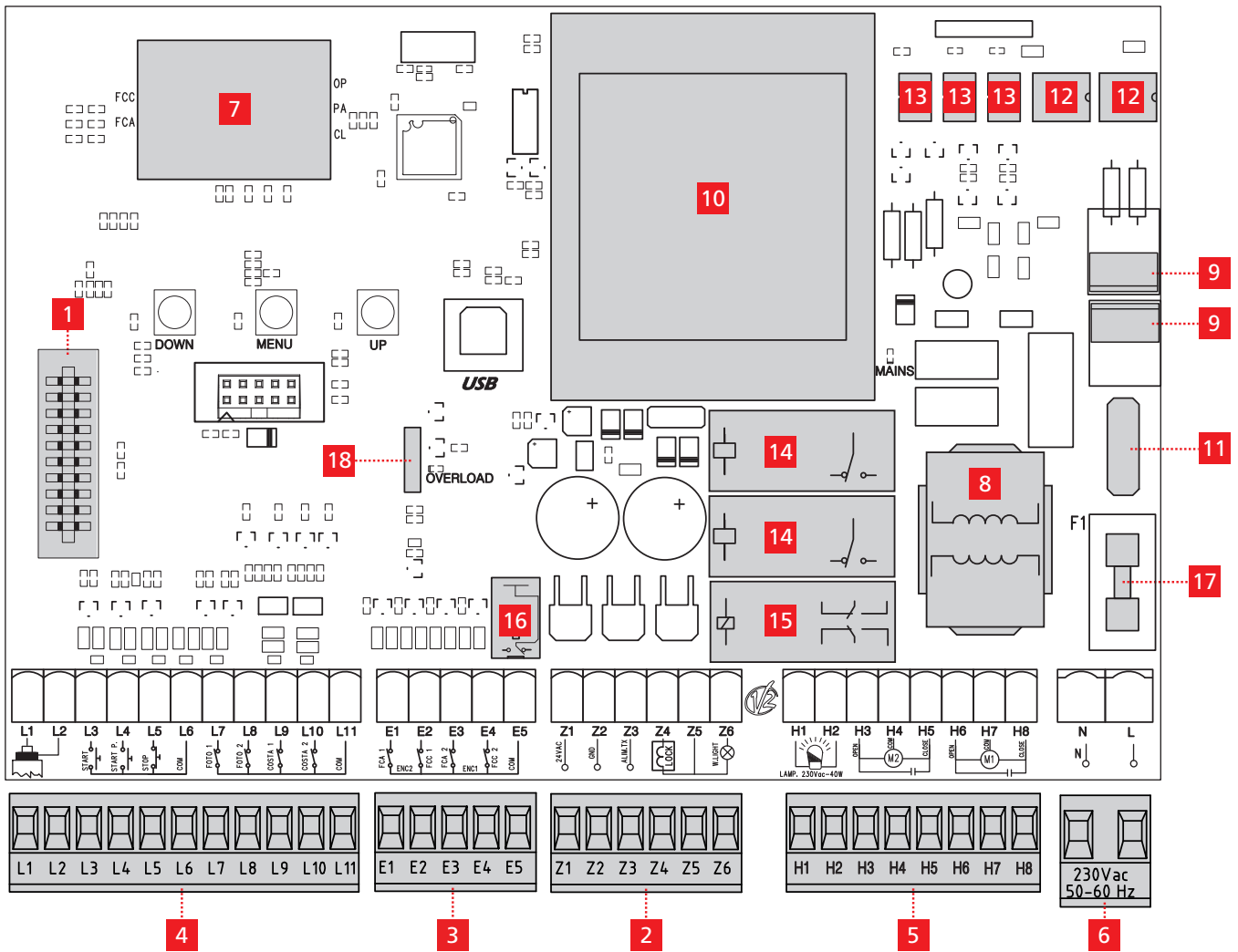
CODE	PRICE (€)
14 REL002	3,50
15 REL003	4,00
16 REL005	2,00
17 FSB003 (230V model)	2,00
FSB004 (120V model)	2,00
18 PTC001	2,00

CODE	PRICE (€)
171276 (230V electronic board)	147,50

PACKAGING

CODE	PRICE (€)
ZM030B (external packaging)	5,00

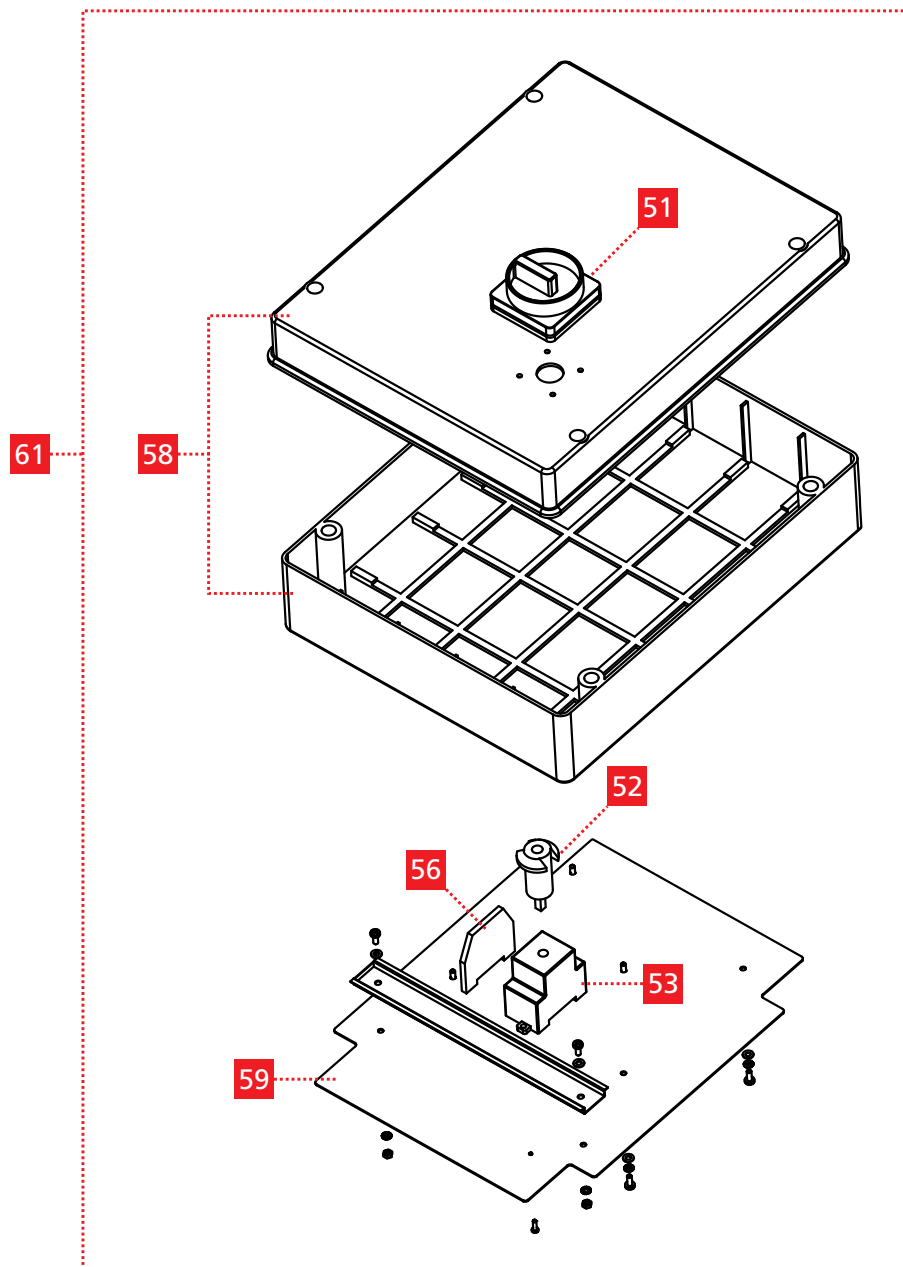
CITY1-EVO-PB



CODE	PRICE (€)
1 ACN028	2,50
2 AKD031	2,00
3 AKD045	2,00
4 AKD043	4,50
5 AKD035	2,50
6 AKE016 (230V model)	1,00
7 DIS006	4,00
8 LIT019	13,00
9 STC001	2,50
10 TRA045 (230V model)	25,50
11 VAR002 (230V model)	2,00

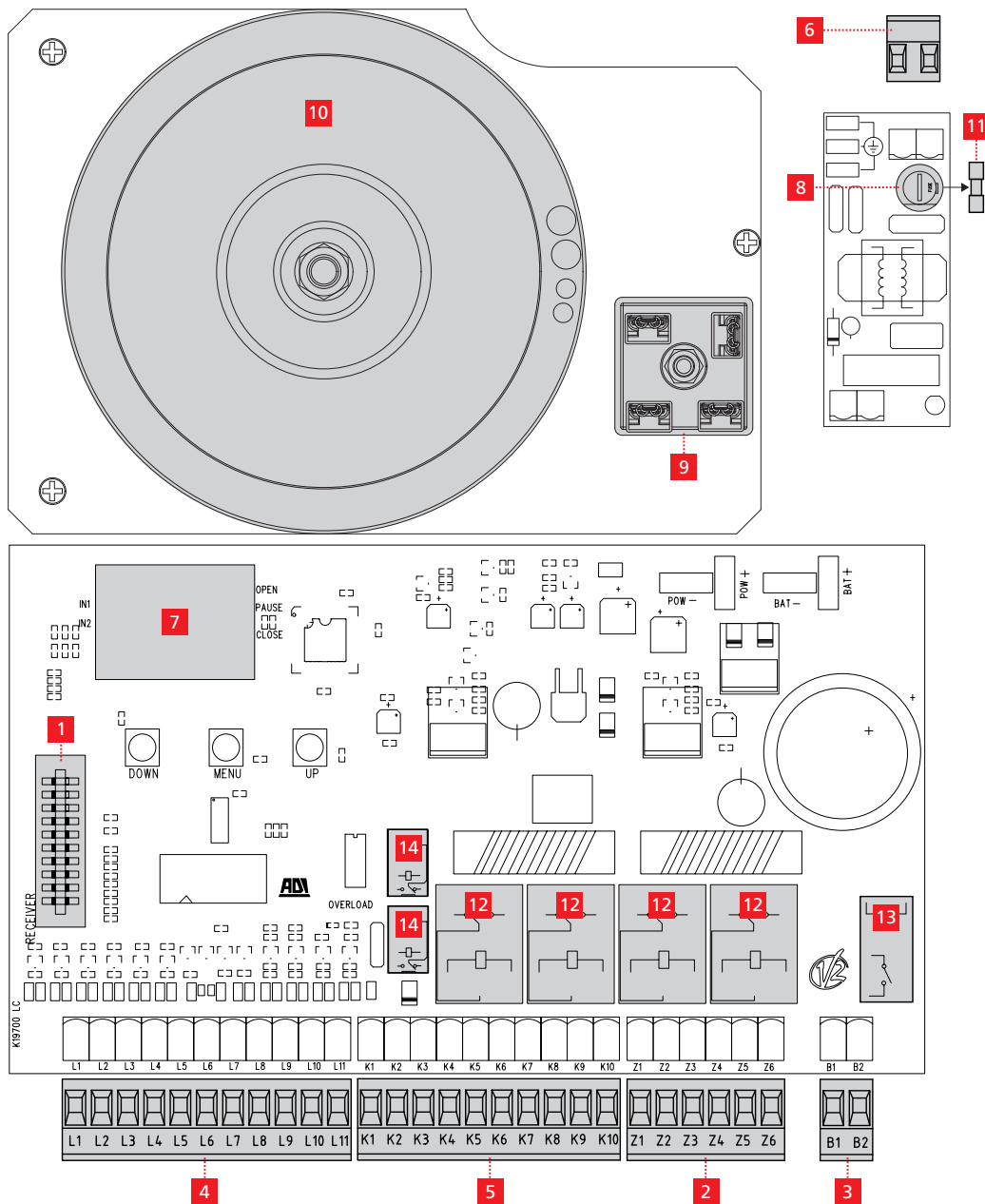
CODE	PRICE (€)
12 OPT004	2,00
13 OPT011	2,00
14 REL002	3,50
15 REL003	4,00
16 REL005	2,00
17 FSB003 (230V model)	2,00
FSB004 (120V model)	2,00
18 PTC001	2,00

CODE	PRICE (€)
171276 (230V electronic board)	147,50



CODE	PRICE (€)
51 MCE128	13,00
52 MCE130	20,00
53 INT029	47,00
56 MCE131	15,00
58 MCE126	170,00
59 MCE148	62,00
61 161219	322,00

CITY2+



CODE	PRICE (€)
1 ACN028	2,50
2 AKD031	2,00
3 AKD034	1,00
4 AKD043	4,50
5 AKD048	3,50
6 AKE016 (230V model)	1,00
AKE018 (120V model)	1,00
7 DIS006	4,00
8 POR009	2,00
9 SPD004	7,50
10 TRA027 (230V model)	68,50
TRA034 (120V model)	68,50
11 FSB019 (230V model)	2,00
FSB020 (120V model)	2,00

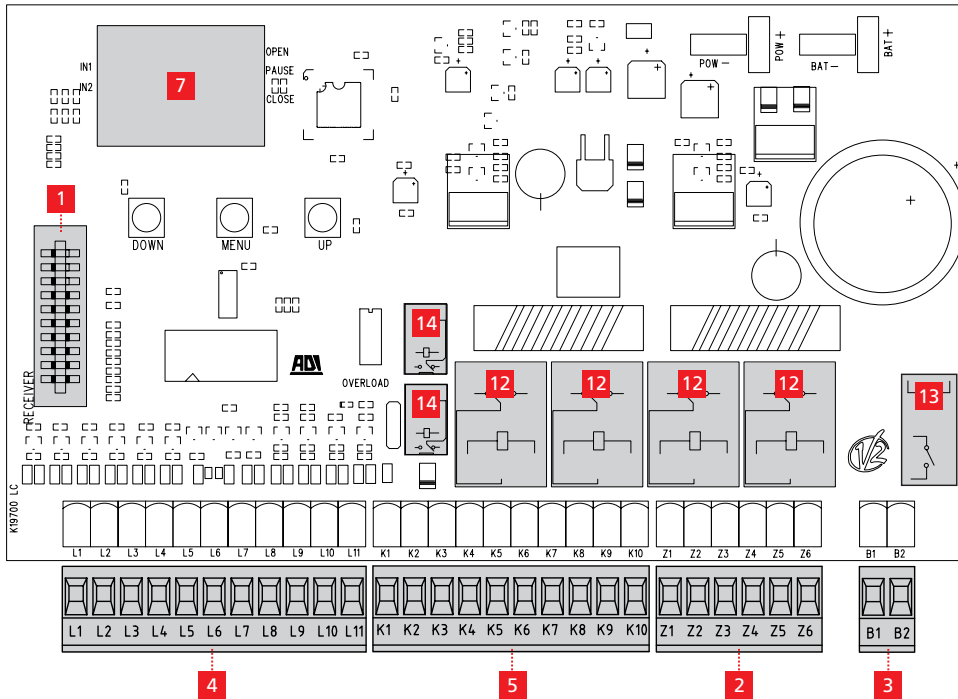
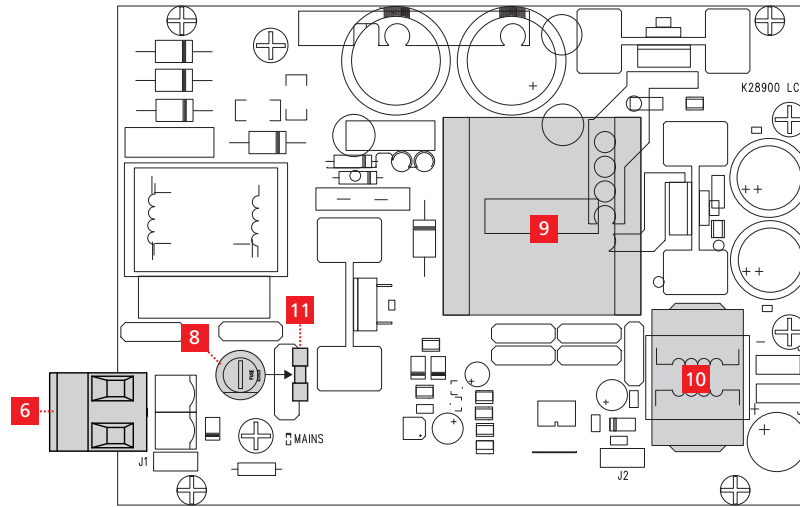
CODE	PRICE (€)
12 REL006	2,50
13 REL013	2,00
14 REL005	2,00

CODE	PRICE (€)
171245 (electronic board)	119,00
171243 (power supply board)	25,00
171203 (plastic case)	25,50

PACKAGING

CODE	PRICE (€)
ZM030B (external packaging)	5,00

CITY2+L



CODE	PRICE (€)
1 ACN028	2,50
2 AKD031	2,00
3 AKD034	1,00
4 AKD043	4,50
5 AKD048	3,50
6 AKE016 (230V model)	1,00
AKE018 (120V model)	1,00
7 DIS006	4,00
8 POR009	2,00
9 TRA043	35,00
10 LIT009	6,00
11 FSB019 (230V model)	2,00
FSB020 (120V model)	2,00

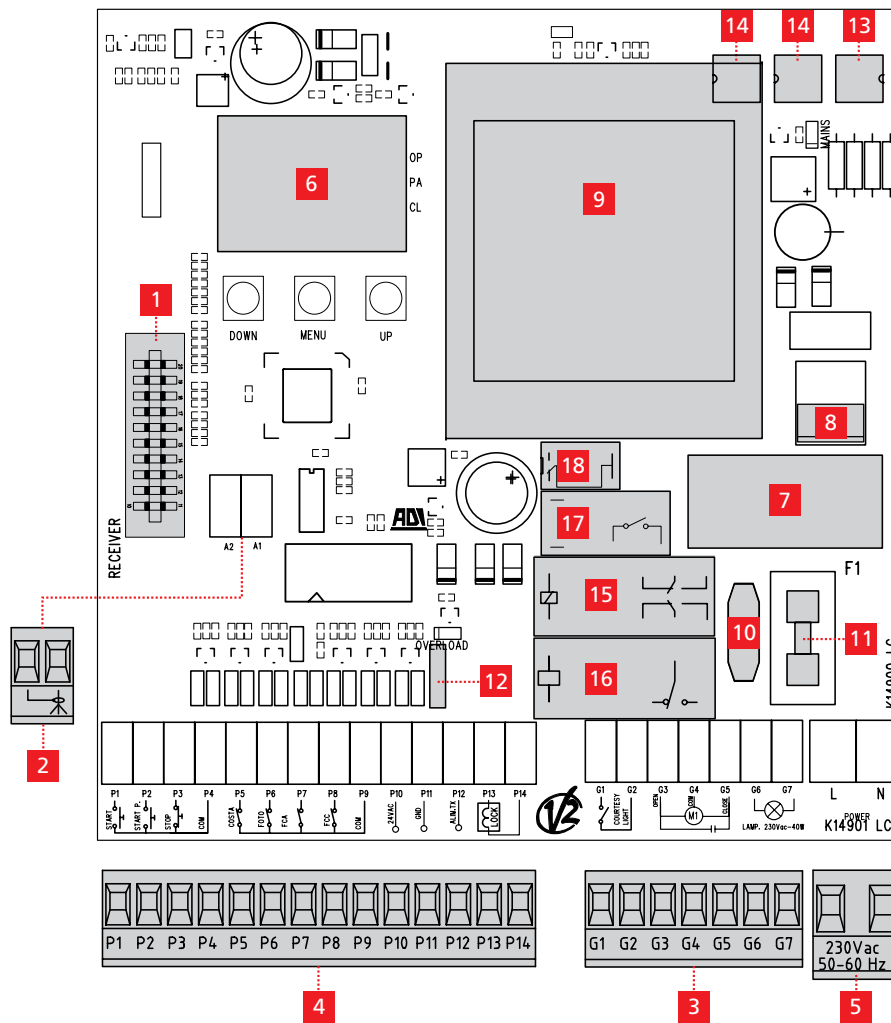
CODE	PRICE (€)
12 REL006	2,50
13 REL013	2,00
14 REL005	2,00

CODE	PRICE (€)
171245 (electronic board)	119,00
171282 (power supply switching board)	105,00
171203 (plastic case)	25,50

PACKAGING

CODE	PRICE (€)
ZM030B (external packaging)	5,00

CITY4



CODE	PRICE (€)
1 ACN028	2,50
2 AKD029	1,00
3 AKD033	2,50
4 AKD041	4,50
5 AKE016 (230V model)	1,00
AKE018 (120V model)	1,00
6 DIS006	4,00
7 LIT007	5,50
8 STC001	2,50
9 TRA010 (230V model)	21,00
TRA016 (120V model)	21,00
10 VAR002 (230V model)	2,00
VAR001 (120V model)	2,00
11 FSB003 (230V model)	2,00
FSB004 (120V model)	2,00
12 PTC001	2,00

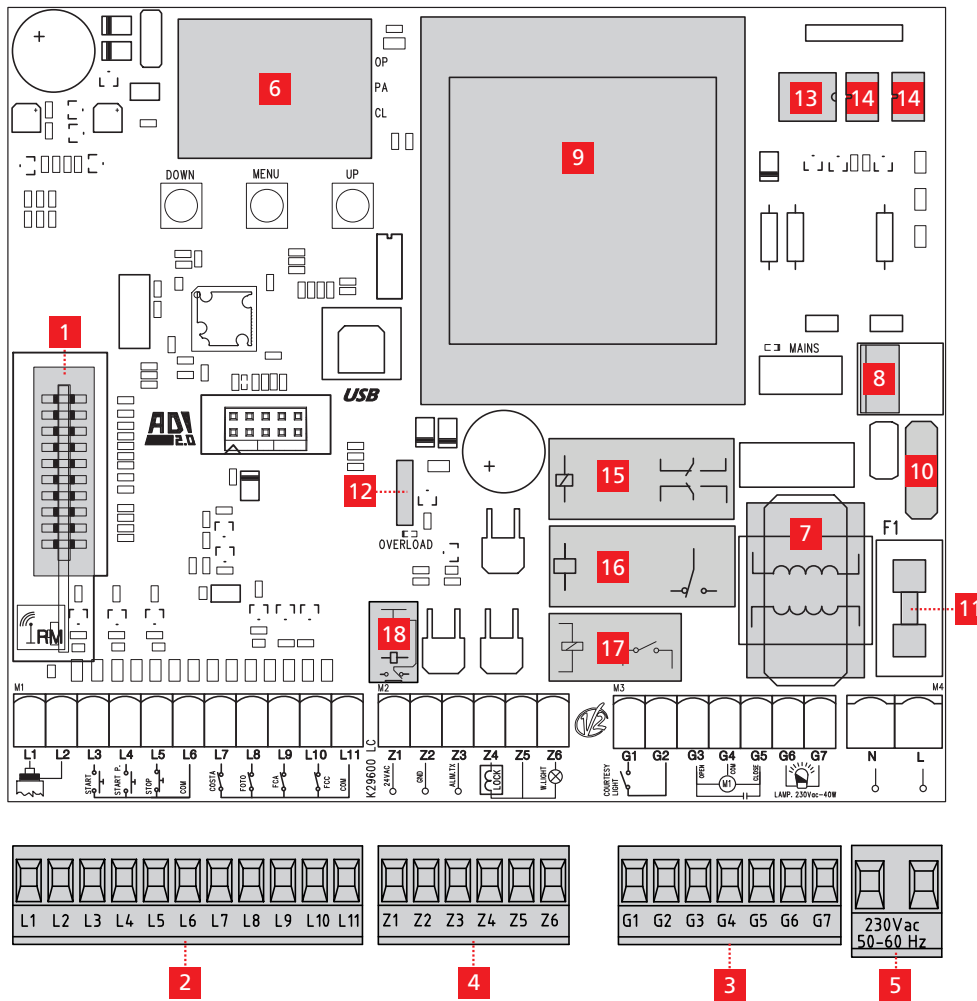
CODE	PRICE (€)
13 OPT004	2,00
14 OPT006	2,00
15 REL003	4,00
16 REL002	3,50
17 REL010	2,00
18 REL005	2,00

CODE	PRICE (€)
171230 (230V electronic board)	133,00
171251 (120V electronic board)	135,00
171203 (plastic case)	25,50

PACKAGING

CODE	PRICE (€)
ZM030B (external packaging)	5,00
ZIM134 (internal packaging)	5,50

CITY4-EVO



CODE	PRICE (€)
1 ACN028	2,50
2 AKD043	4,50
3 AKD033	2,50
4 AKD031	2,00
5 AKE016 (230V model)	1,00
AKE018 (120V model)	1,00
6 DIS006	4,00
7 LIT019	13,00
8 STC006	2,50
9 TRA045 (230V model)	25,50
10 VAR002 (230V model)	2,00
11 FSB003 (230V model)	2,00
12 PTC001	2,00

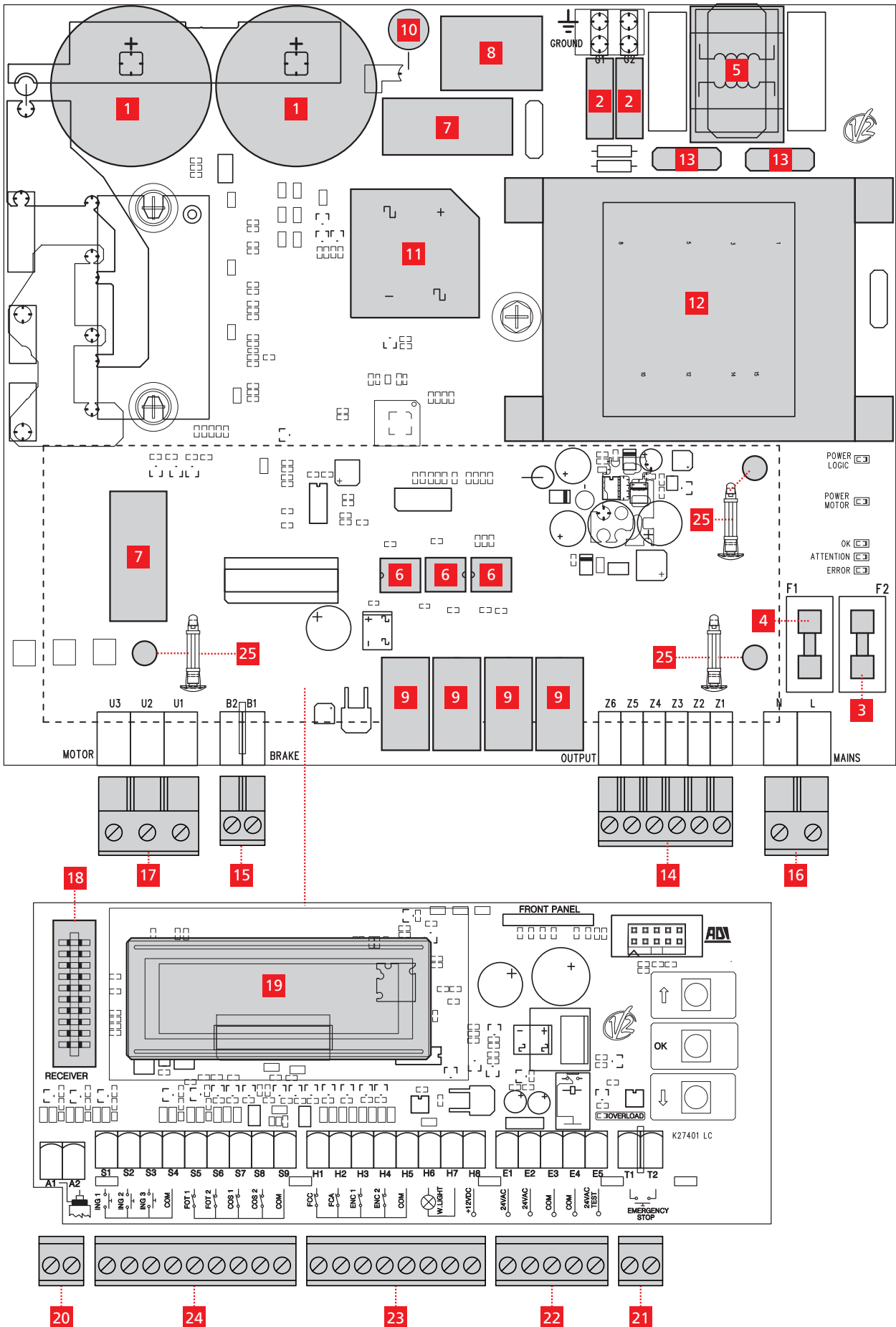
CODE	PRICE (€)
13 OPT004	2,00
14 OPT011	2,00
15 REL003	4,00
16 REL002	3,50
17 REL010	2,00
18 REL005	2,00

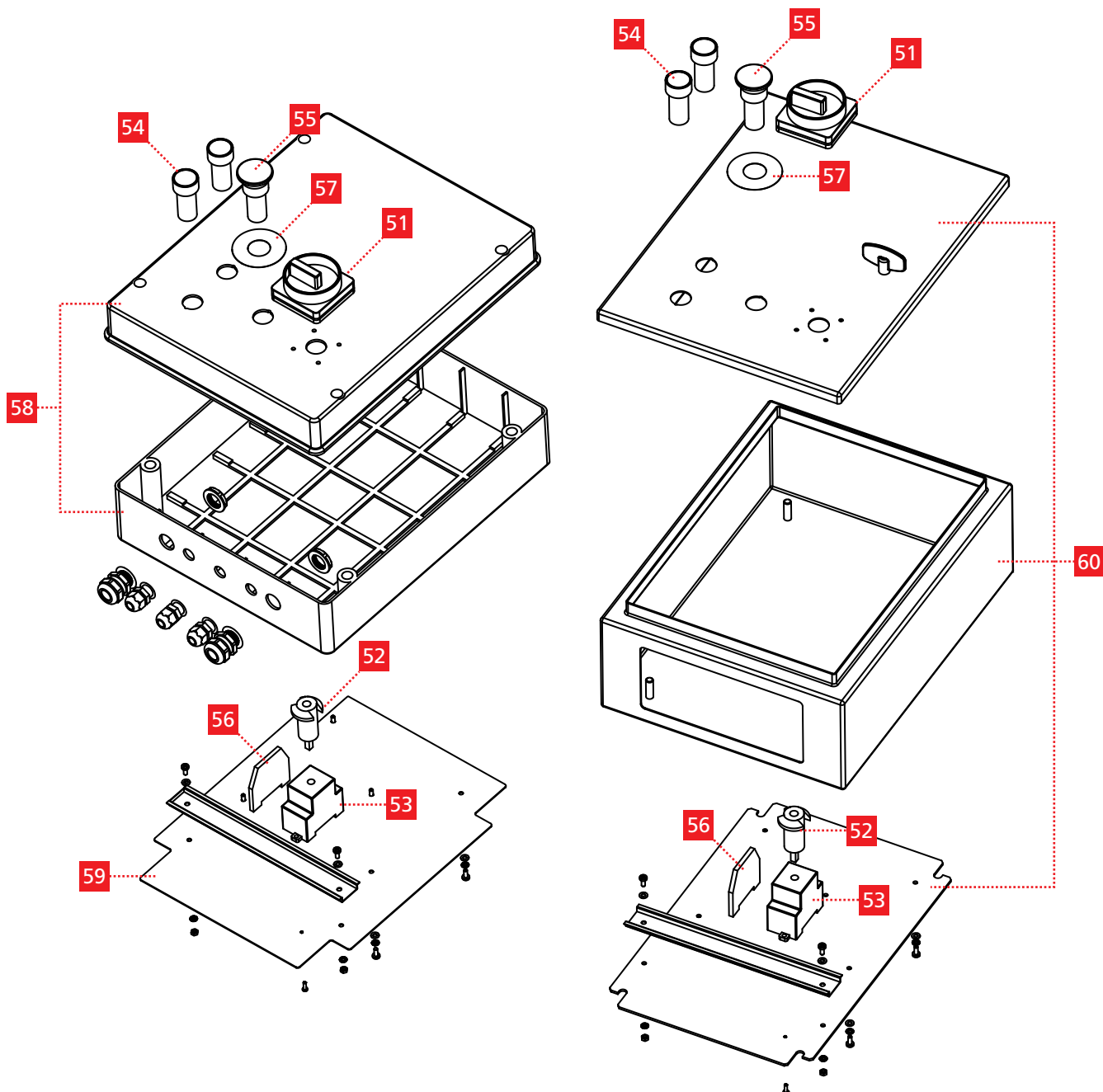
CODE	PRICE (€)
171291 (230V electronic board)	137,00
171203 (plastic case)	25,50

PACKAGING

CODE	PRICE (€)
ZM030B (external packaging)	5,00
ZIM134 (internal packaging)	5,50

HEAVY1



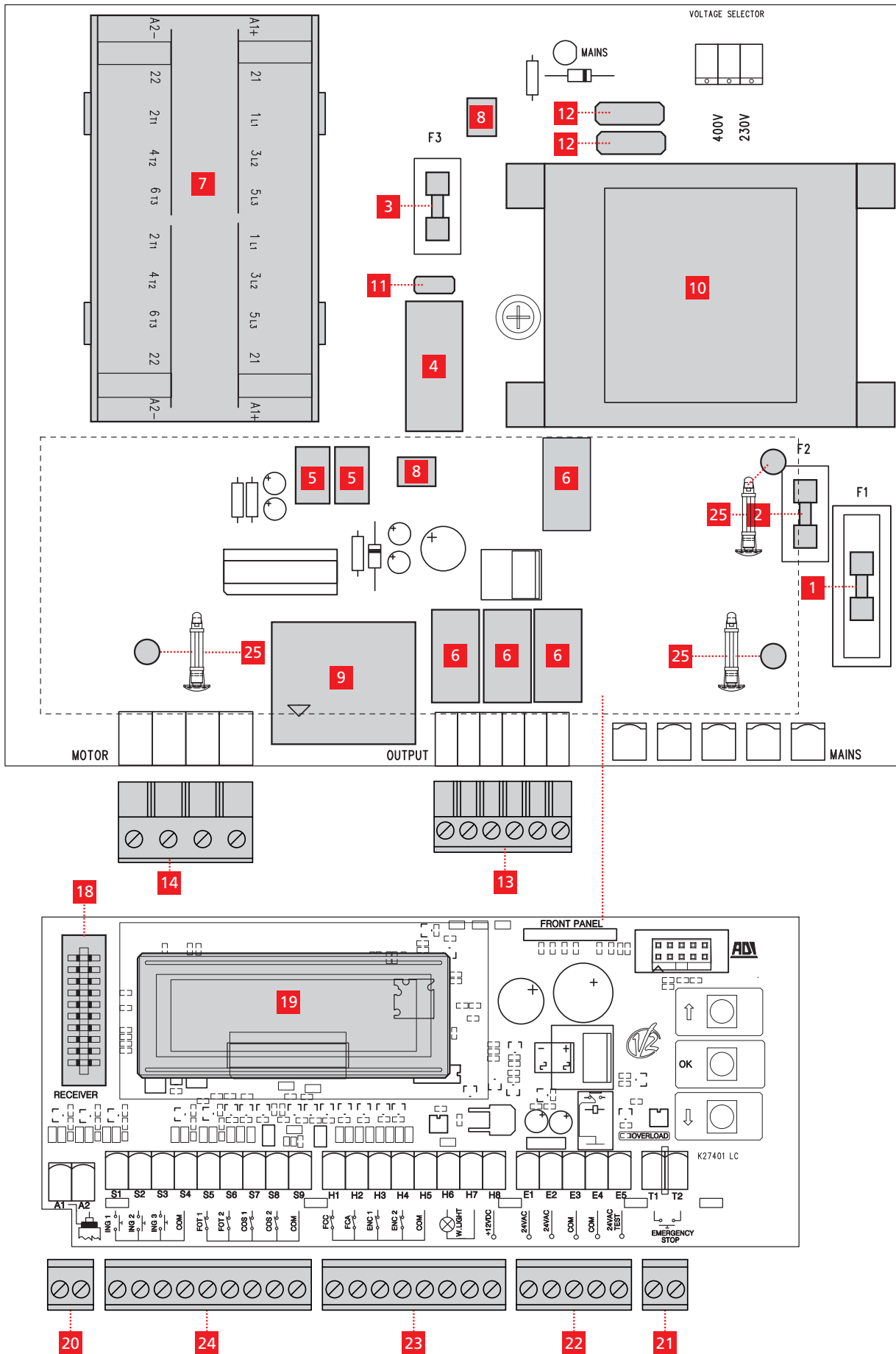


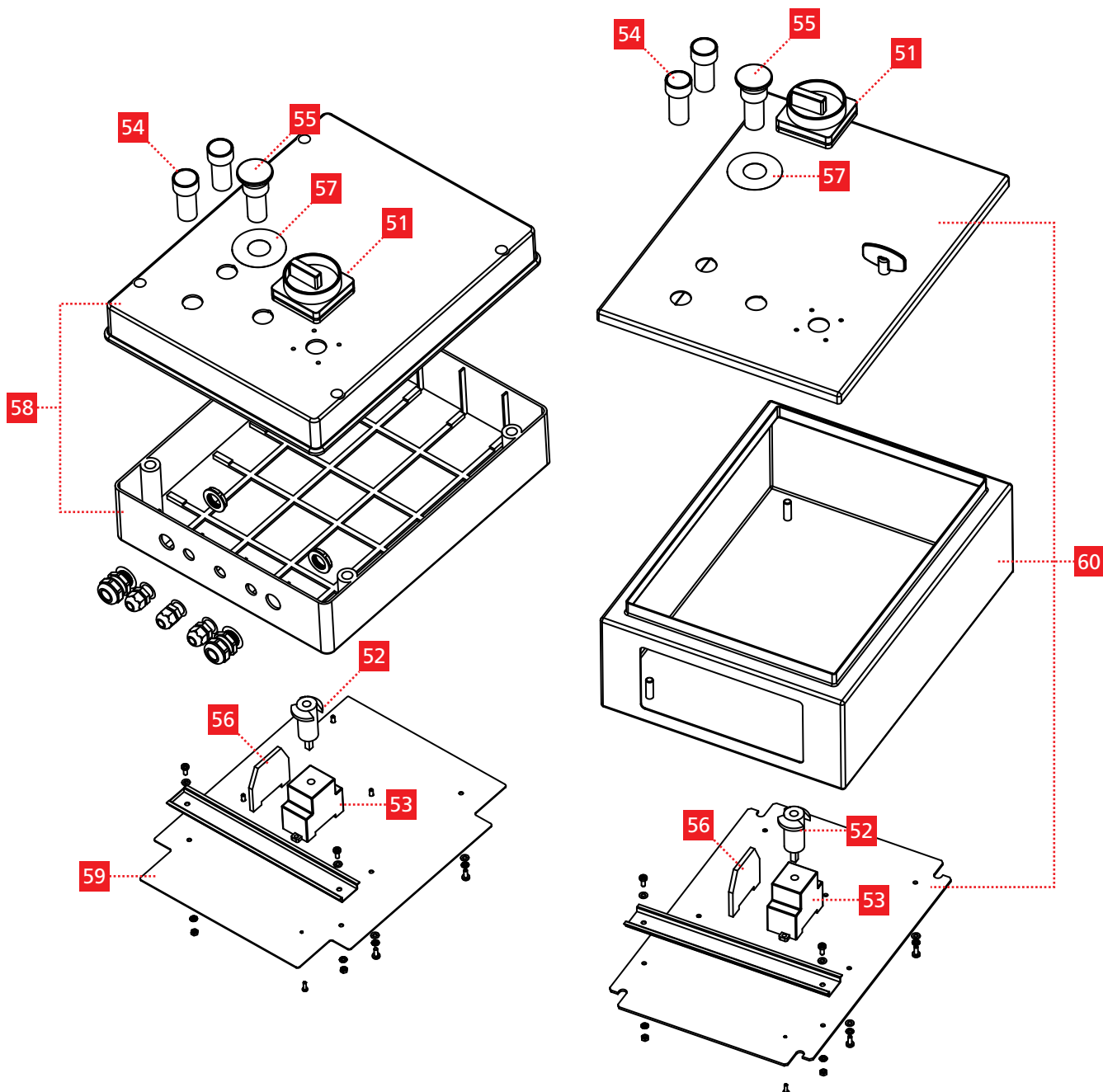
CODE		PRICE (€)
1	CET036	30,00
2	CPP046	1,00
3	FSB005	2,00
4	FSB021	2,00
5	LIT022	15,00
6	OPT006	2,00
7	REL019	5,00
8	REL004	2,00
9	REL010	2,00
10	RET047	1,00
11	SPD006	5,00
12	TRA025	35,00

CODE		PRICE (€)
13	VAR002	2,00
14	AKD031	2,00
15	AKD034	1,00
16	AKE016	1,00
17	AKE025	2,00
18	ACN028	2,50
19	DIS010	40,00
20	AKD074	2,00
21	AKD075	2,00
22	AKD077	3,00
23	AKD078	5,00
24	AKD079	6,00

CODE		PRICE (€)
25	DST023	1,00
51	MCE128	13,00
52	MCE130	20,00
53	INT029	47,00
54	MCE134	10,00
55	MCE094	32,00
56	MCE131	15,00
57	ACC131	5,00
58	MCE126	170,00
59	MCE148	62,00
60	MCE133	250,00

HEAVY2



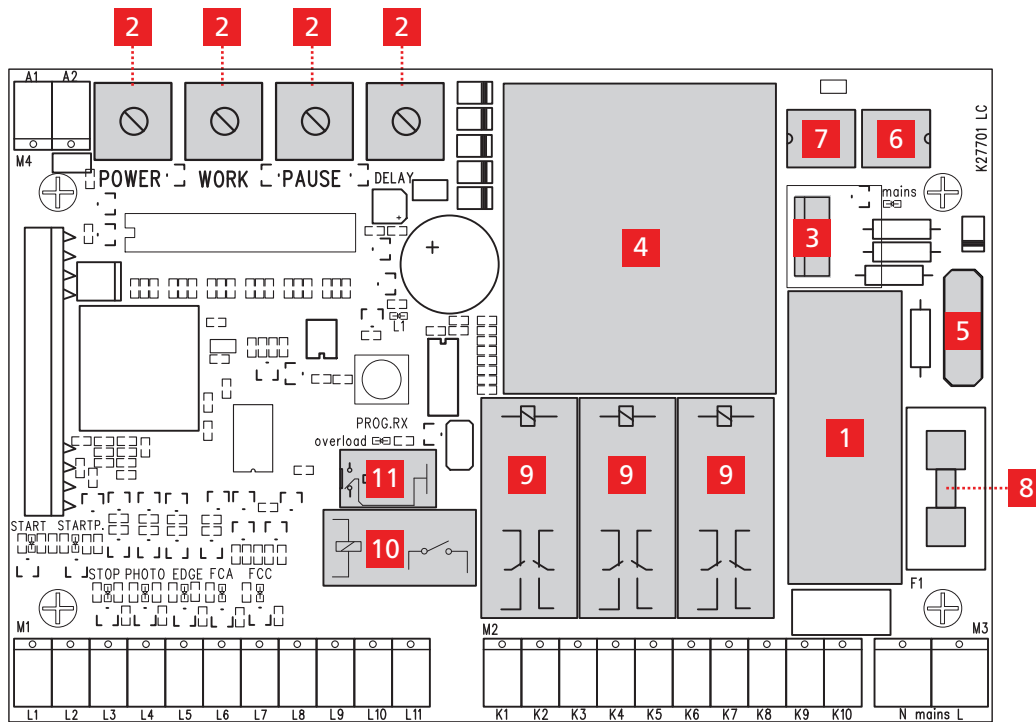


	CODE	PRICE (€)
1	FSB017	2,00
2	FSB013	2,00
3	FSB001	2,00
4	REL003	4,00
5	REL005	2,00
6	REL010	2,00
7	REL026	200,00
8	SPD007	2,00
9	TRA024	13,50
10	TRA025	35,00
11	VAR001	2,00
12	VAR002	2,00

	CODE	PRICE (€)
13	AKD031	2,00
14	AKE025	2,00
18	ACN028	2,50
19	DIS010	40,00
20	AKD074	2,00
21	AKD075	2,00
22	AKD077	3,00
23	AKD078	5,00
24	AKD079	6,00
25	DST023	1,00

	CODE	PRICE (€)
51	MCE128	13,00
52	MCE130	20,00
53	INT029	47,00
54	MCE134	10,00
55	MCE094	32,00
56	MCE131	15,00
57	ACC131	5,00
58	MCE126	170,00
59	MCE148	62,00
60	MCE133	250,00

FLEXY2



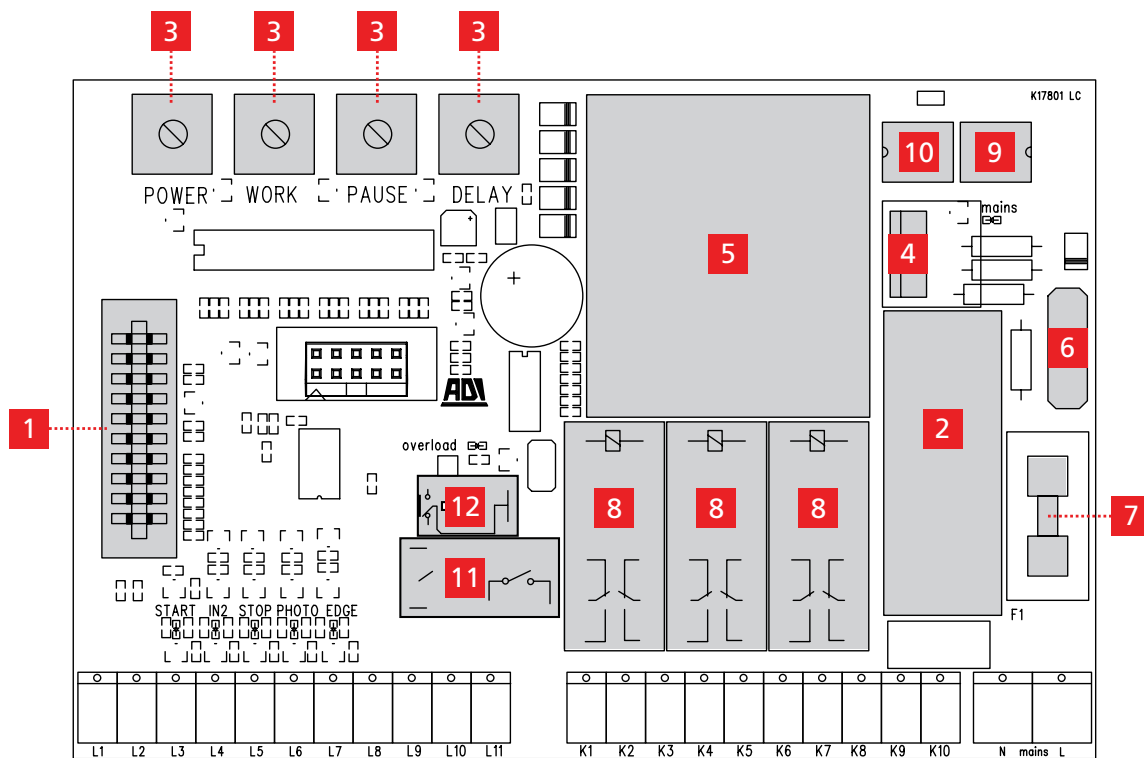
CODE	PRICE (€)
1 LIT007	5,50
2 RTR004	2,00
3 STC001	2,50
4 TRA002 (230V model)	9,00
TRA003 (120V model)	9,00
5 VAR002 (230V model)	2,00
VAR001 (120V model)	2,00
6 OPT004	2,00
7 OPT006	2,00
8 FSB003 (230V model)	2,00
FSB004 (120V model)	2,00
9 REL003	4,00
10 REL010	2,00
11 REL005	2,00

CODE	PRICE (€)
171263 (FLEXY2-230V control board)	104,00
171264 (FLEXY2-120V control board)	104,00
171223 (plastic case)	15,00

PACKAGING

CODE	PRICE (€)
ZM123B external packaging	3,50

CITY7



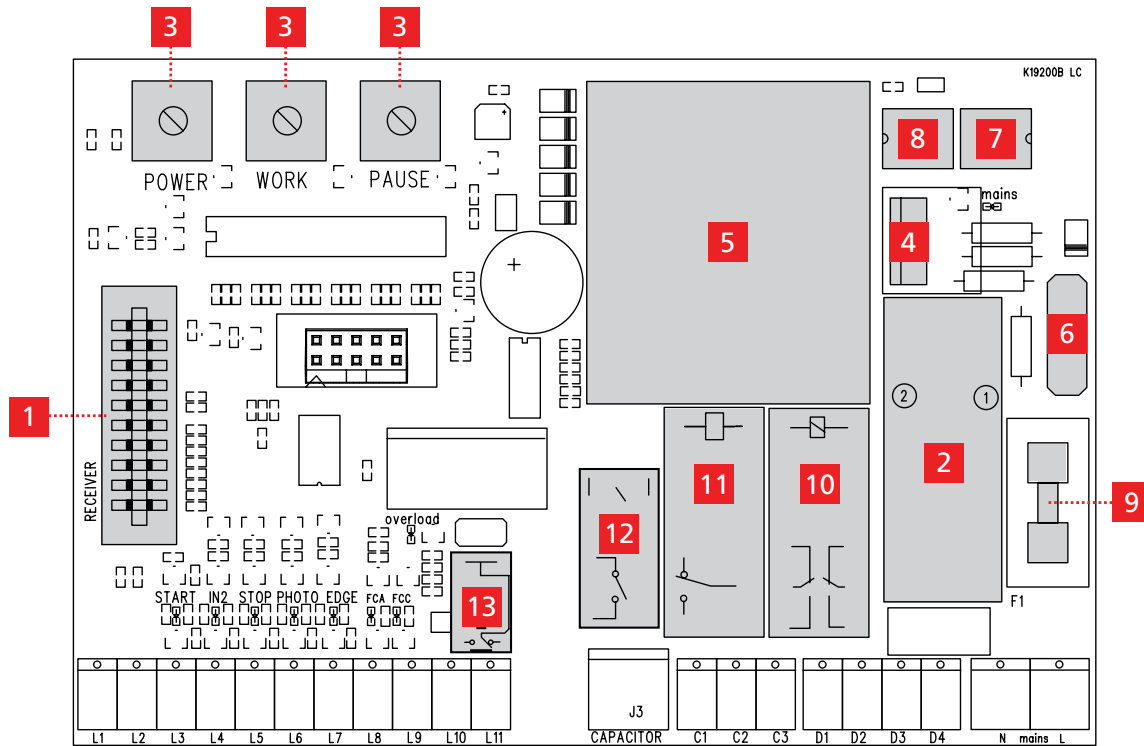
CODE	PRICE (€)
1 ACN028	2,50
2 LIT007	5,50
3 RTR004	2,00
4 STC001	2,50
5 TRA002 (230V model)	9,00
TRA003 (120V model)	9,00
6 VAR002 (230V model)	2,00
VAR001 (120V model)	2,00
7 FSB003 (230V model)	2,00
FSB004 (120V model)	2,00
8 REL003	4,00
9 OPT004	2,00
10 OPT006	2,00
11 REL010	2,00
12 REL005	2,00

CODE	PRICE (€)
171223 (plastic case)	15,00

PACKAGING

CODE	PRICE (€)
ZM123B (external packaging)	3,50

CITY9 / PRGS2 (cod. 171236 - 171239 - 171237 - 171240 - 171232 - 171235)



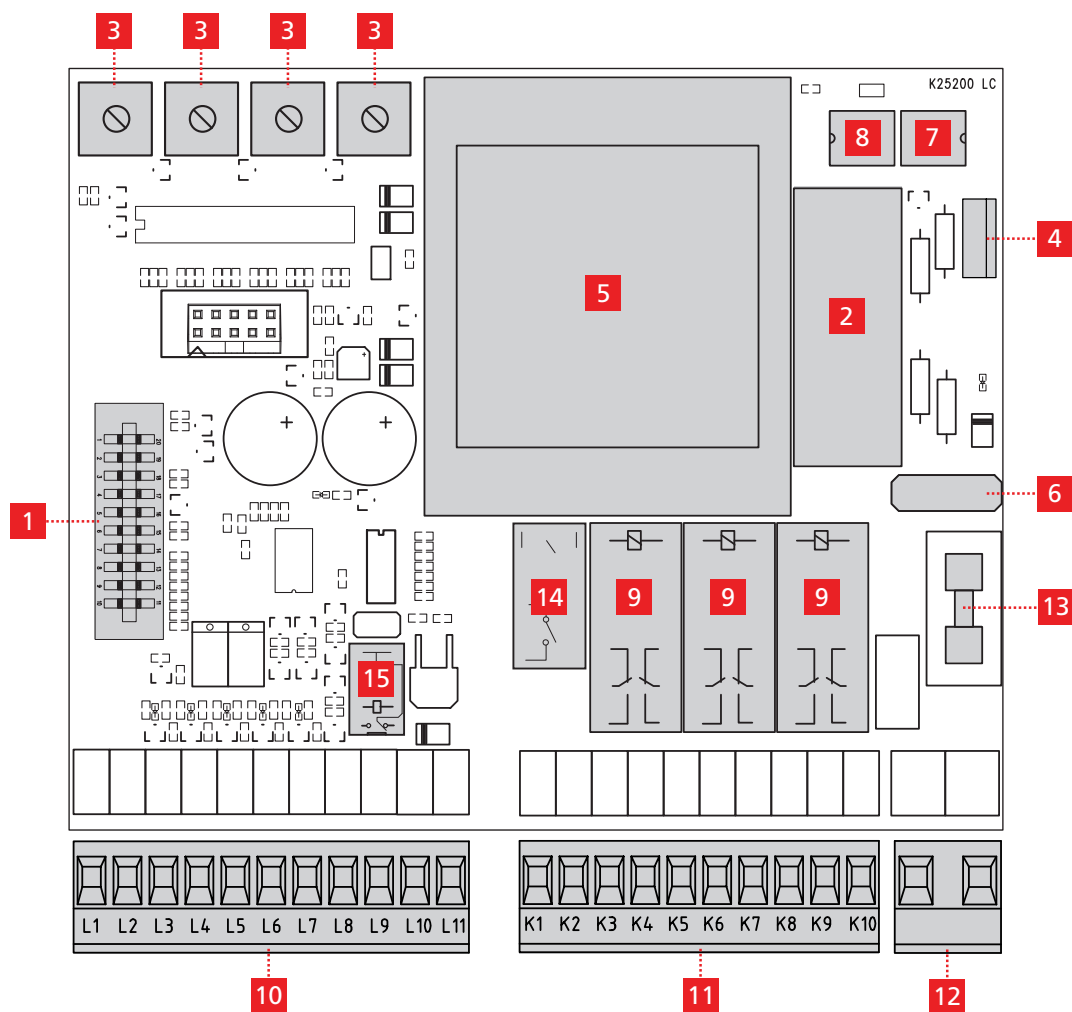
CODE	PRICE (€)
1 ACN028	2,50
2 LIT007	5,50
3 RTR004	2,00
4 STC001	2,50
5 TRA002 (230V model)	9,00
TRA003 (120V model)	9,00
6 VAR002 (230V model)	2,00
VAR001 (120V model)	2,00
7 OPT004	2,00
8 OPT006	2,00
9 FSB003 (230V model)	2,00
FSB004 (120V model)	2,00
10 REL003	4,00
11 REL002	3,50
12 REL010	2,00
13 REL005	2,00

CODE	PRICE (€)
171237 (CITY9-230V electronic board)	109,00
171240 (CITY9-120V electronic board)	112,00
171232 (PRGS2-230V electronic board)	109,00
171235 (PRGS2-120V electronic board)	109,00
171223 (plastic case)	15,00

PACKAGING

CODE	PRICE (€)
ZM123B external packaging	3,50

CITY11



CODE	PRICE (€)
1 ACN028	2,50
2 LIT007	5,50
3 RTR004	2,00
4 STC001	2,50
5 TRA010 (230V model)	21,00
TRA016 (120V model)	21,00
6 VAR002 (230V model)	2,00
VAR001 (120V model)	2,00
7 OPT004	2,00
8 OPT006	2,00
9 REL003	4,00
10 AKD043	4,50
11 AKD048	3,50
12 AKE016 (230V model)	1,00
AKE018 (120V model)	1,00
13 FSB003 (230V model)	2,00
FSB004 (120V model)	2,00

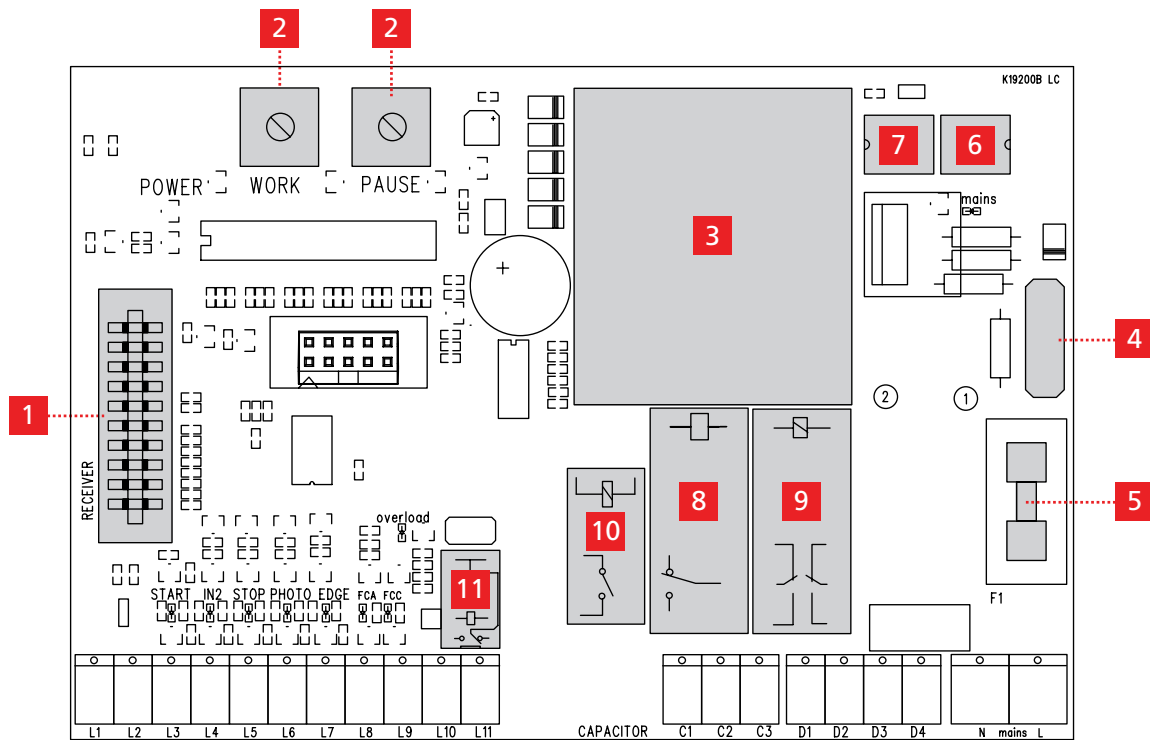
CODE	PRICE (€)
14 REL010	2,00
15 REL005	2,00

CODE	PRICE (€)
171236 (230V electronic board)	118,00
171236 (120V electronic board)	118,00
171223 (plastic case)	15,00

PACKAGING

CODE	PRICE (€)
ZM123B (external packaging)	3,50

EASY2



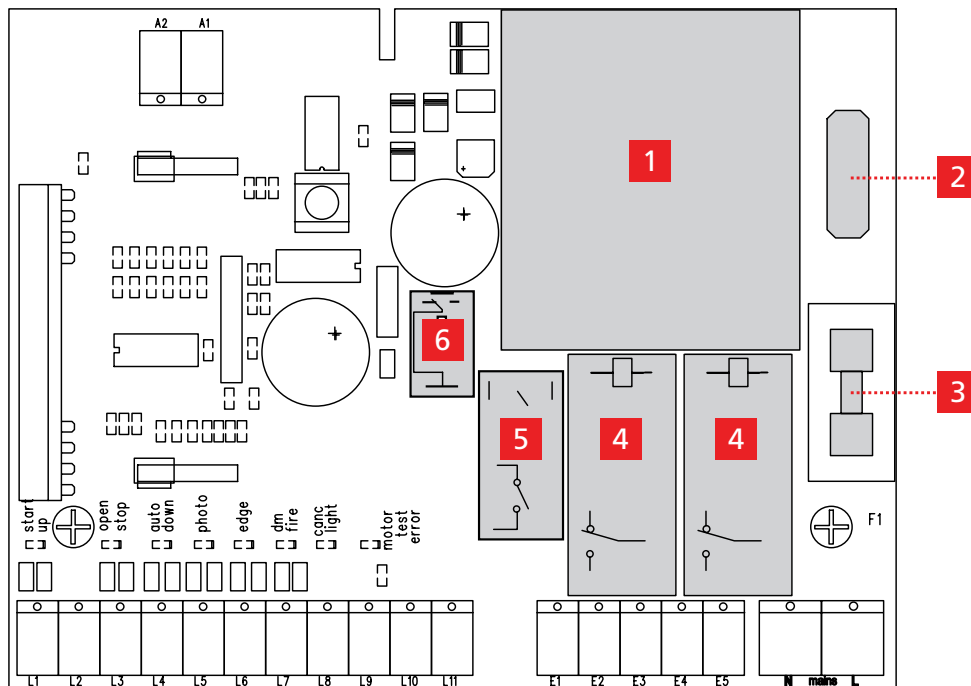
CODE	PRICE (€)
1 ACN028	2,50
2 RTR004	2,00
3 TRA002 (230V model)	9,00
TRA003 (120V model)	9,00
4 VAR002 (230V model)	2,00
VAR001 (120V model)	2,00
5 FSB003 (230V model)	2,00
FSB004 (120V model)	2,00
6 OPT004	2,00
7 OPT006	2,00
8 REL002	3,50
9 REL003	4,00
10 REL010	2,00
11 REL005	2,00

CODE	PRICE (€)
171223 (plastic case)	15,00

PACKAGING

CODE	PRICE (€)
ZM123B (external packaging)	3,50

EASY3



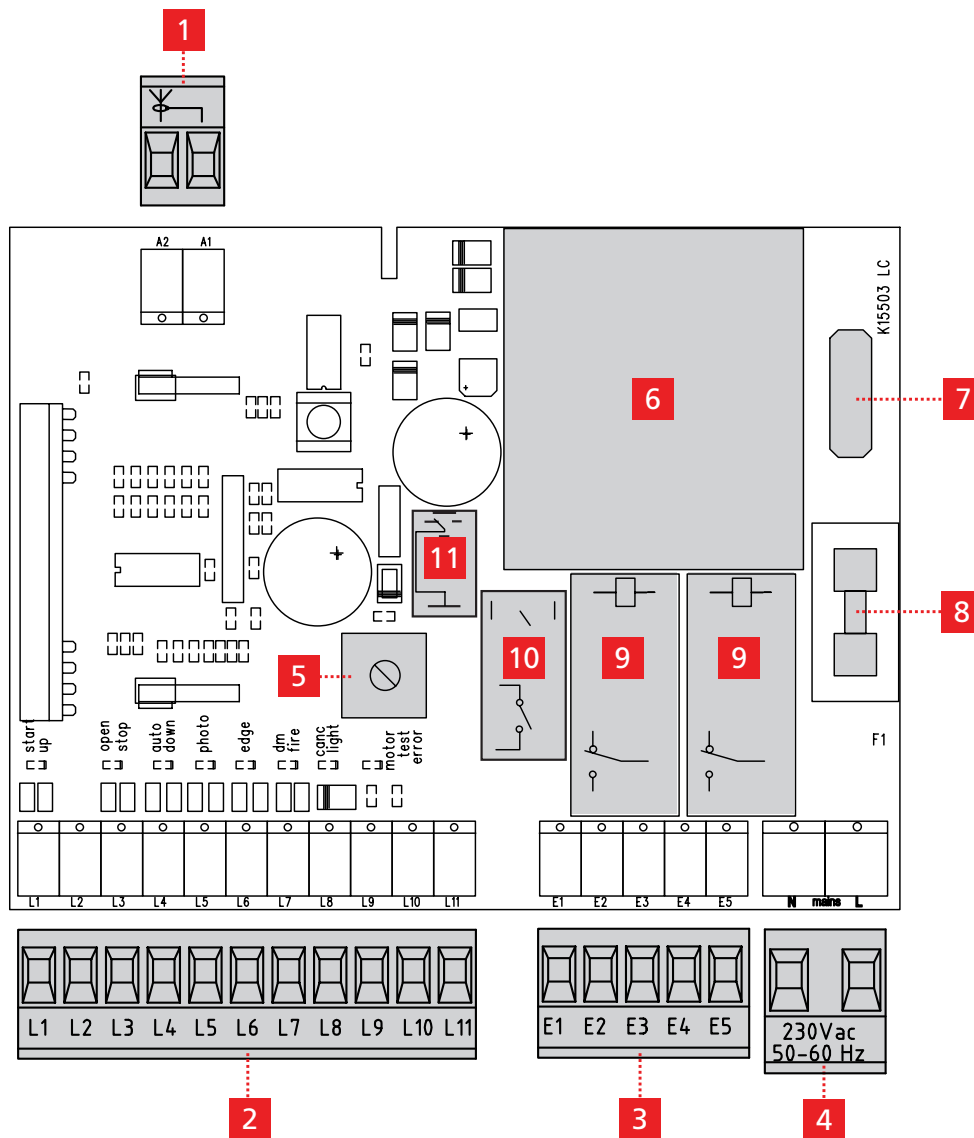
	CODE	PRICE (€)
1	TRA002 (230V model)	9,00
	TRA003 (120V model)	9,00
2	VAR002 (230V model)	2,00
	VAR001 (120V model)	2,00
3	FSB003	2,00
4	REL002	3,50
5	REL010	2,00
6	REL005	2,00

CODE	PRICE (€)
171223 (plastic case)	15,00

PACKAGING

CODE	PRICE (€)
ZM123B (external packaging)	3,50

EASY4



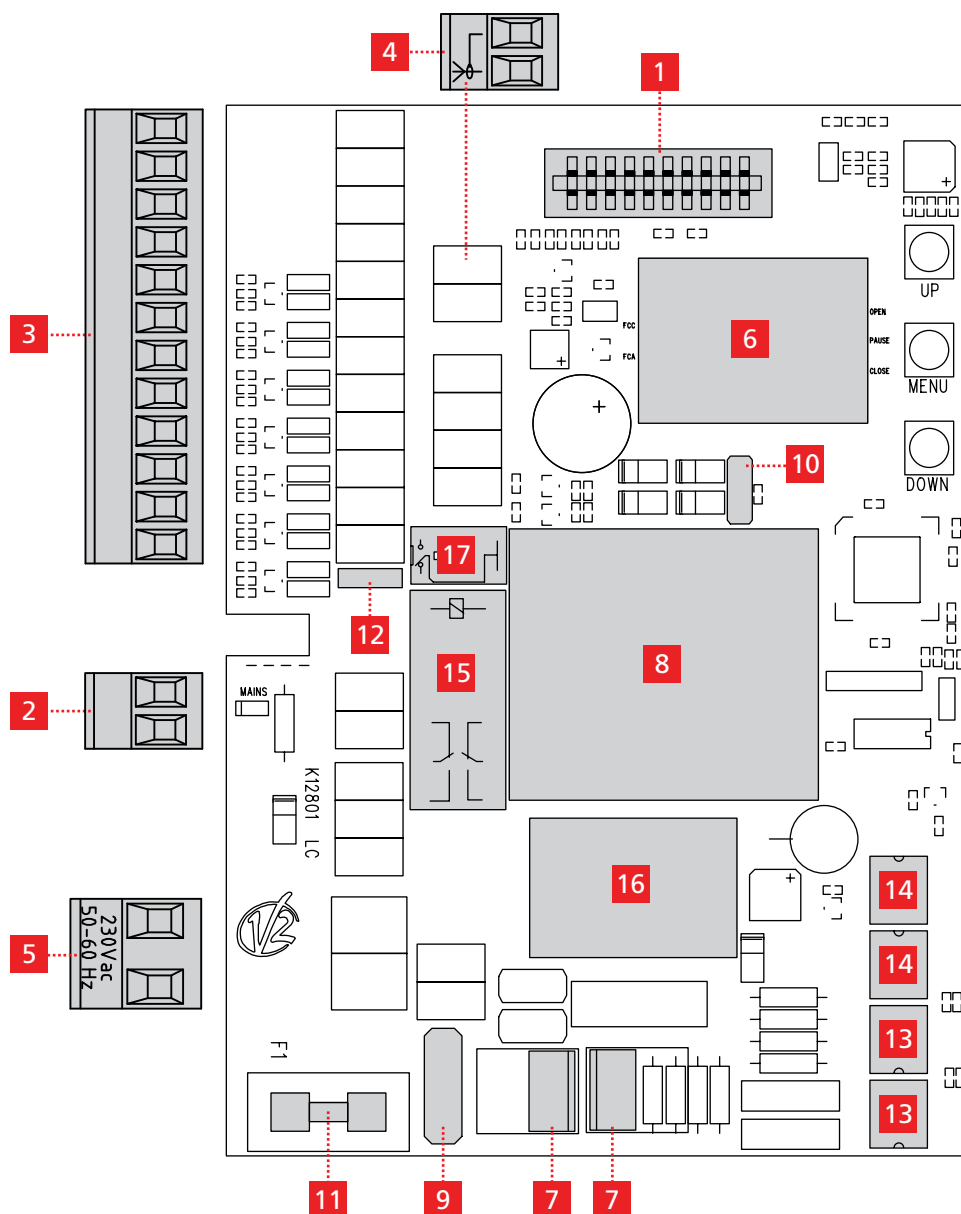
CODE	PRICE (€)
1 AKD029	1,00
2 AKD043	4,50
3 AKD045	2,00
4 AKE016 (230V model)	1,00
AKE018 (120V model)	1,00
5 RTR004	2,00
6 TRA002 (230V model)	9,00
TRA003 (120V model)	9,00
7 VAR002 (230V model)	2,00
VAR001 (120V model)	2,00
8 FSB003	2,00
9 REL002	3,50
10 REL010	2,00
11 REL005	2,00

CODE	PRICE (€)
171223 (plastic case)	15,00

PACKAGING

CODE	PRICE (€)
ZM123B (external packaging)	3,50

PD8 (cod. 171216 - 171217 - 171219)

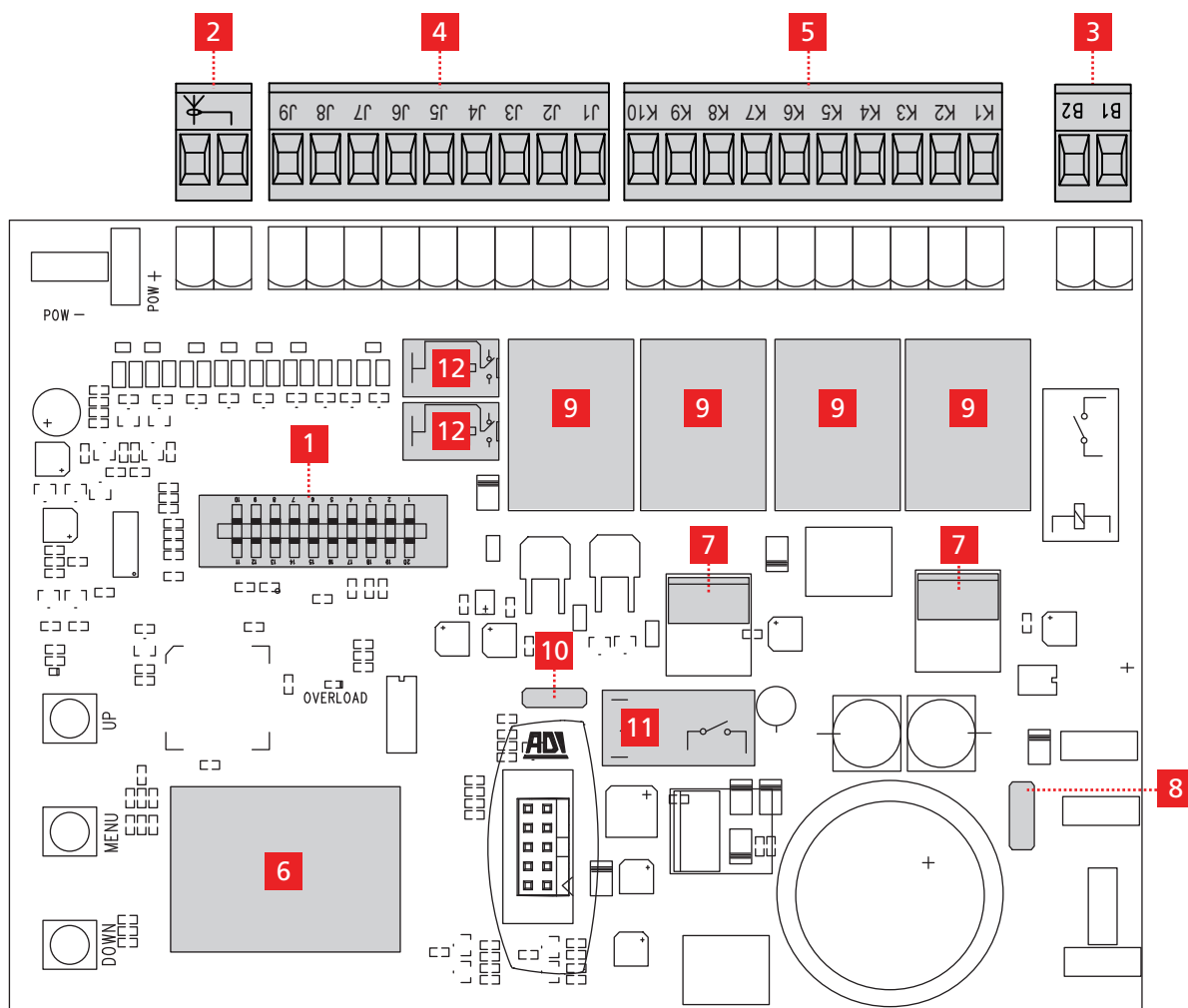


CODE	PRICE (€)
1 ACN028	2,50
2 AKD001	1,00
3 AKD012	4,00
4 AKD029	1,00
5 AKE016 (230V model)	1,00
AKE018 (120V model)	1,00
6 DIS006	4,00
7 STC006	2,50
8 TRA002 (230V model)	9,00
TRA003 (120V model)	9,00
9 VAR002 (230V model)	2,00
VAR001 (120V model)	2,00

CODE	PRICE (€)
10 VAR004	2,00
11 FSB003 (230V model)	2,00
FSB004 (120V model)	2,00
12 PTC002	2,00
13 OPT004	2,00
14 OPT006	2,00
15 REL003	4,00
16 LIT006	2,00
17 REL005	2,00

CODE	PRICE (€)
171215 (plastic case)	8,00

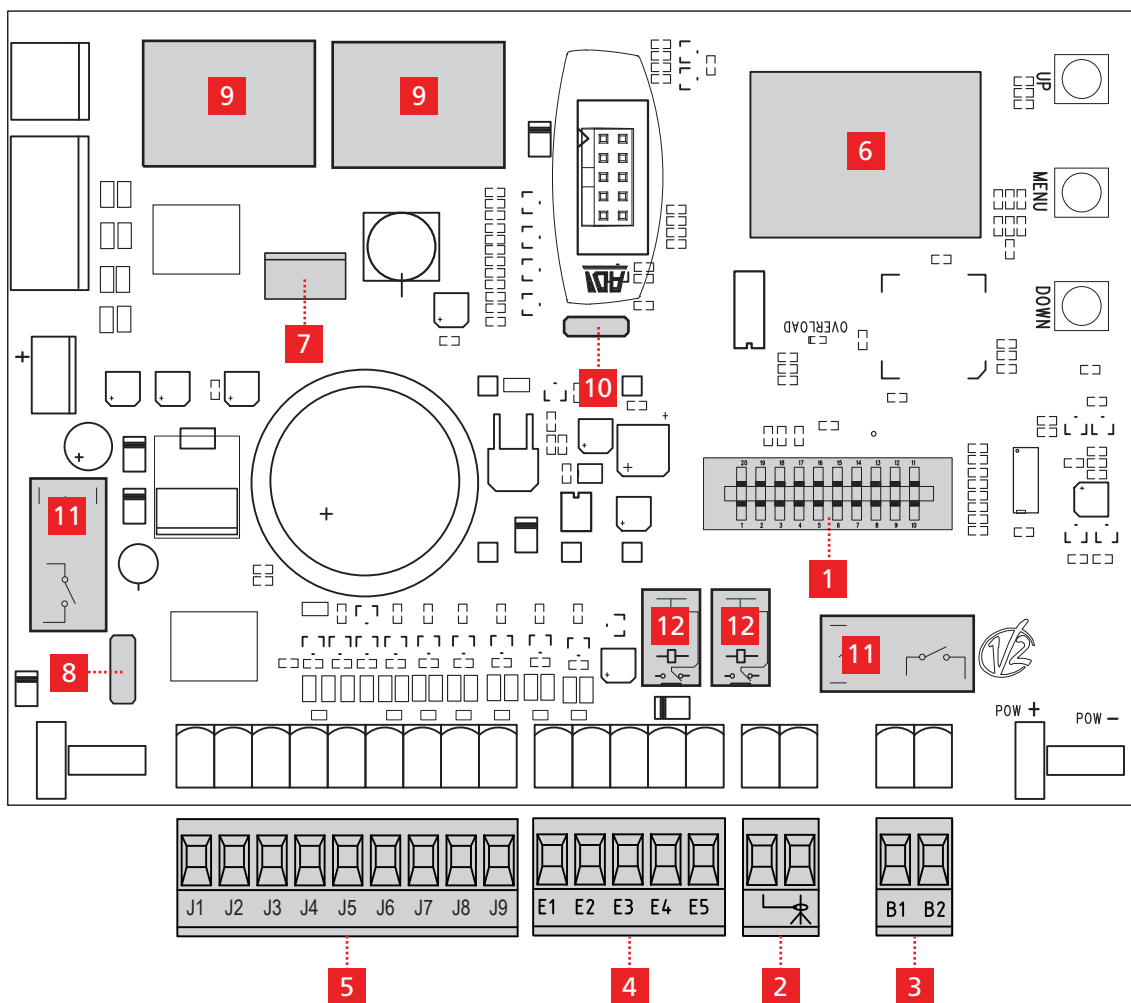
PD12



CODE	PRICE (€)
1 ACN028	2,50
2 AKD029	1,00
3 AKD034	1,00
4 AKD047	3,50
5 AKD048	3,50
6 DIS006	4,00
7 SMO006	8,00
8 VAR004	2,00
9 REL006	2,50
10 PTC003	2,00
11 REL013	2,00
12 REL005	2,00

CODE	PRICE (€)
171253 (electronic board)	140,00
171257 (plastic case)	8,00

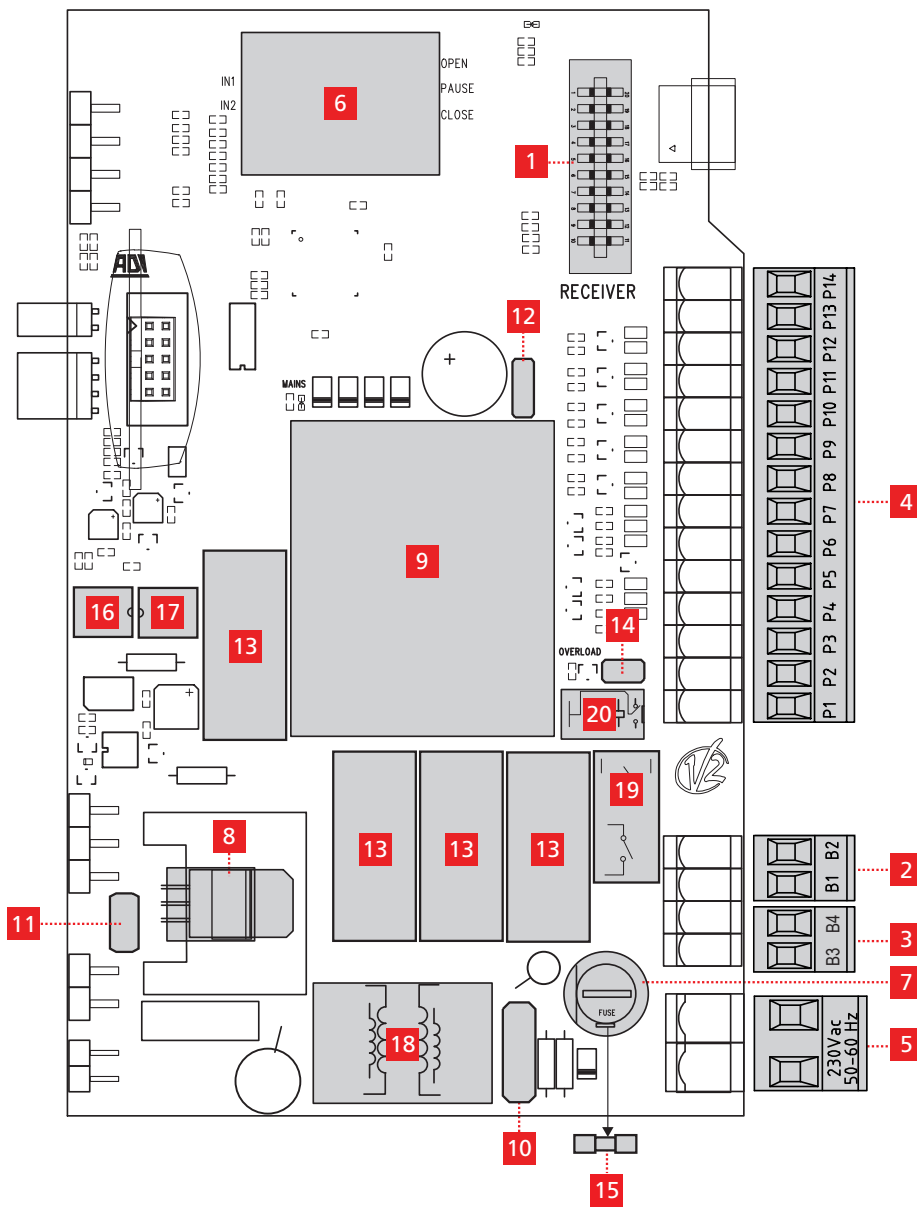
PD13



CODE	PRICE (€)
1 ACN028	2,50
2 AKD029	1,00
3 AKD034	1,00
4 AKD045	2,00
5 AKD047	3,50
6 DIS006	4,00
7 SMO007	5,00
8 VAR004	2,00
9 REL006	2,50
10 PTC003	2,00
11 REL013	2,00
12 REL005	2,00

CODE	PRICE (€)
171256 (electronic board)	113,00
171262 (plastic case)	8,00

PD18

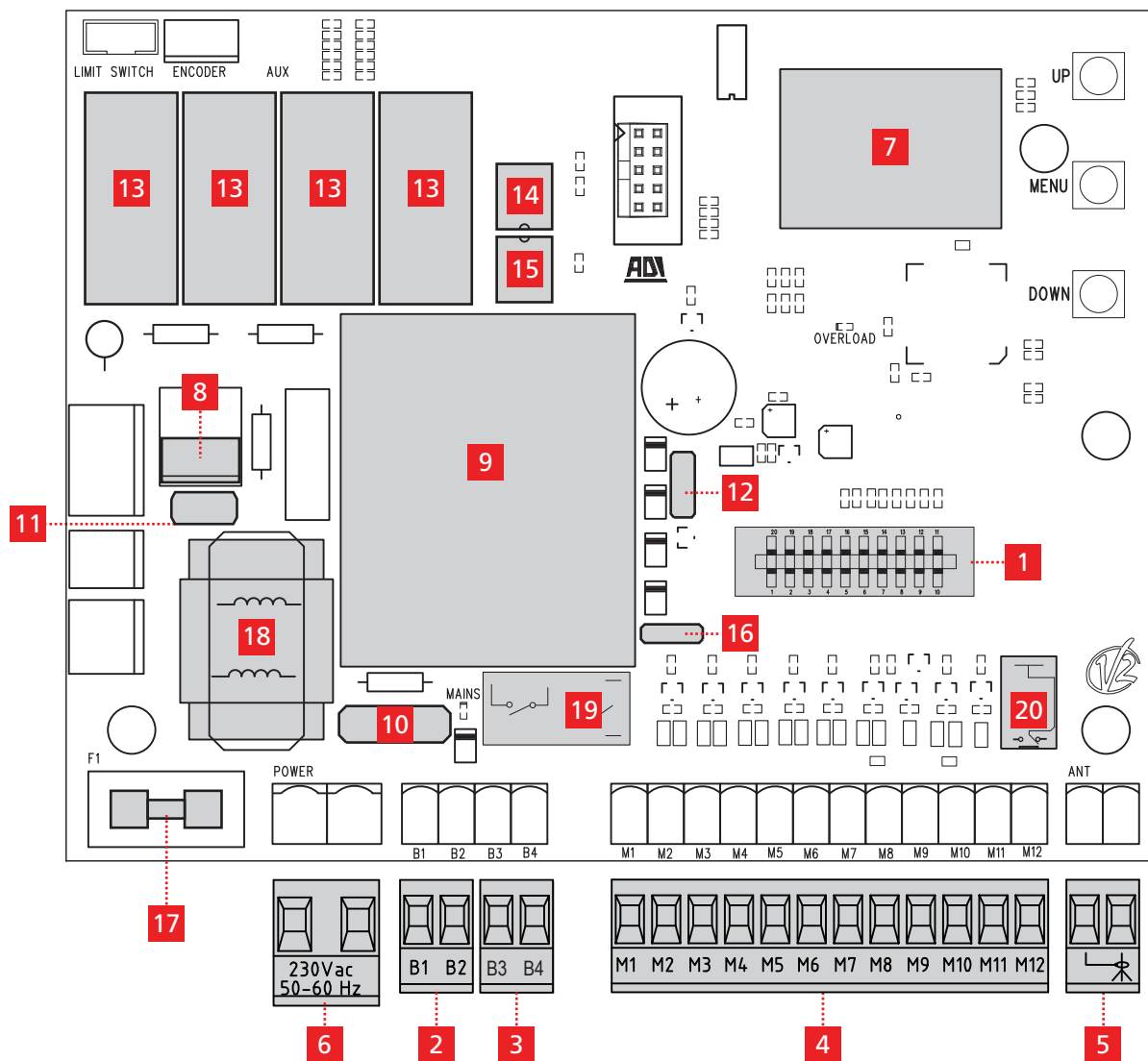


CODE		PRICE (€)
1	ACN028	2,50
2	AKD034	1,00
3	AKD036	1,00
4	AKD041	4,50
5	AKE016	1,00
6	DIS006	4,00
7	POR009	2,00
8	STC005	4,50
9	TRA026	15,00
10	VAR002	2,00
11	VAR003	2,00
12	VAR004	2,00

CODE		PRICE (€)
13	REL019	5,00
14	PTC001	2,00
15	FSB005	2,00
16	OPT004	2,00
17	OPT006	2,00
18	LIT009	6,00
19	REL010	2,00
20	REL005	2,00

CODE		PRICE (€)
171238	(electronic board)	140,00
171218	(plastic case)	17,50

PD19

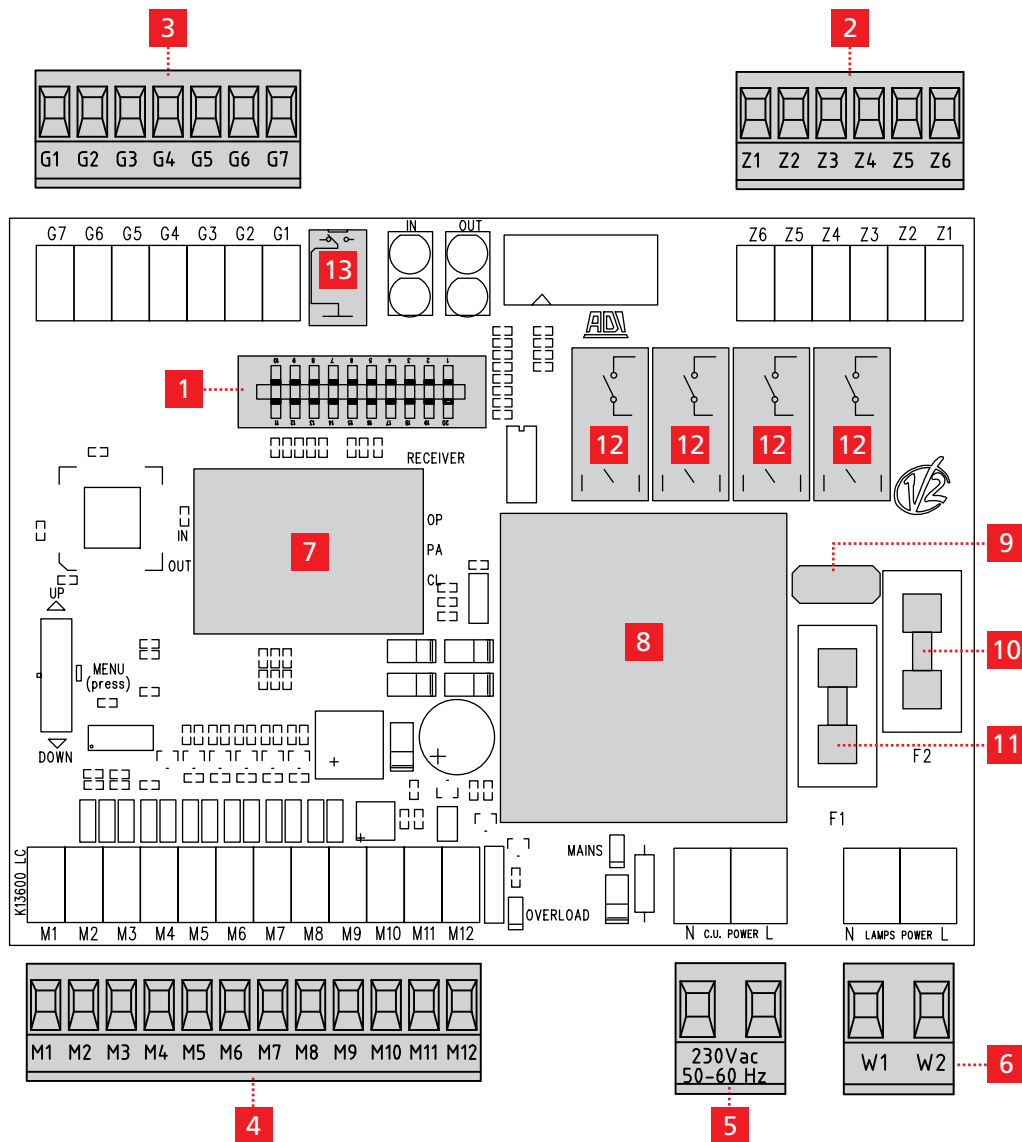


CODE		PRICE (€)
1	ACN028	2,50
2	AKD034	1,00
3	AKD036	1,00
4	AKD037	4,00
5	AKD029	1,00
6	AKE016	1,00
7	DIS006	4,00
8	STC005	4,50
9	TRA026	15,00
10	VAR002	2,00
11	VAR003	2,00
12	VAR004	2,00

CODE		PRICE (€)
13	REL019	5,00
14	OPT004	2,00
15	OPT006	2,00
16	PTC001	2,00
17	FSB005	2,00
18	LIT009	6,00
19	REL010	2,00
20	REL005	2,00

CODE		PRICE (€)
171266	(electronic board)	140,00
171265	(plastic case)	18,00

CITY5



CODE	PRICE (€)
1 ACN028	2,50
2 AKD031	2,00
3 AKD033	2,50
4 AKD037	4,00
5 AKE016 (230V model)	1,00
AKE018 (120V model)	1,00
6 AKE019	4,00
7 DIS006	4,00
8 TRA002 (230V model)	9,00
TRA003 (120V model)	9,00
9 VAR003 (230V model)	2,00
VAR001 (120V model)	2,00

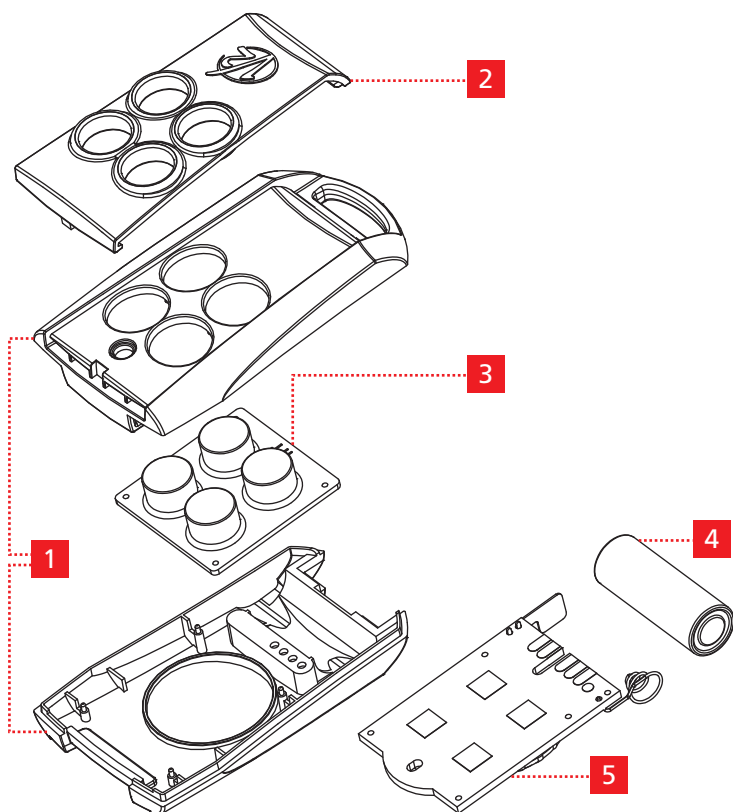
CODE	PRICE (€)
10 FSB003	2,00
11 FSB007	2,00
12 REL010	
13 REL005	2,00

CODE	PRICE (€)
171223 (plastic case)	15,00

PACKAGING

CODE	PRICE (€)
ZM123B (external packaging)	3,50

PHOENIX4

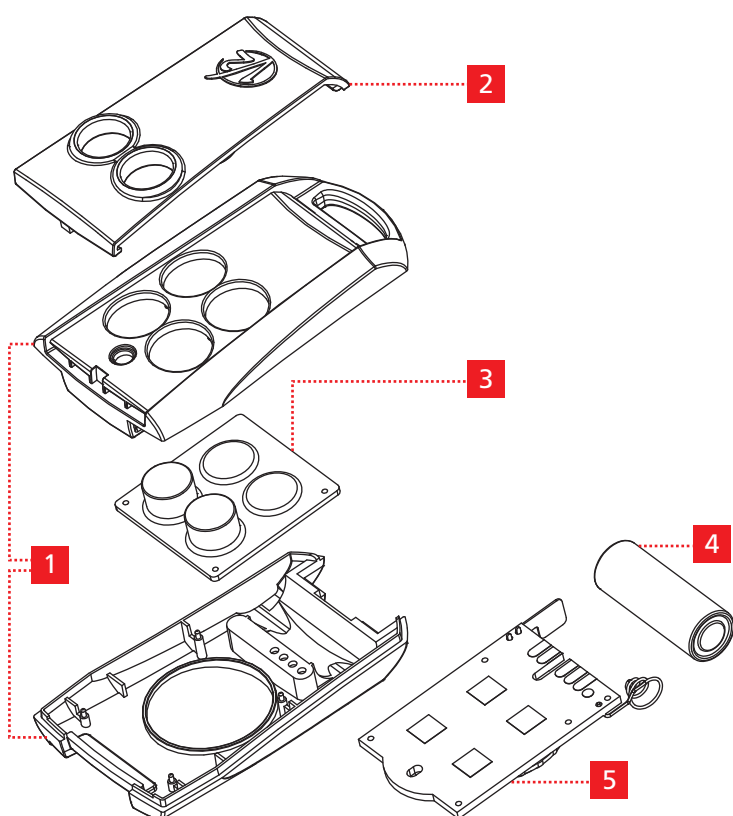


	CODE	PRICE (€)
1	171043	2,60
	MP595A (black)	2,00
	MP610A (bordeaux)	2,00
2	MP451A (blue)	2,00
	MP669A (pink)	2,00
	MP670A (green)	2,00
	MP671A (red)	2,00
3	TAS003	2,00
4	BAT003	2,00
	171007 (433.92 MHz)	23,00
5	171045 (868.30 MHz)	23,00

PACKAGING

	CODE	PRICE (€)
	ZM251A (1 pc)	1,00
	ZM131B (13 pcs)	1,50

PHOENIX2

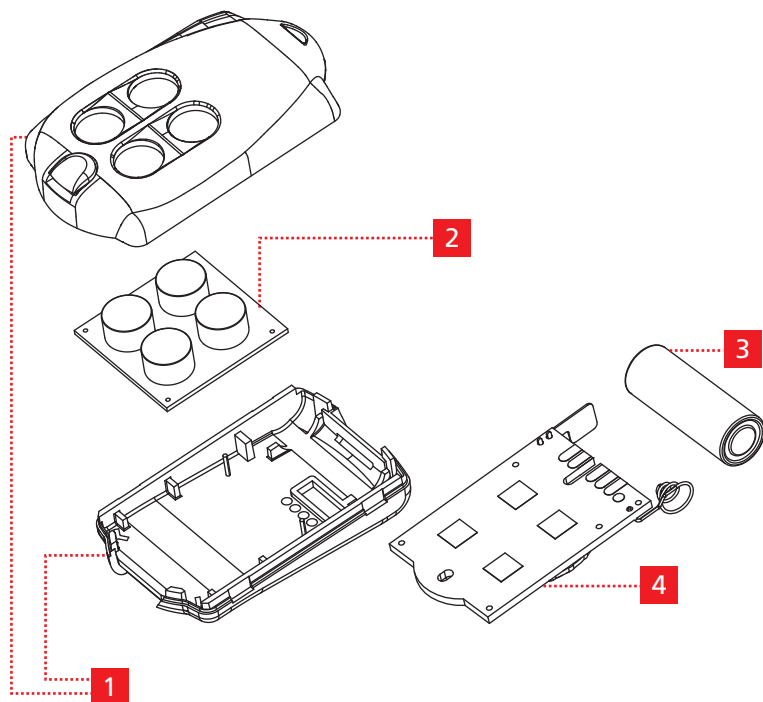


	CODE	PRICE (€)
1	171043	2,60
	MP493A (black)	2,00
2	MP609A (bordeaux)	2,00
	TAS026	2,00
3	BAT003	2,00
	171007 (433.92 MHz)	23,00
5	171045 (868.30 MHz)	23,00

PACKAGING

	CODE	PRICE (€)
	ZM251A (1 pc)	1,00
	ZM131B (13 pcs)	1,50

TSC-4

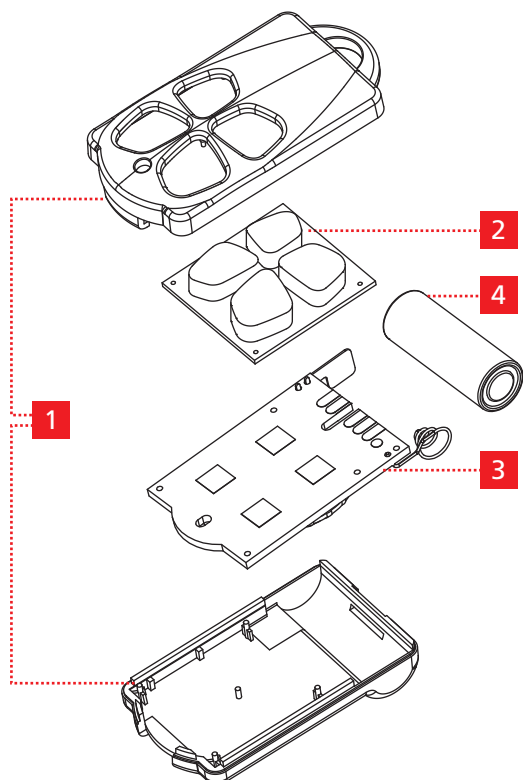


	CODE	PRICE (€)
	171003 (blue)	2,60
1	171017 (blue vip)	2,60
	171004 (white)	2,60
2	TAS003	2,00
3	171007 (433.92 MHz)	23,00
4	BAT003	2,00

PACKAGING

	CODE	PRICE (€)
	ZIM054 (1 pc)	1,50
	ZM131B (12 pcs)	1,50

TRC-4

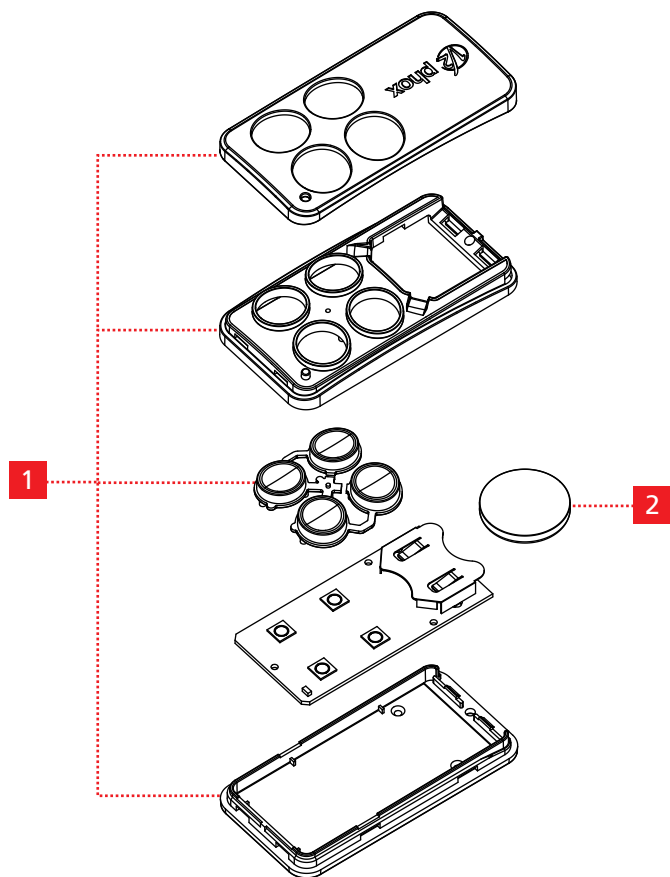


	CODE	PRICE (€)
1	171006	2,60
2	TAS001	2,00
3	171007 (433.92 MHz)	23,00
4	BAT003	2,00

PACKAGING

	CODE	PRICE (€)
	ZIM230 (1 pc)	1,50
	ZIM038 (12 pcs)	1,50

PHOX4

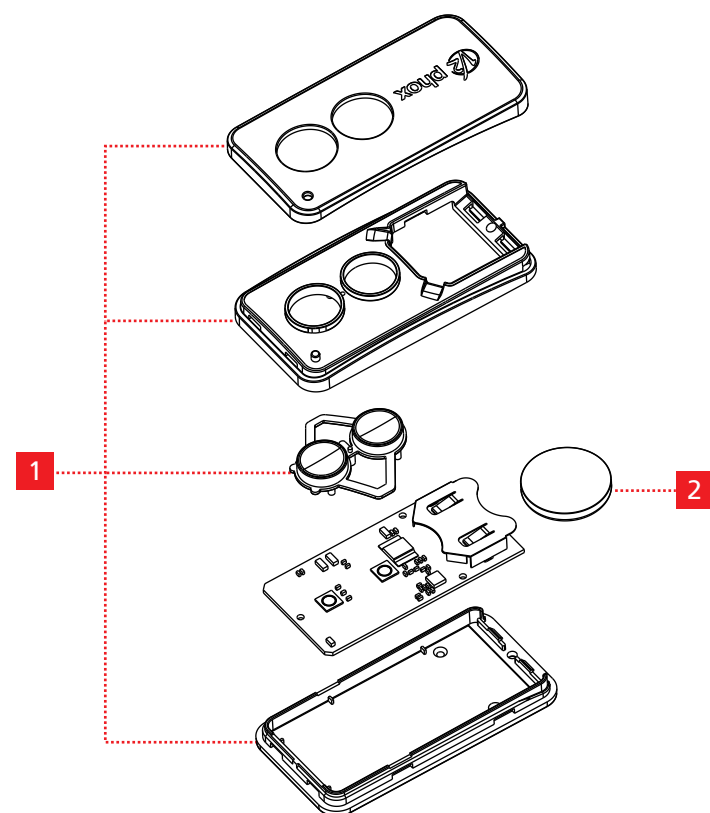


	CODE	PRICE (€)
1	171055 (433 models)	4,50
	171059 (868 models)	4,50
2	BAT006	2,00

PACKAGING

CODE	PRICE (€)
ZM251A (1 pc)	1,00
ZM037B (10 pcs)	1,00

PHOX2

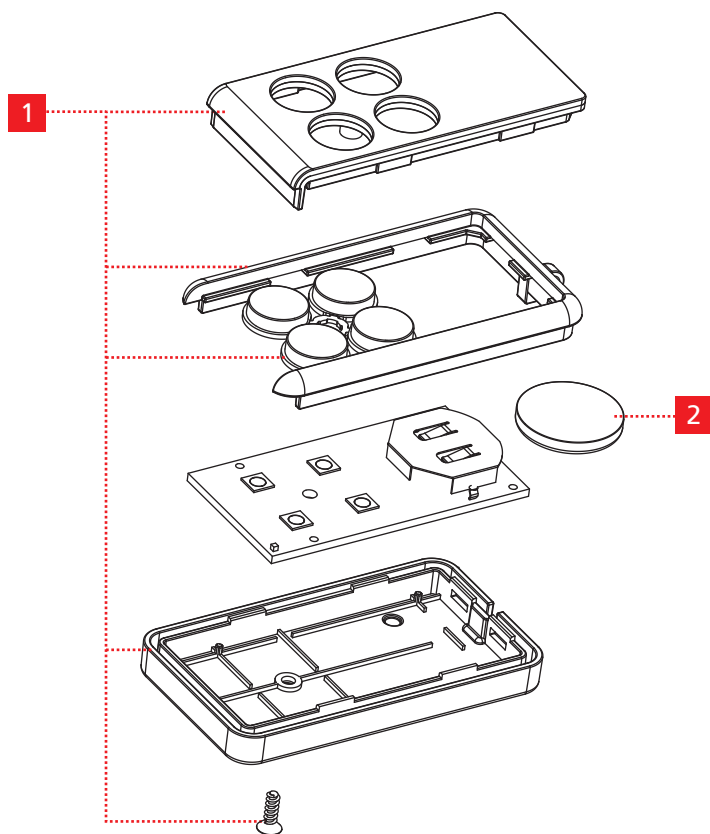


	CODE	PRICE (€)
1	171054 (433 models)	4,50
	171058 (868 models)	4,50
2	BAT006	2,00

PACKAGING

CODE	PRICE (€)
ZM251A (1 pc)	1,00
ZM037B (10 pcs)	1,00

MATCH

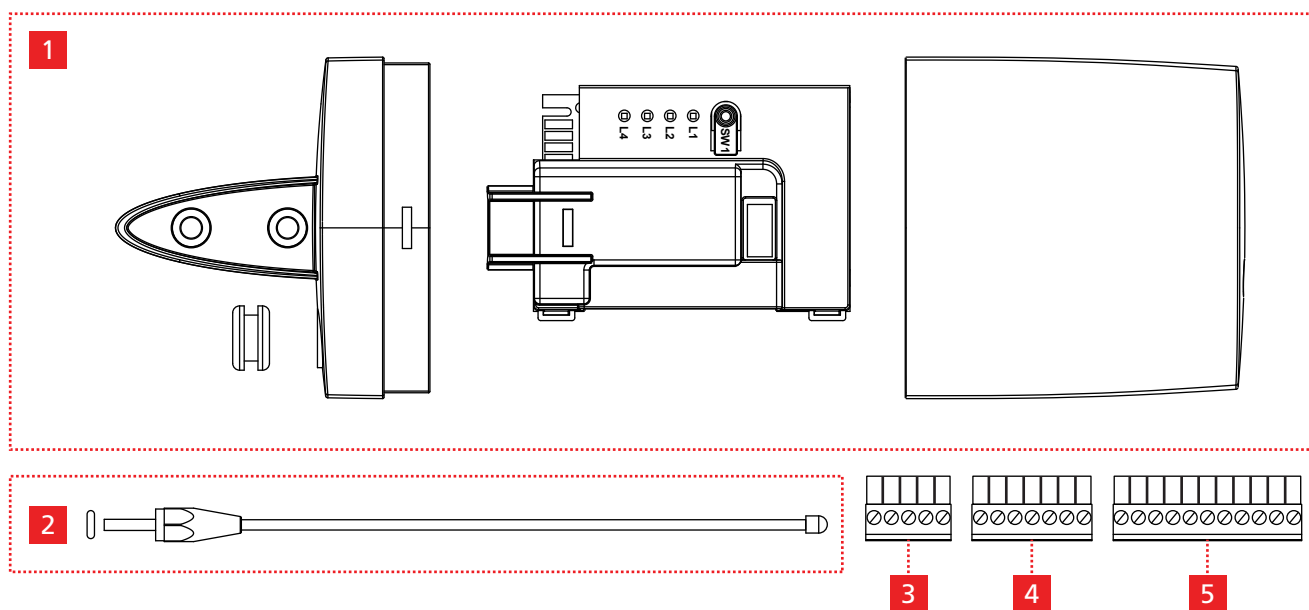


	CODE	PRICE (€)
1	171056 (white)	7,50
	171057 (black)	7,50
3	BAT006	2,00

PACKAGING

	CODE	PRICE (€)
	ZIM248 (1 pc)	1,00
	ZM131B (10 pcs)	1,50

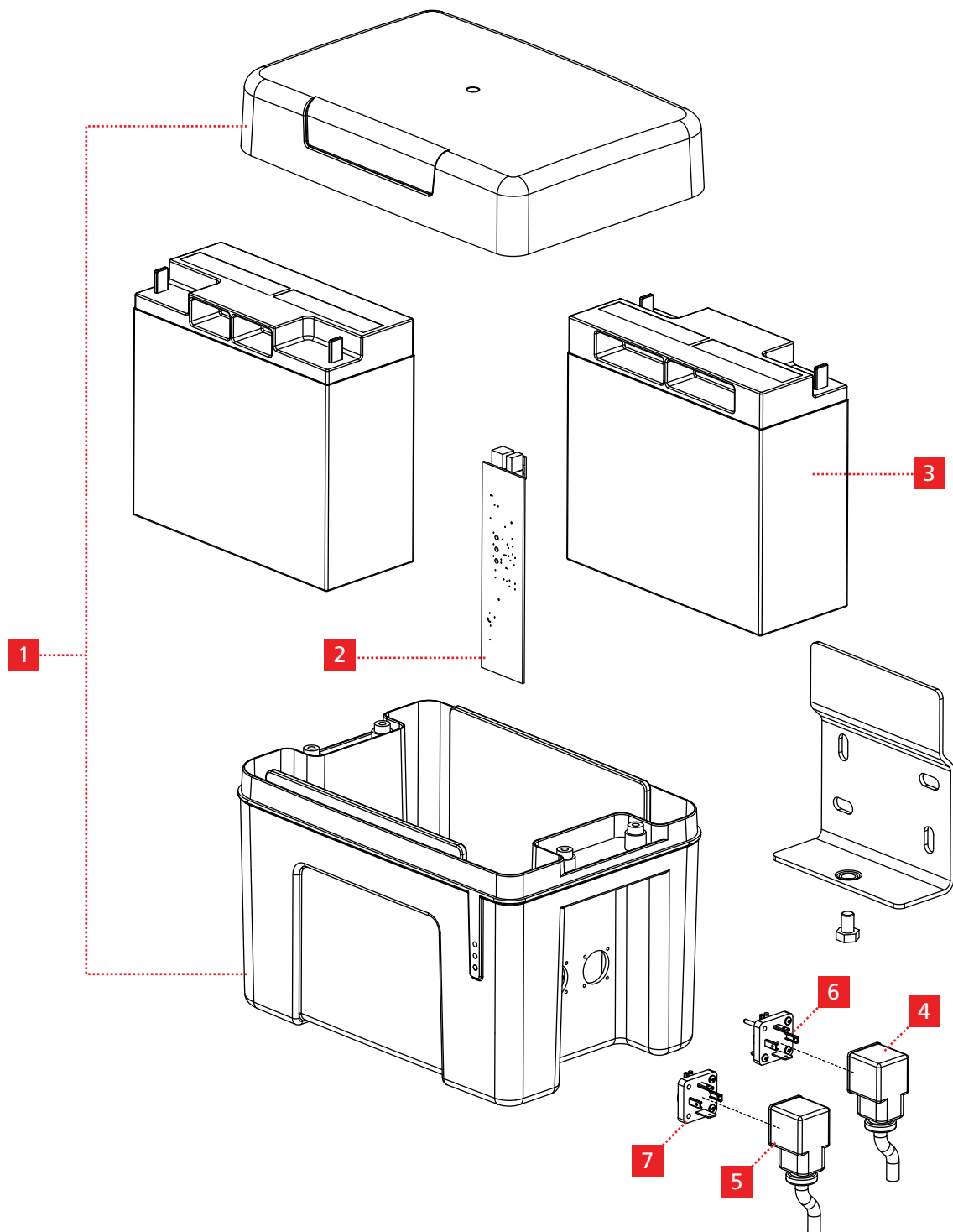
WALLY



	CODE	PRICE (€)
1	171105	6,00
2	171107	5,50

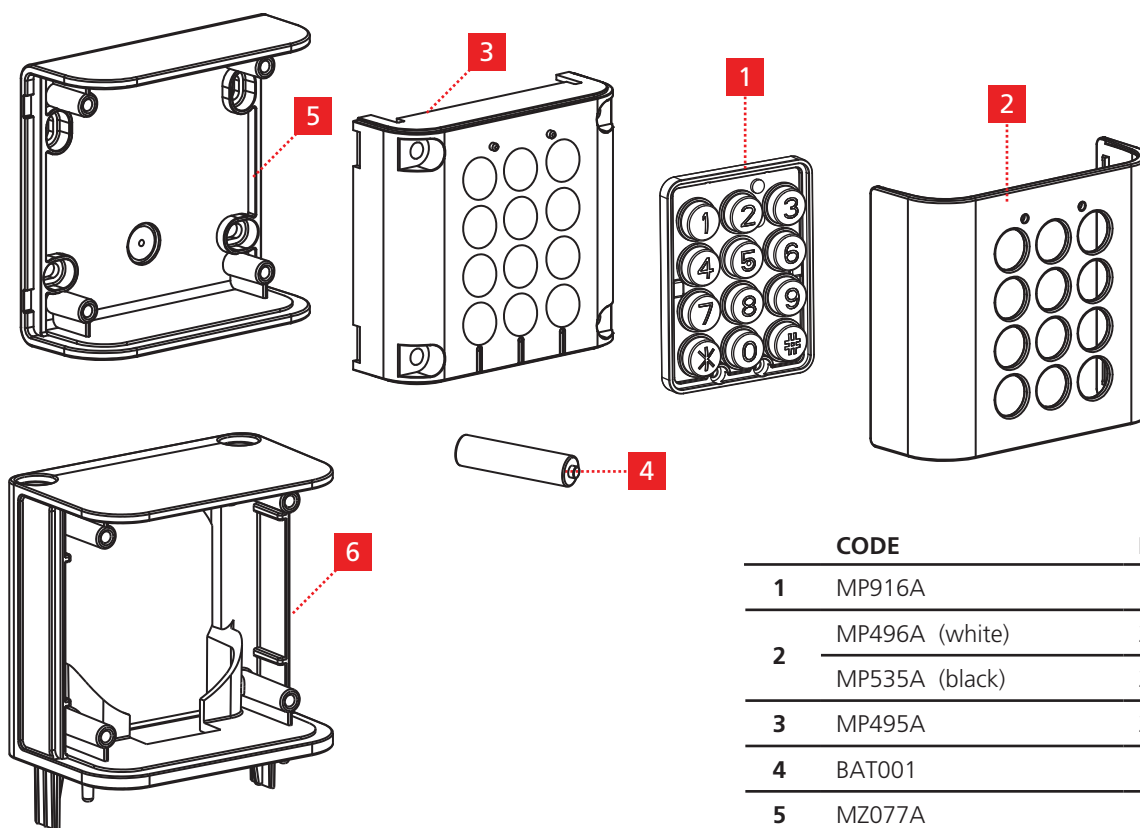
	CODE	PRICE (€)
3	AKB001	1,50
4	AKB003	2,50
5	AKB005	3,50

ECO-LOGIC



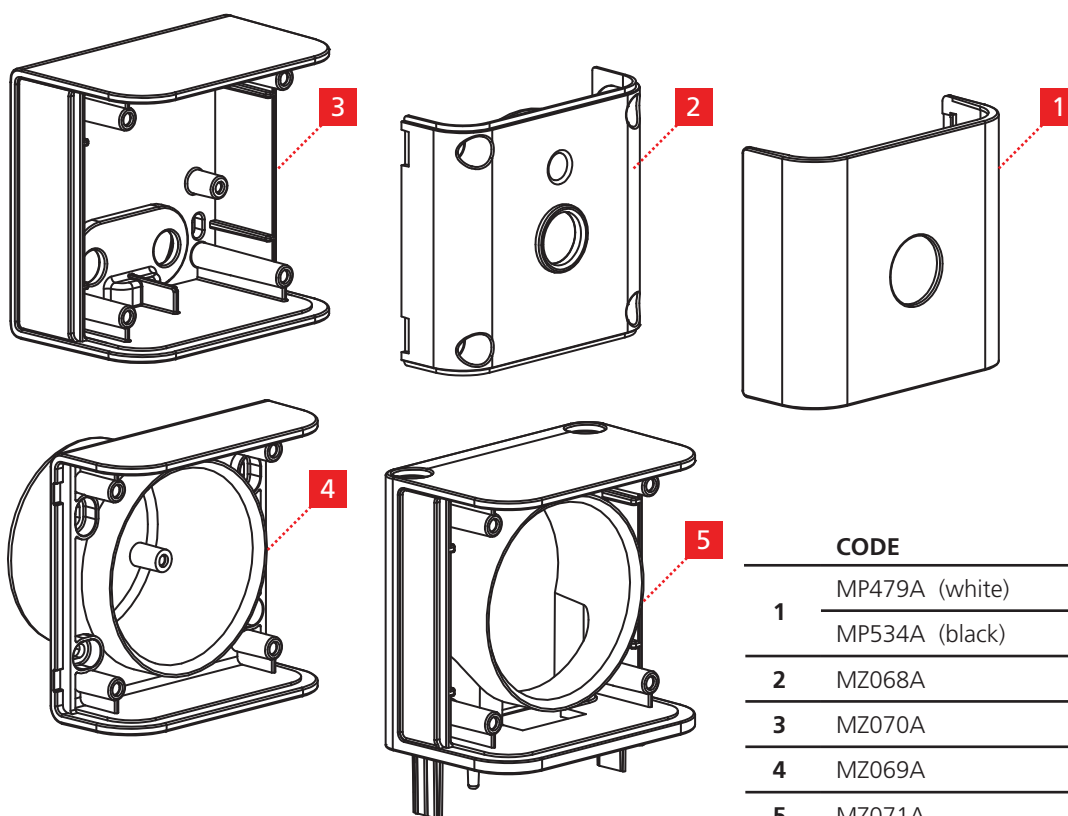
	CODE	PRICE (€)
1	172803	64,00
2	171254	37,00
3	BAT014	136,00
4	MCE017 (black)	4,00
5	MCE098 (grey)	4,00
6	CAB062	6,00
7	CAB063	13,00

SIRMO-DIGIT



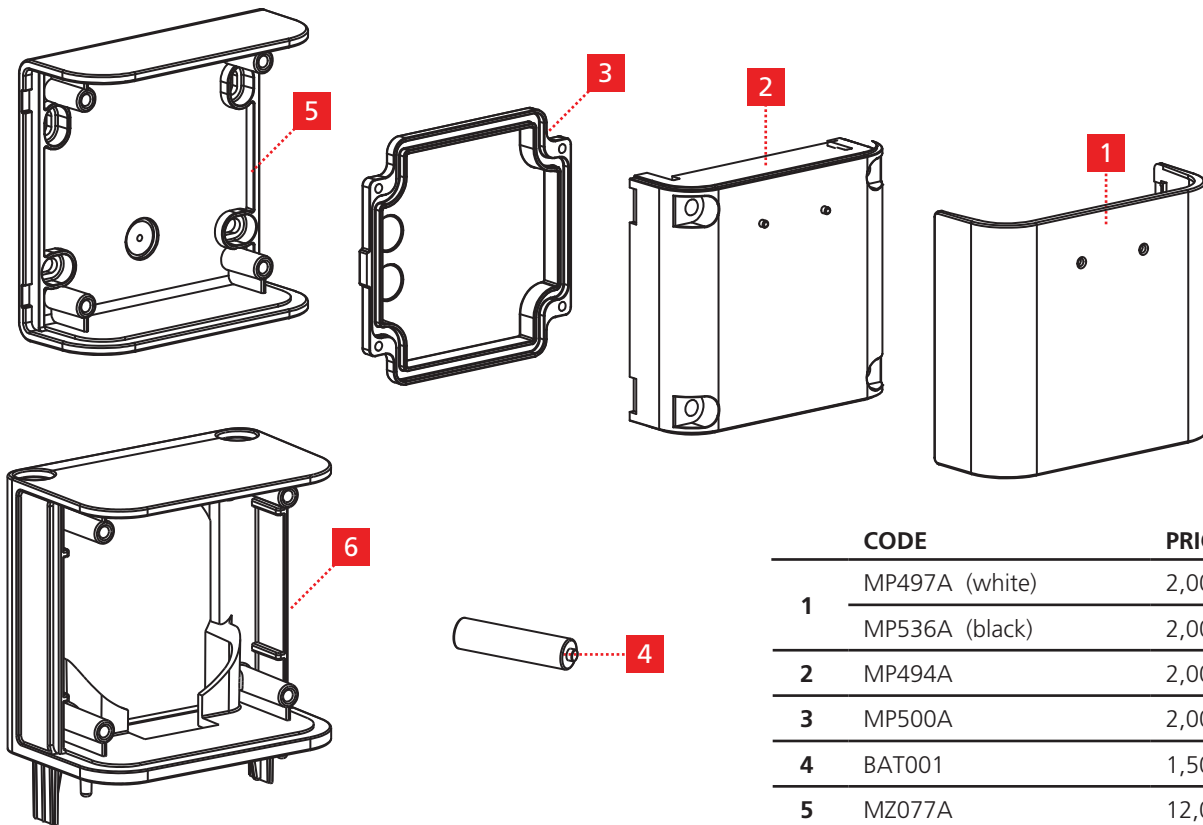
	CODE	PRICE (€)
1	MP916A	17,00
2	MP496A (white)	2,00
	MP535A (black)	2,00
3	MP495A	2,00
4	BAT001	1,50
5	MZ077A	12,00
6	MZ078A	12,00

SIRMO



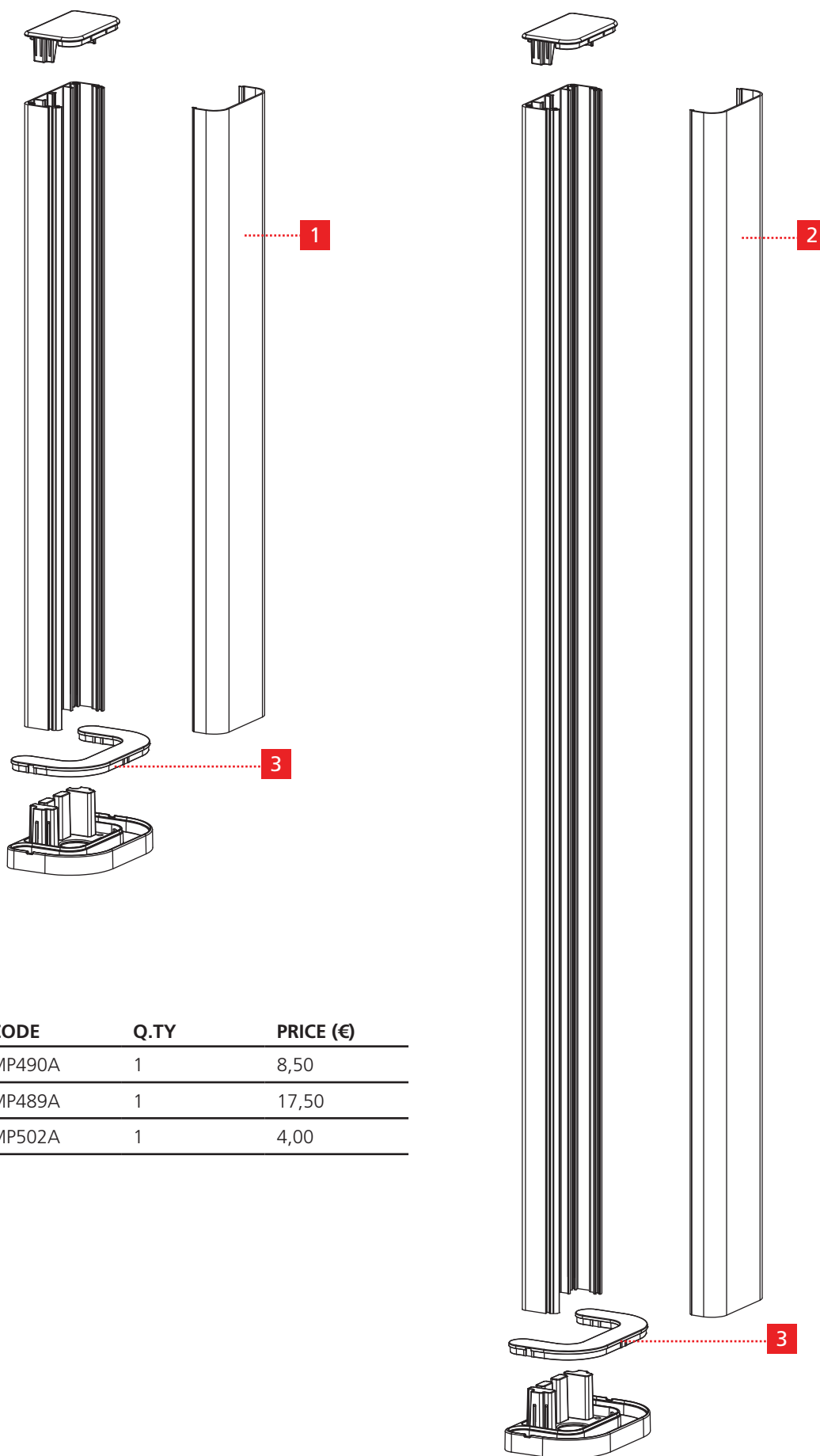
	CODE	PRICE (€)
1	MP479A (white)	2,00
	MP534A (black)	2,00
2	MZ068A	8,00
3	MZ070A	12,00
4	MZ069A	12,00
5	MZ071A	12,00

PROKSIMA - NEXT



	CODE	PRICE (€)
1	MP497A (white)	2,00
	MP536A (black)	2,00
2	MP494A	2,00
3	MP500A	2,00
4	BAT001	1,50
5	MZ077A	12,00
6	MZ078A	12,00

GARDO



	CODE	Q.TY	PRICE (€)
1	MP490A	1	8,50
2	MP489A	1	17,50
3	MP502A	1	4,00

SENSIVA-XS

1

	CODE	Q.TY	PRICE (€)
1	171304	2	9,50

SENSIVA-180 / SENSIVA-WL / SENSIVA-PLUS

1

	CODE	Q.TY	PRICE (€)
1	171305	2	12,50

SENSIVA

1

The diagram shows the back cover assembly for the SENSIVA device. It includes two screws with handles, a rectangular back cover, a front panel, and two mounting brackets with screws. The front panel is shown being inserted into the back cover.

	CODE	Q.TY	PRICE (€)
1	171303	2	19,50

DFN

1

The diagram shows the front panel assembly for the DFN device. It includes four screws, a front panel with a circular cutout, a circular back cover, a rectangular back cover, and four mounting brackets with screws. The front panel is shown being inserted into the back cover.

	CODE	Q.TY	PRICE (€)
1	171301	2	16,00

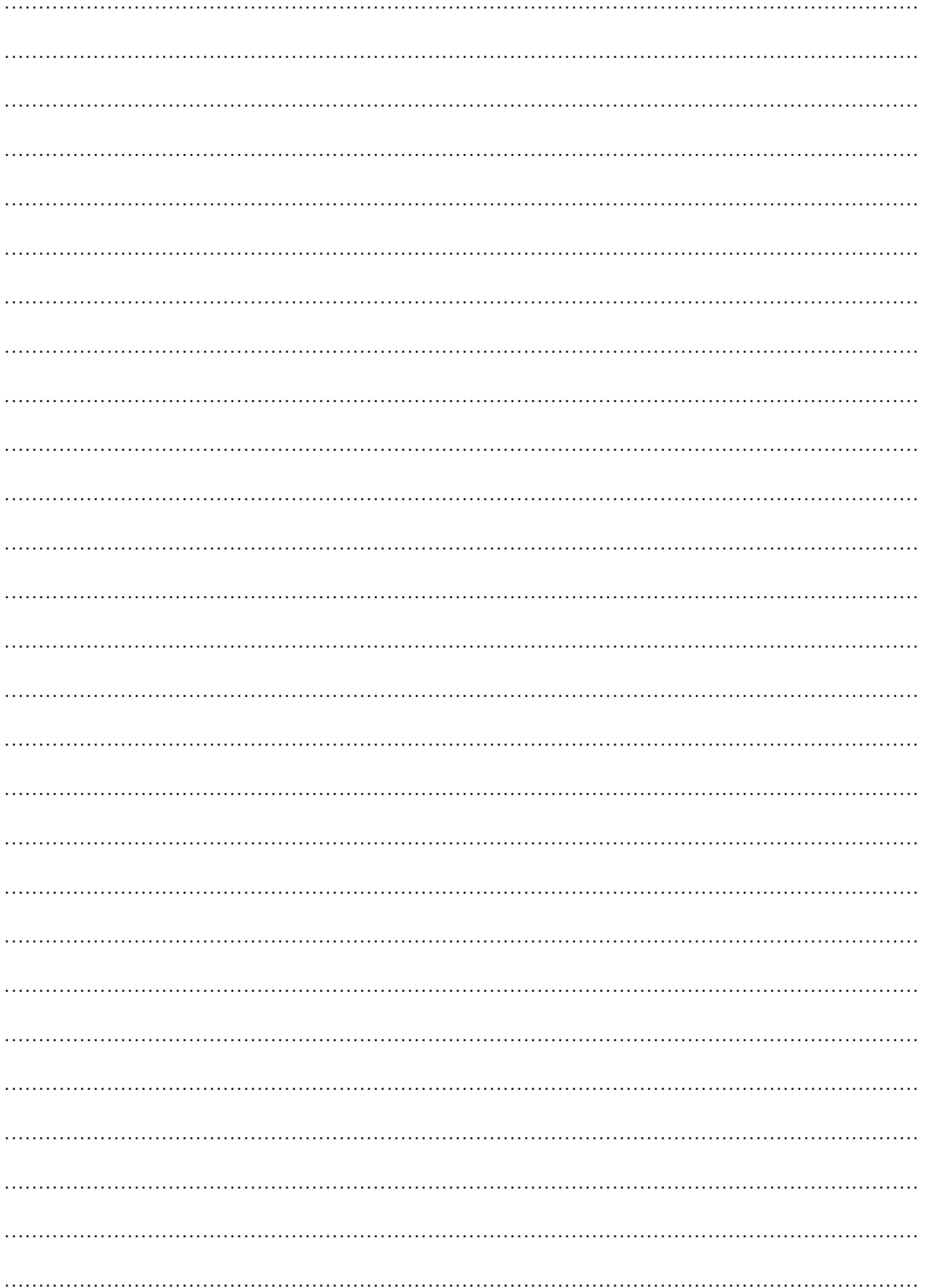
RIF50

1

	CODE	Q.TY	PRICE (€)
1	171302	2	14,00

BT01

	CODE	PRICE (€)
1	171108	4,00



info@v2home.com - www.v2home.com



domotics & love