



EAGLE

COMUNELLO
AUTOMATION

Underground electromechanical actuators for residential swing gates.
For leaves up to 3.5 m (max. leaf weight 350 kg) and up to 600 kg (max. leaf length 2 m).



EAGLE

For swing leaves
up to 3.50 m / 600 kg



Eagle is a line of in-ground actuators designed to provide a solution for projects and architectural designs which require completely clean lines. These actuators are extremely corrosion resistant, discrete and compact. Absolute security and reliability are guaranteed across the three models with lever or key release systems available internally and externally. Eagle actuators are practical and rapid to install, simple and intuitive to use. Optional versions with encoder are also available.



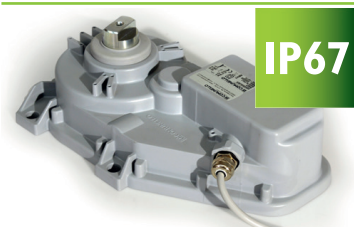
ARTICLE	EAGLE 24V	EAGLE 24V EC	EAGLE 230V	EAGLE 230V EC
Operating power supply	24 VDC	24 VDC	230 VAC	230 VAC
Power consumption	150 W	150 W	280 W	280 W
Max. absorption.	6,5 A	6,5 A	1,2 A	1,2 A
Torque	220 Nm	220 Nm	300 Nm	300 Nm
Duty cycle	Intensive use	Intensive use	50%	50%
Protection degree (IP)	IP67	IP67	IP67	IP67
Insulation class	2	2	1 (earthing)	1 (earthing)
Working temperature	-20°C / +50°C	-20°C / +50°C	-20°C / +50°C	-20°C / +50°C
Encoder	-	Yes	-	Yes
Speed	0,1 Rad/s	0,1 Rad/s	0,08 Rad/s	0,08 Rad/s
Weight	14,5 kg	15 kg	15 kg	15 kg



EAGLE

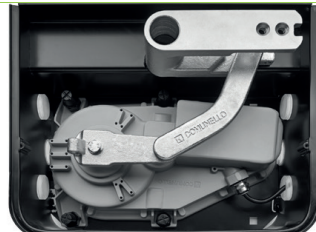
COMUNELLO AUTOMATION

STRONG



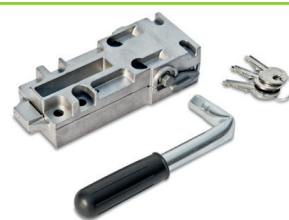
Fully protected internal operator in die-cast aluminium crankcase. Metallic cable gland, fully resin-coated internally.

MECHANICAL MADE IN COMUNELLO



Galvanized steel arms made by Comunello. Foundation box in cataphoresis-finish steel or stainless steel.

SAFE



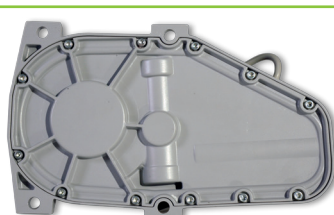
Manual unlocking system in the versions with key, key and leverage and leverage.

LIMIT STOPS



Versions with mechanical and electromechanic limit switches. Programmable automatic/semiautomatic limit switch, timer and speed reducer.

FIXING



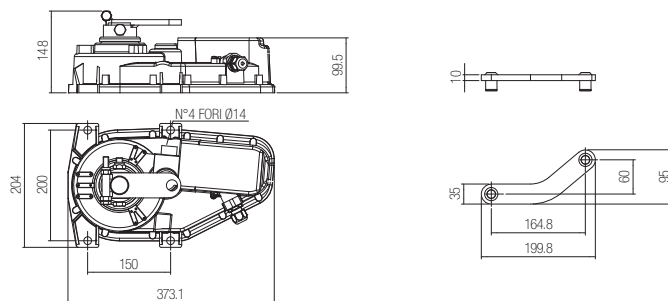
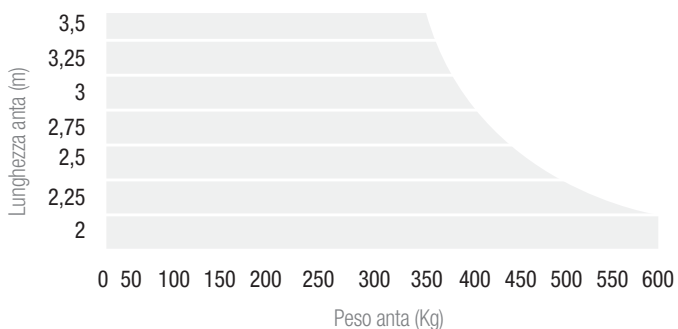
Stainless steel screws for greater corrosion resistance.

OBSTACLE DETECTION



Optional versions with Encoder for more accurate and safer deceleration.

OPERATING LIMITS



MAIN FITTINGS



AC 30
OUTDOOR ANTENNA



EAGLE BOX
EAGLE BOX INOX



AC 185
360° OPENING SET



AC 160
UNLOCKING SET WITH KEY AND LEVERAGE



AC 190
ELECTRONIC LIMIT SWITCH SET FOR UNDERGROUND GATE



QUAD 1 / QUAD 2 / QUAD HP
ELECTRIC SWITCHBOARD FOR 1 OR 2 OPERATORS



DART
PHOTOCELLS



SWIFT LED
BLINKING WARNING LIGHTS



VICTOR 2 RC
2 CHANNEL, ROLLING CODE REMOTE CONTROL



INDEX
KEY SELECTOR SWITCH



TACT RADIO
DIGITAL SWITCH WITH RADIO CONTROLLED KEYPAD



MAST 50
EXTRUDED ALUMINIUM COLUMN H 50 CM

PLEASE FIND A COMPLETE LIST OF ACCESSORIES ON WWW.COMUNELLO.COM