



# CONDOR 220

**COMUNELLO**  
AUTOMATION

Electromechanical actuators with articulated arm for residential swing gates.  
For leaves up to 2.2 m (max. leaf weight 150 kg) and up to 250 kg (max. leaf length 1 m).



**CONDOR 220** For swing leaves up to 2.20 m / 250 kg

From the impact-resistant case to the die-cast alloy arm, our line of articulated arm actuators Condor ensures excellent strength in all its parts. Constructed to provide absolute safety in case of emergency as well as maximum power output from elevated torque. The new control unit performs to the highest standards and provides simple automated/semi-automated programming for limit switches. The ideal solution for intensive use situations.



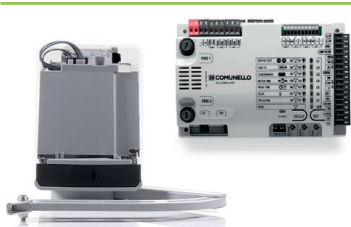
ARTICLE	CONDOR 220 24V FM	CONDOR 220 24V FE	CONDOR 220 24V FE E	CONDOR 220 24V FM SC	CONDOR 220 230V FM	CONDOR 220 230V FE	CONDOR 220 230V FE E	CONDOR 220 230V FM SC
Voltage	230 VAC 50 Hz	230 VAC 50 Hz	230 VAC 50 Hz	230 VAC 50 Hz	230 VAC 50 Hz	230 VAC 50 Hz	230 VAC 50 Hz	230 VAC 50 Hz
Operating power supply	24 VDC	24 VDC	24 VDC	24 VDC	230 VAC	230 VAC	230 VAC	230 VAC
Power consumption	110 W	110 W	110 W	110 W	280 W	280 W	280 W	280 W
Max. absorption.	5 A	5 A	5 A	5 A	1,2 A	1,2 A	1,2 A	1,2 A
Torque	150 Nm	150 Nm	150 Nm	150 Nm	250 Nm	250 Nm	250 Nm	250 Nm
Duty cycle	50%	50%	50%	50%	50%	50%	50%	50%
Protection degree (IP)	IP44	IP44	IP44	IP44	IP44	IP44	IP44	IP44
Insulation class	2	2	2	2	1 (earthing)	1 (earthing)	1 (earthing)	1 (earthing)
Working temperature	-20°C / +50°C	-20°C / +50°C	-20°C / +50°C	-20°C / +50°C	-20°C / +50°C	-20°C / +50°C	-20°C / +50°C	-20°C / +50°C
Encoder	-	-	Yes	-	-	-	Yes	-
Speed	0,10 rad/s	0,10 rad/s	0,10 rad/s	0,10 rad/s	0,10 rad/s	0,10 rad/s	0,10 rad/s	0,10 rad/s
Weight	10 kg	10 kg	10 kg	10 kg	10 kg	10 kg	10 kg	8 kg



# CONDOR 220

**COMUNELLO**  
AUTOMATION

## PRACTICAL



Integrated control unit and receiver. LED / Trimmer adjustments for easy programming and diagnosis.

## MECHANICAL MADE IN COMUNELLO



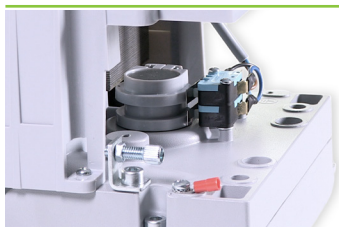
Shock-resistant aluminium case. Metallic gear reducer and bearings.

## SAFE



Irreversible motor. Easy-opening key-operated emergency release mechanism with aluminium handle.

## LIMIT STOPS



Available versions with mechanical or electronic limit switches. Programmable automatic/semiautomatic limit switches, timer and speed reducer.

## FIXING



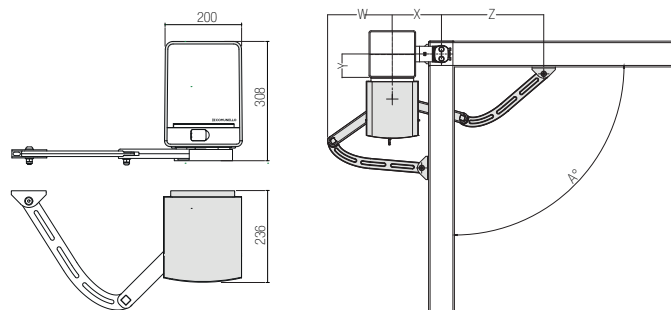
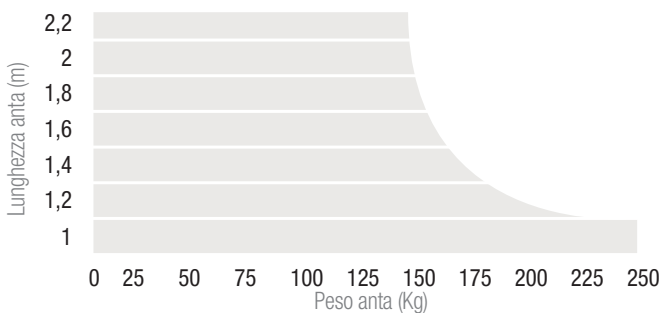
Die-cast alloy arm. Longer arm available for deeper columns.

## OBSTACLE DETECTION



Optional versions with Encoder for more accurate and safer deceleration.

## OPERATING LIMITS



## MAIN FITTINGS



**AC 30**  
OUTDOOR ANTENNA



**AC 101**  
REVERSIBLE LONG ARTICULATED ARM



**AC 108**  
SLIDE ARM



**AC 120 / AC 130**  
EXTERNAL CABLE RELEASE KIT



**AC 10**  
12 V HORIZONTAL ELECTRIC LOCK



**AC 110**  
KEY-OPERATED EMERGENCY RELEASE FOR OUTDOOR INSTALLATION



**DART**  
PHOTOCELLS



**SWIFT LED**  
BLINKING WARNING LIGHTS



**VICTOR 2 RC**  
2 CHANNEL, ROLLING CODE REMOTE CONTROL



**INDEX**  
KEY SELECTOR SWITCH



**TACT RADIO**  
DIGITAL SWITCH WITH RADIO CONTROLLED KEYPAD



**MAST 50**  
EXTRUDED ALUMINIUM COLUMN H 50 CM

PLEASE FIND A COMPLETE LIST OF ACCESSORIES ON [WWW.COMUNELLO.COM](http://WWW.COMUNELLO.COM)