

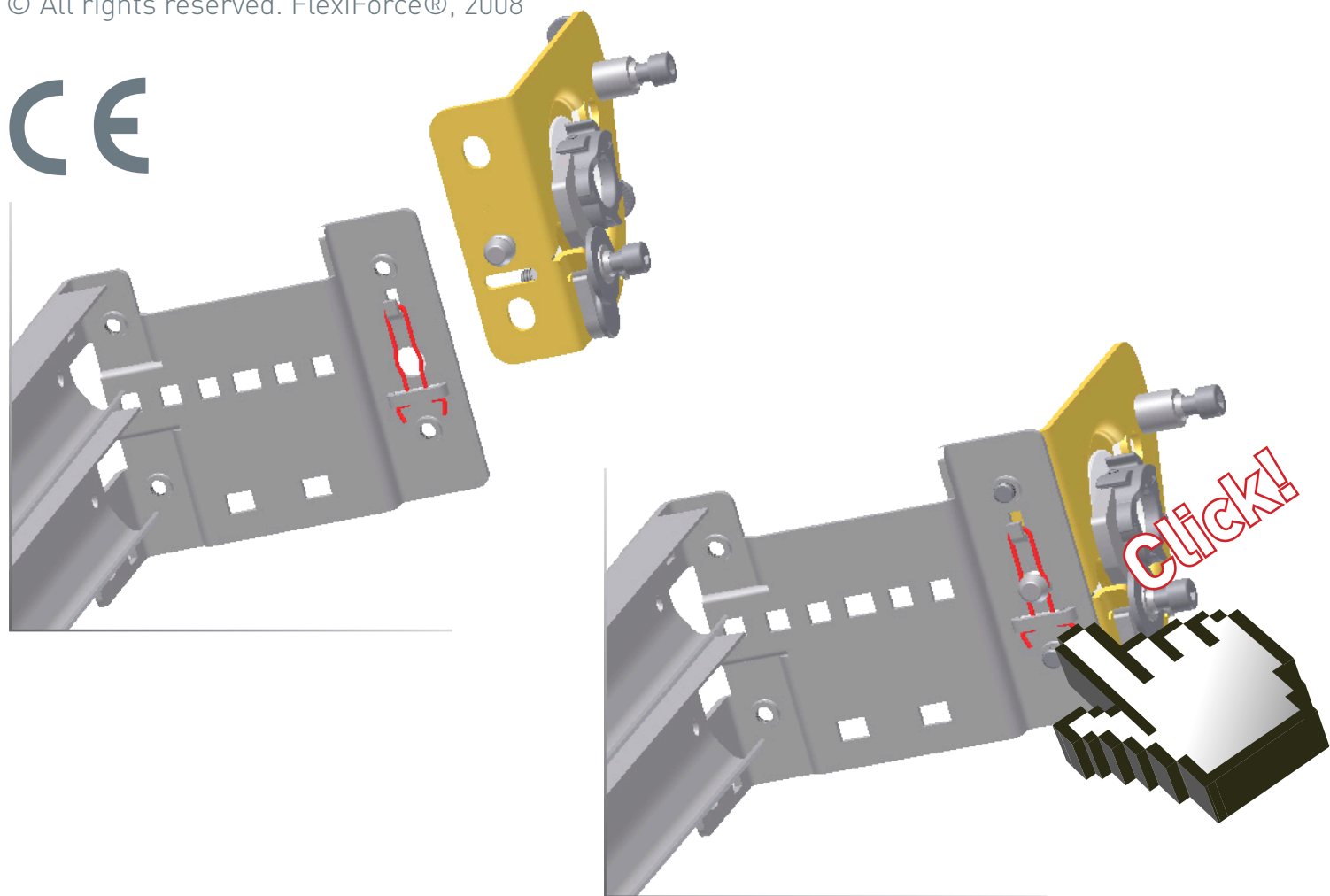
SuperClick

new installation system for
residential (garage)
overhead doors

INSTALLATION

© All rights reserved. FlexiForce®, 2008

CE



ATTENTION! GENERAL WARNINGS!



Torsion springs are under extreme high tension.
At all times, work safely and with proper precautions.
Installation, maintenance and repairs can only be done by qualified and experienced overhead door mechanics.

- ✓ This manual has been written for use by experienced fitters and as such is not suitable for d.i.y. purposes or for use by trainee fitters.
- ✓ This manual describes the installation of certain hardware set components. Be sure to supplement this manual if needed with instructions for any additional components not described in this manual.
- ✓ Before starting, read this manual carefully!
- ✓ Certain components may be sharp or have jagged edges. As such you are advised to wear safety gloves.
- ✓ During tensioning, springs can exert large forces. Work carefully. Use the proper equipment. Ensure that you are standing in a steady position.
- ✓ Ensure that there is sufficient light during installation. Remove obstacles and dirt. Make sure that there is no one else present other than the fitters. Other people (children!) may get in the way or endanger themselves during the installation.

TERMS AND CONDITIONS

The general terms and conditions of delivery and payment issued by the Metaalunie and designated as METAALUNIE CONDITIONS are fully applicable to all our quotations, contracts and their implementation. We expressly reject all other terms and conditions. On request we will send you a copy of these terms and conditions free of charge. A copy may also be downloaded from our website www.flexiforce.nl.

CONTACT

FlexiForce Group B.V.,
P.O. Box 37, 3770 AA Barneveld
The Netherlands

T +31-(0)342-427777,
E info@flexiforce.com
I www.flexiforce.com

Springs in front

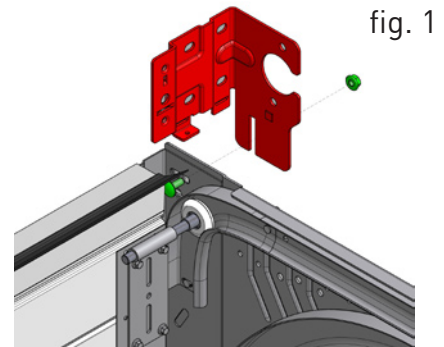
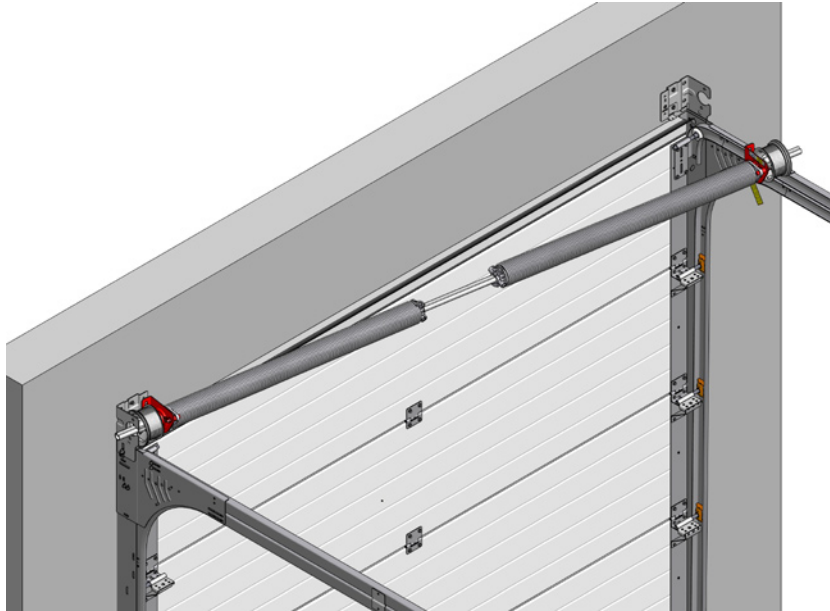


fig. 1

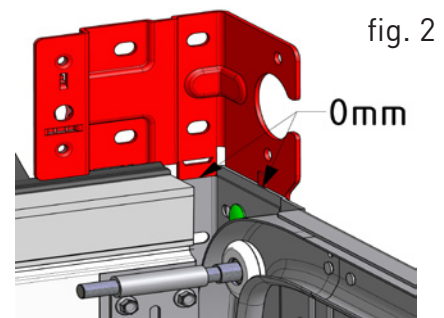


fig. 2

0mm

fig. 3

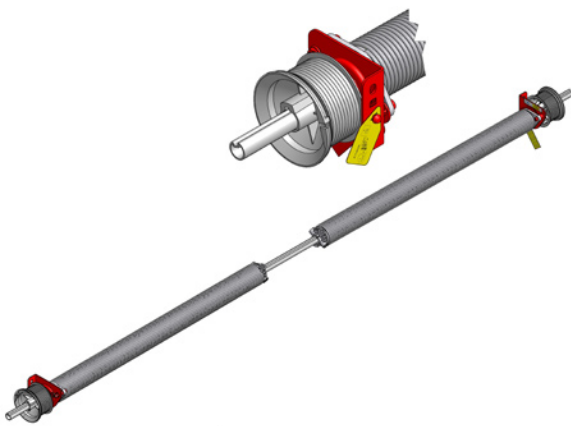


fig. 4

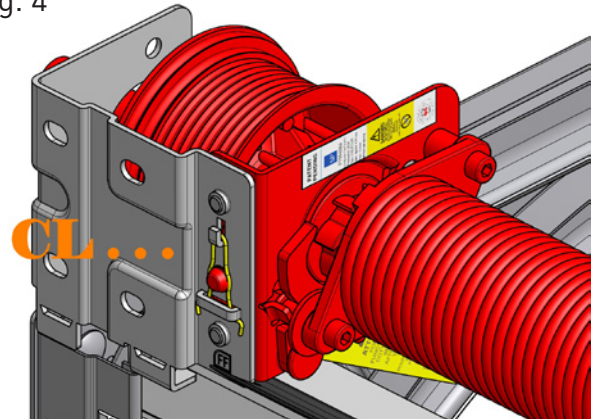


fig. 5

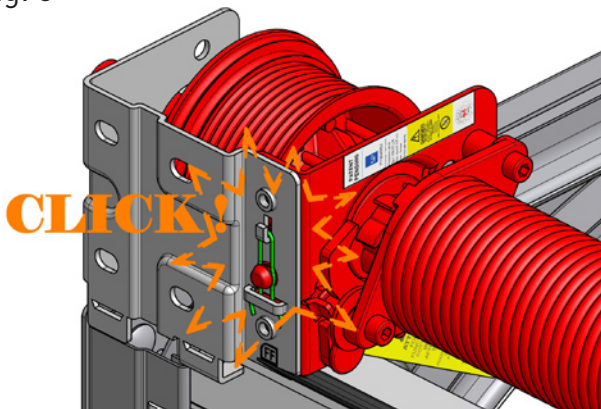
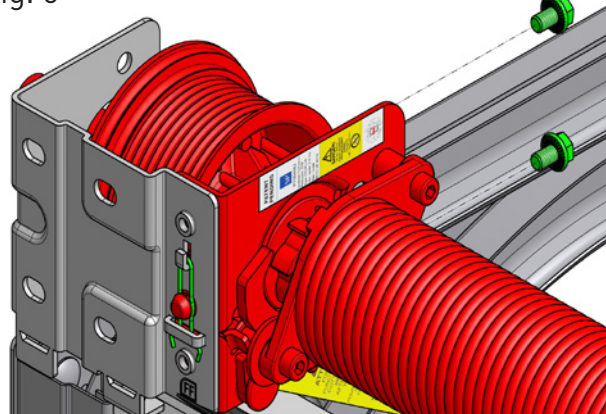


fig. 6



Springs in rear

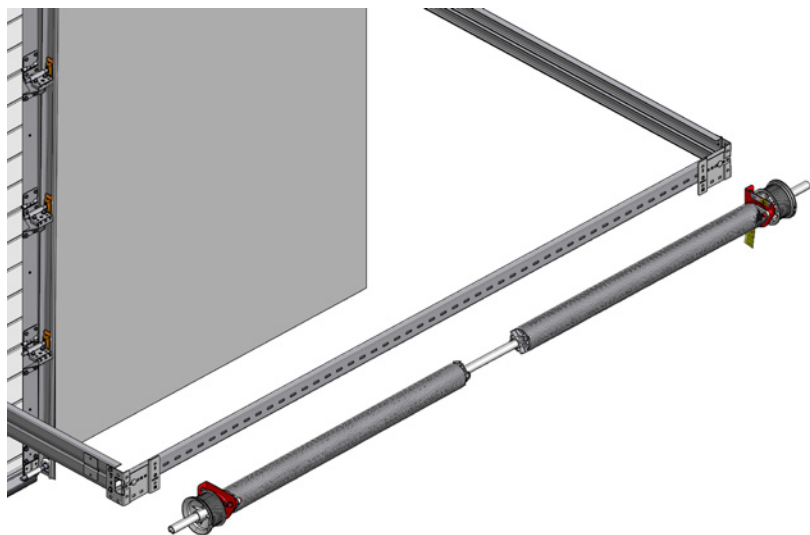


fig. 1

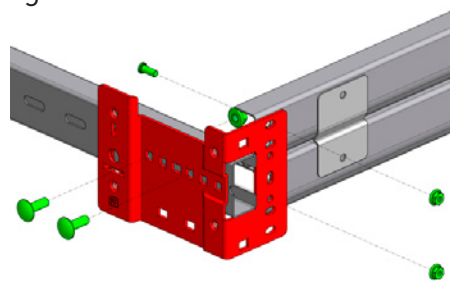


fig. 2

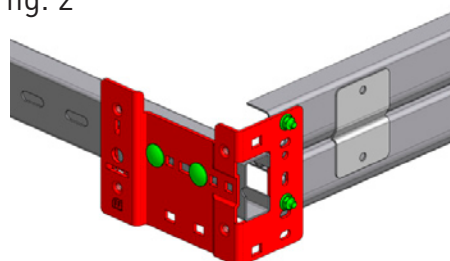


fig. 3

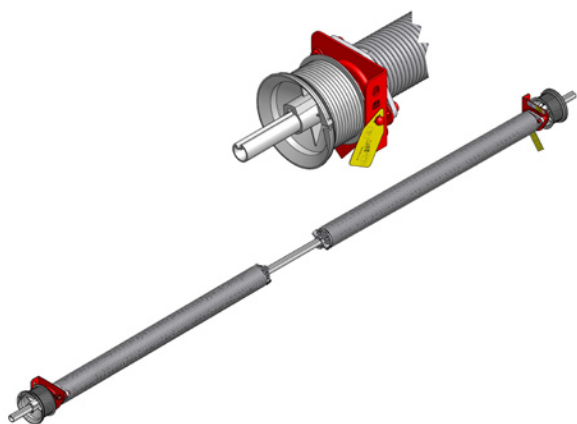


fig. 4

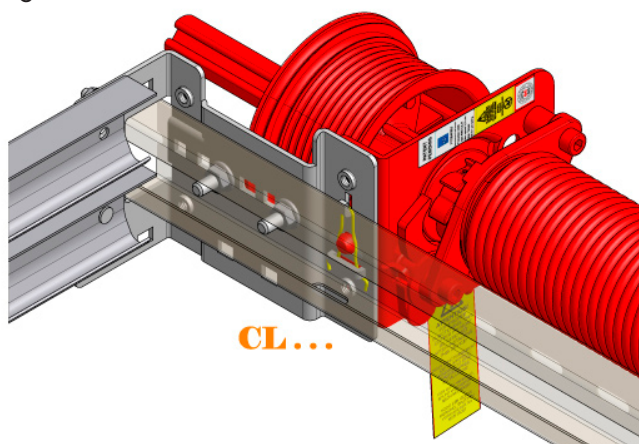


fig. 5

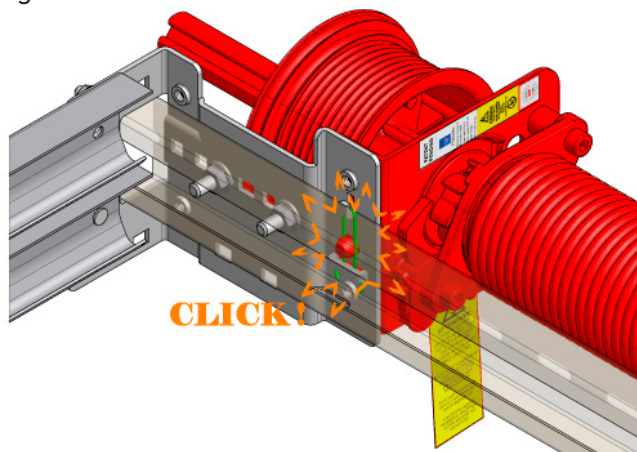


fig. 6

