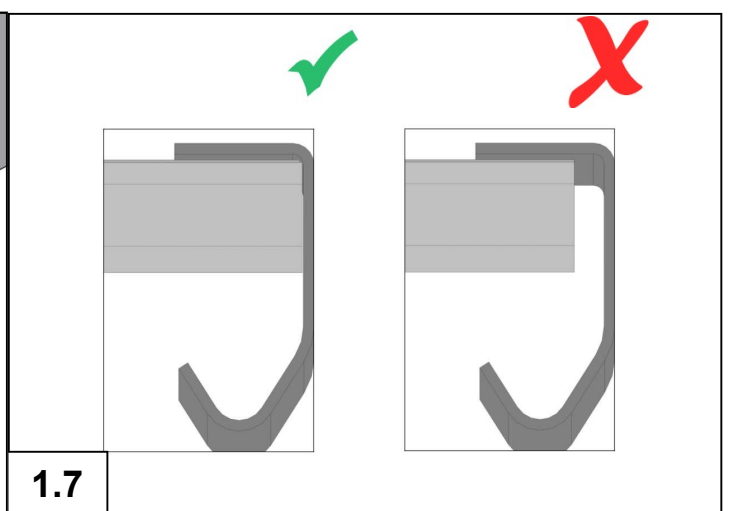
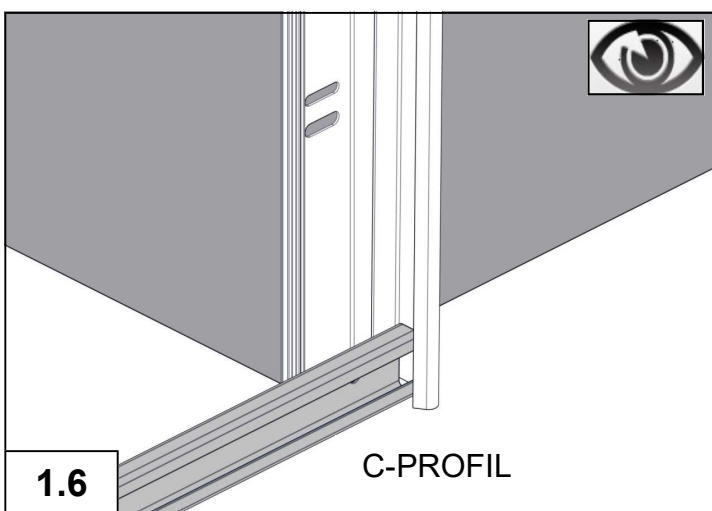
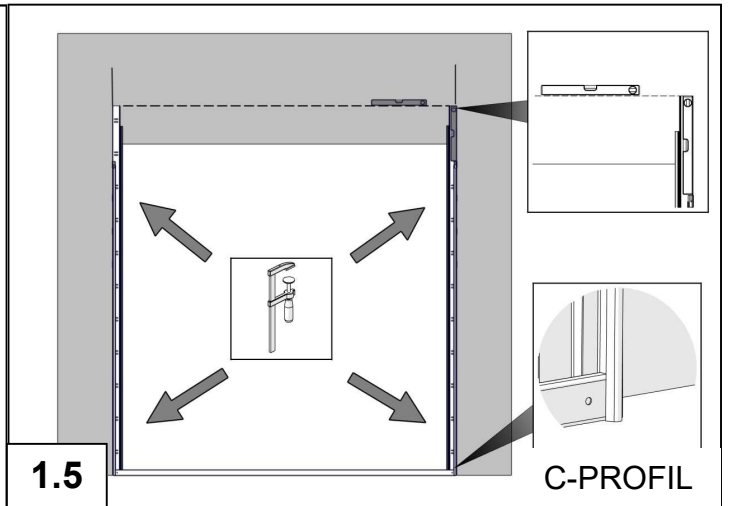
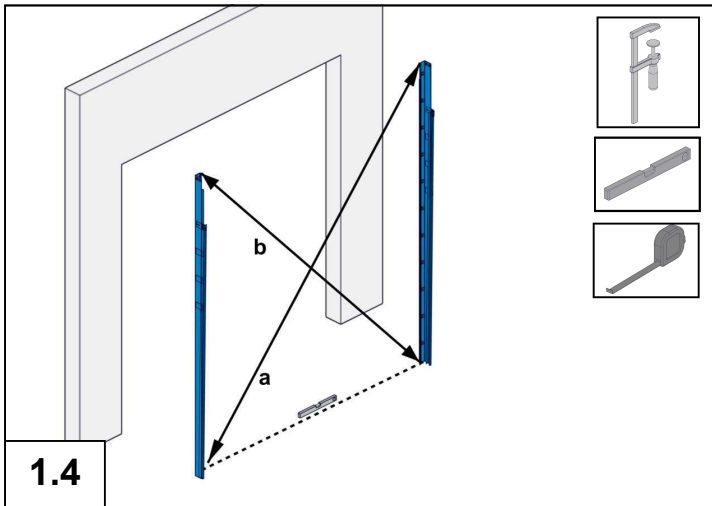
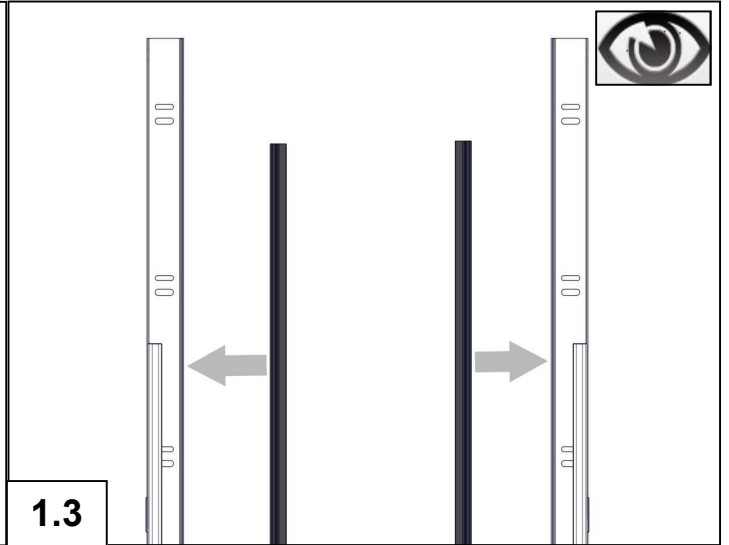
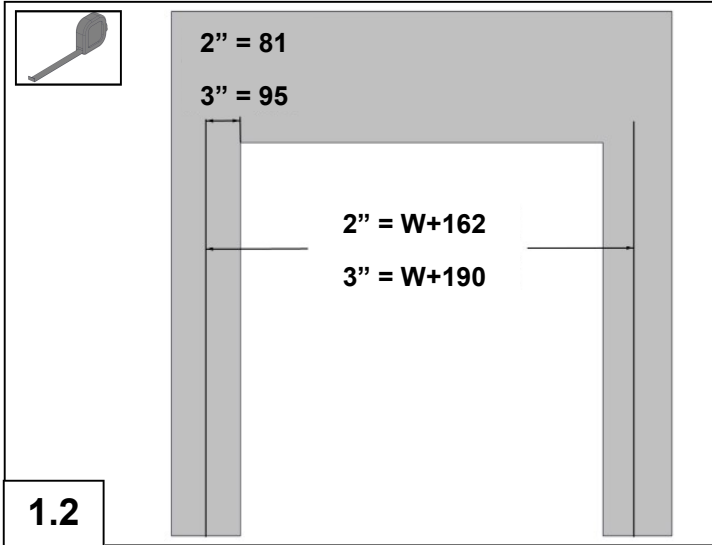
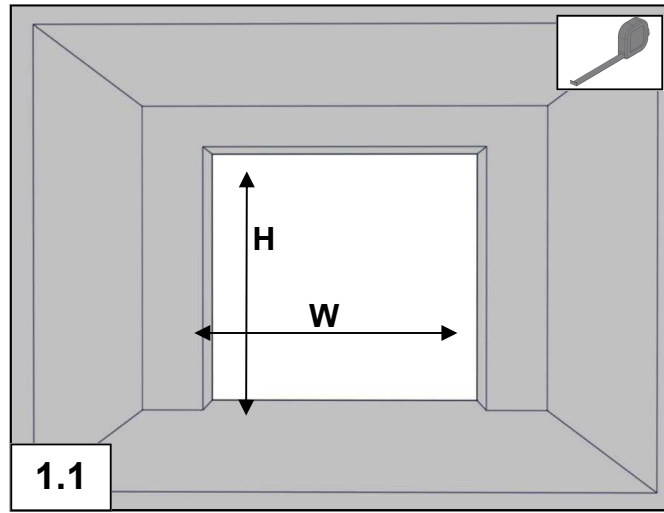
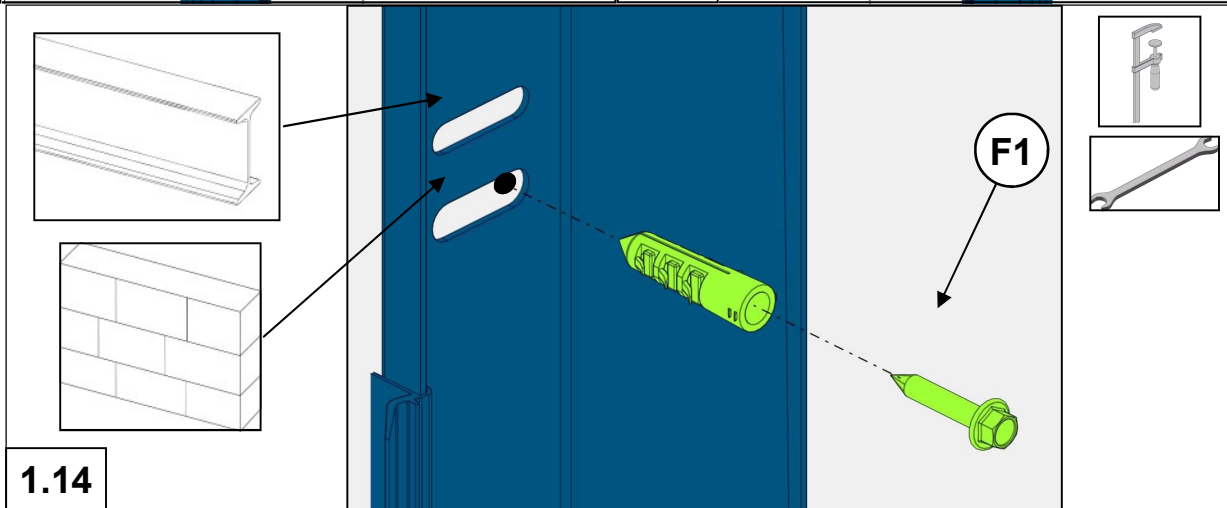
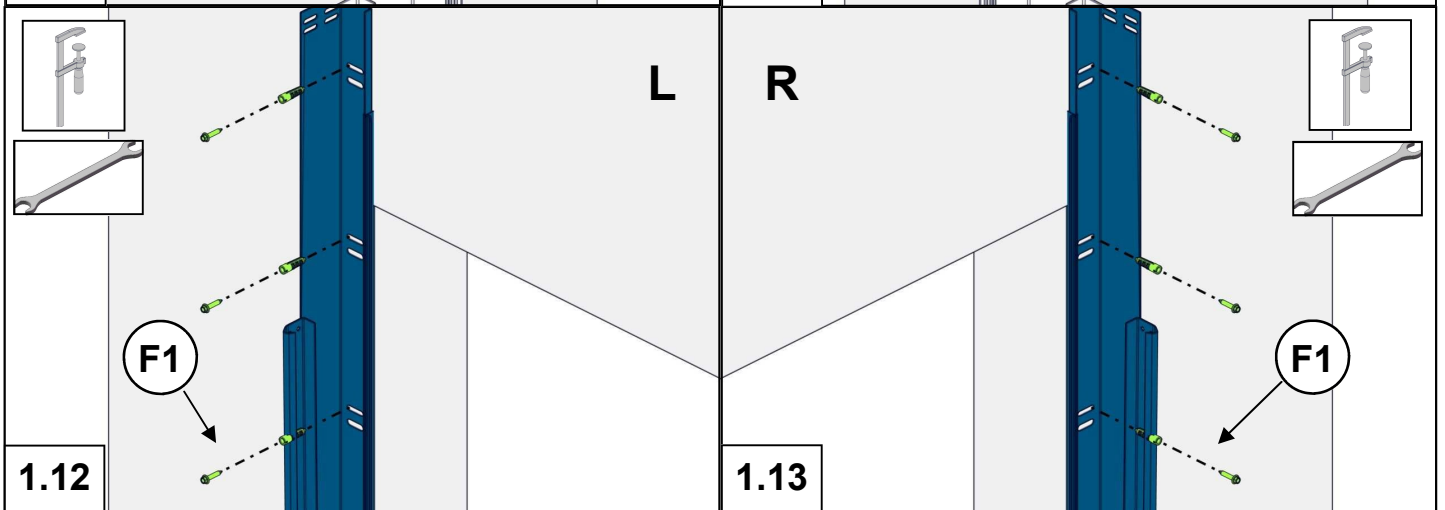
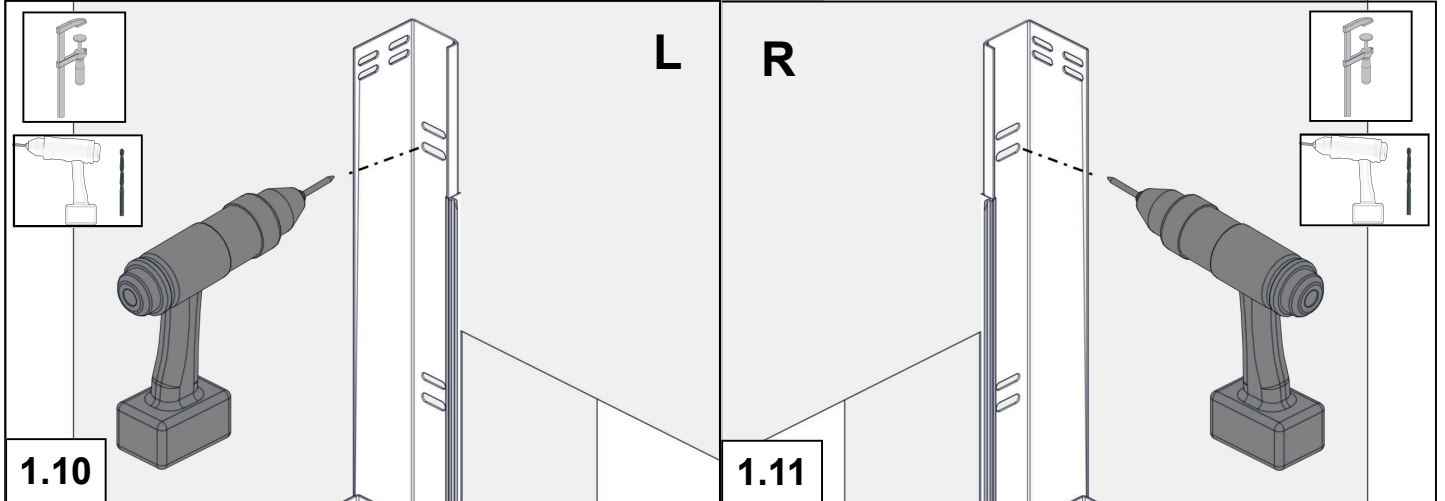
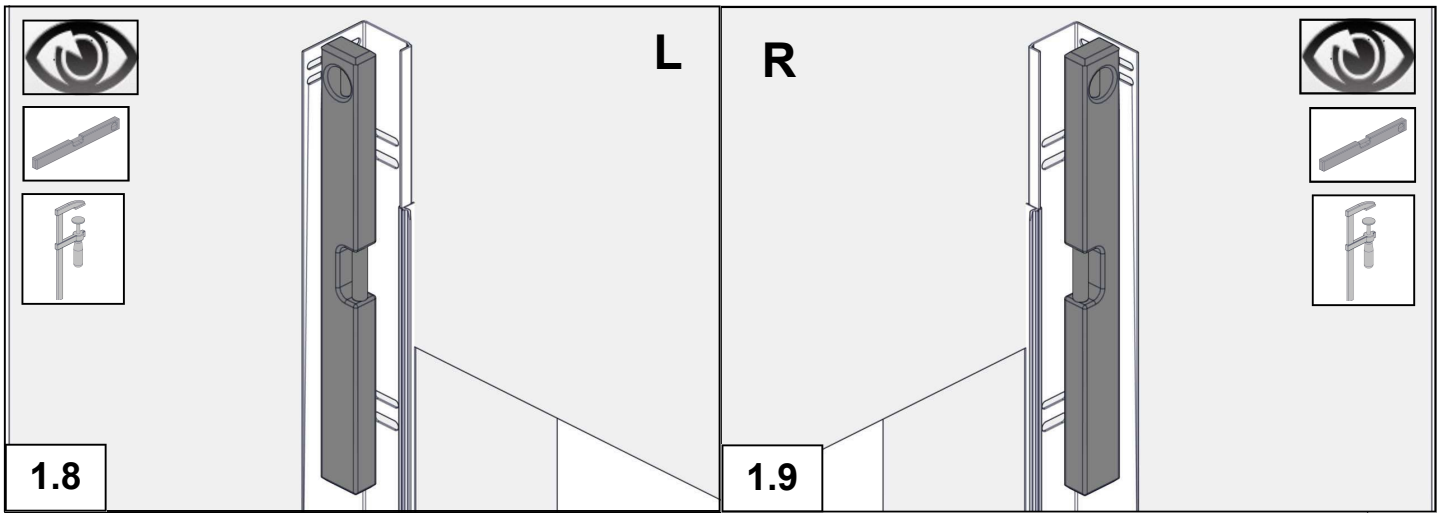
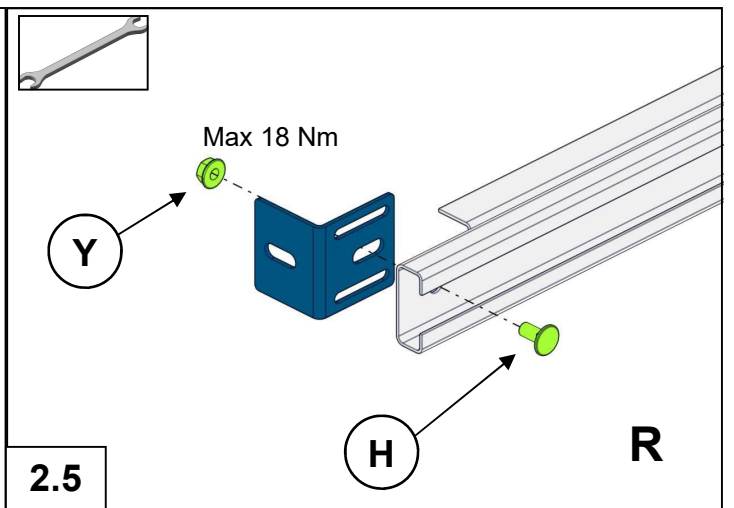
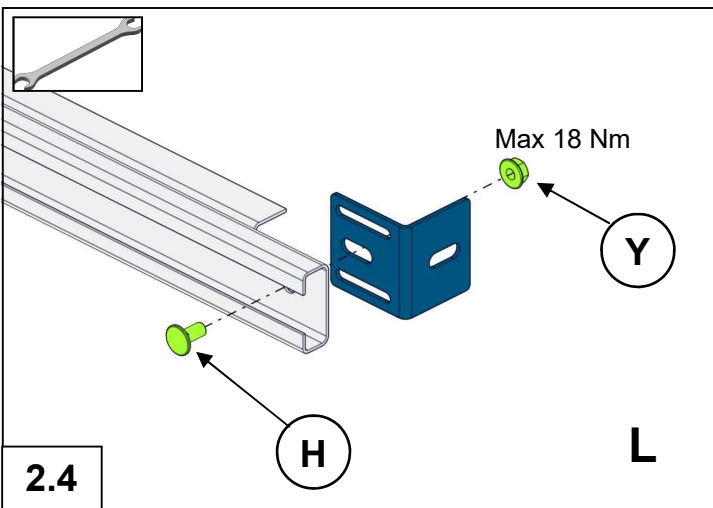
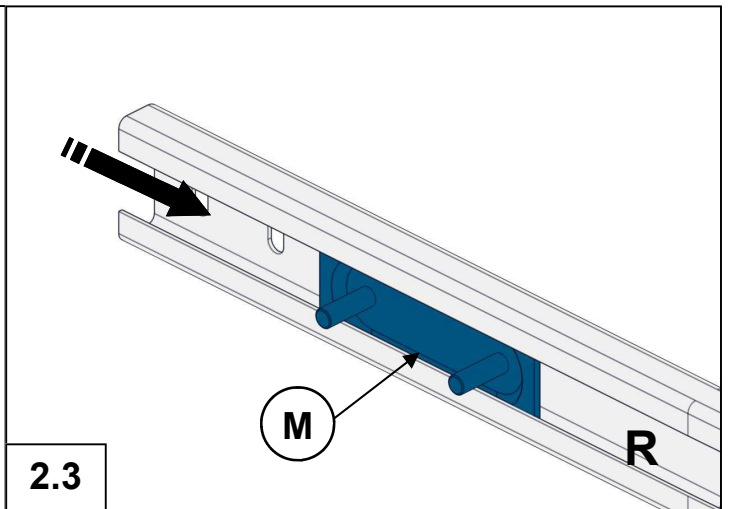
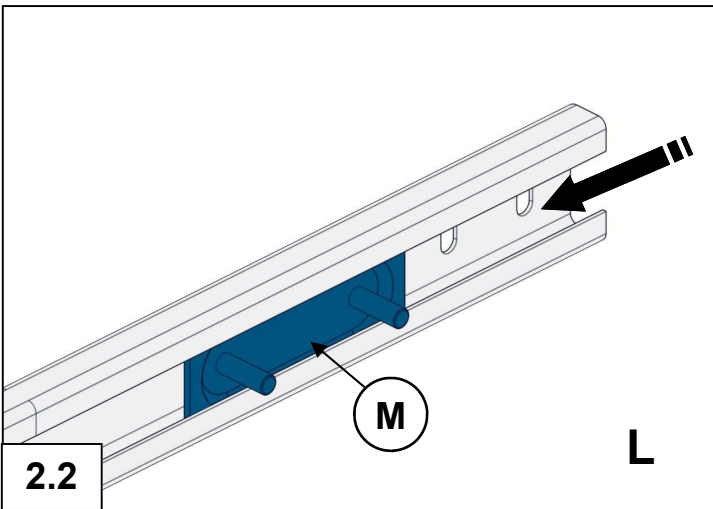
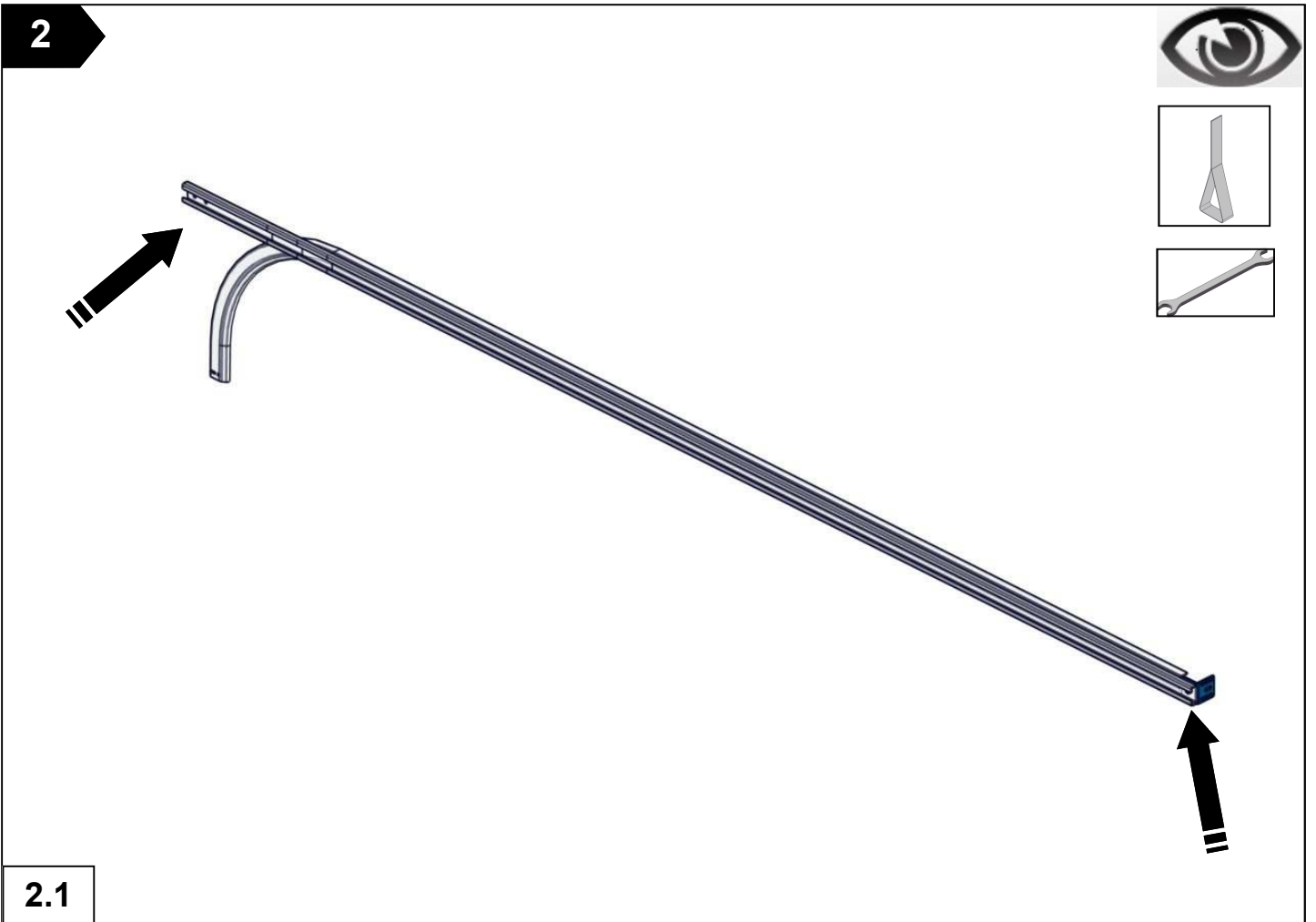
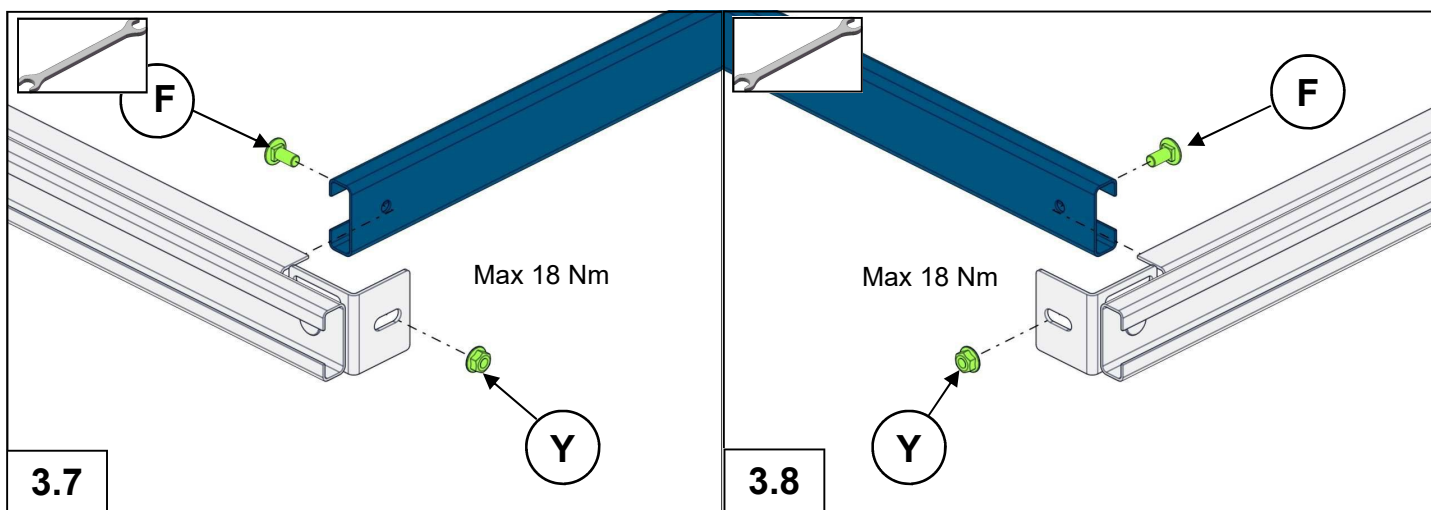
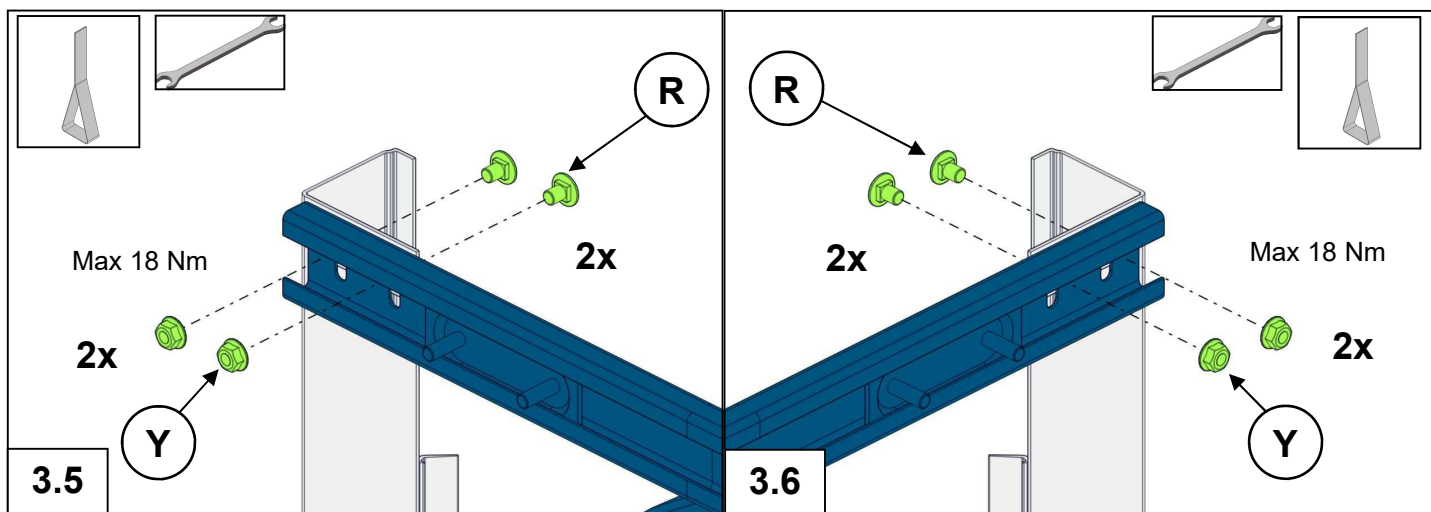
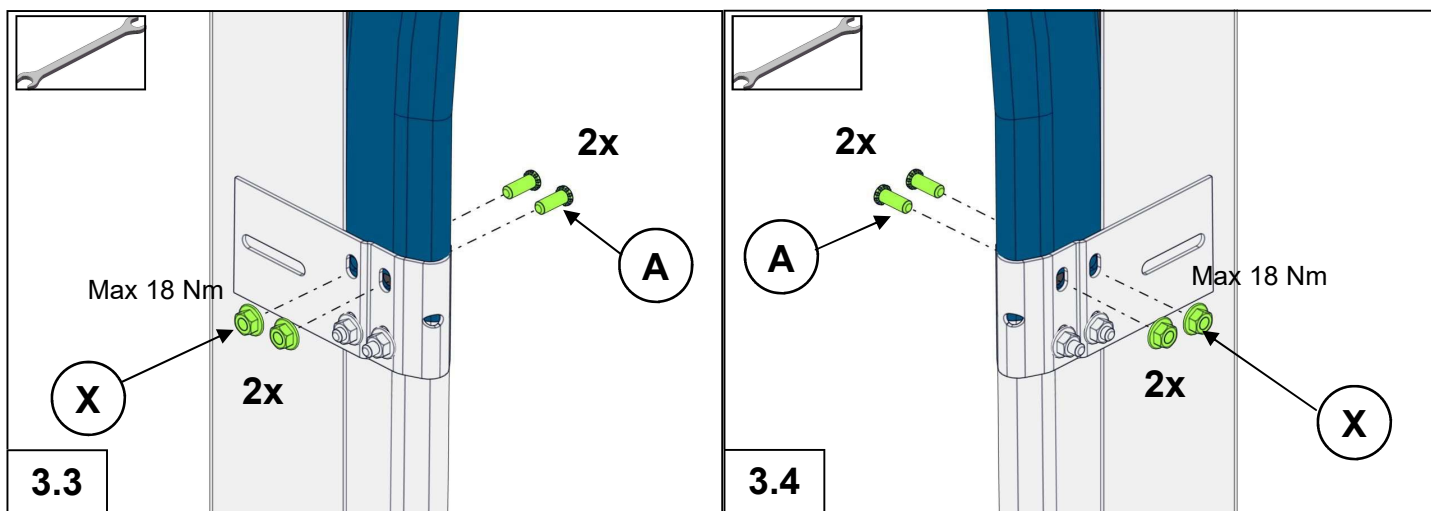
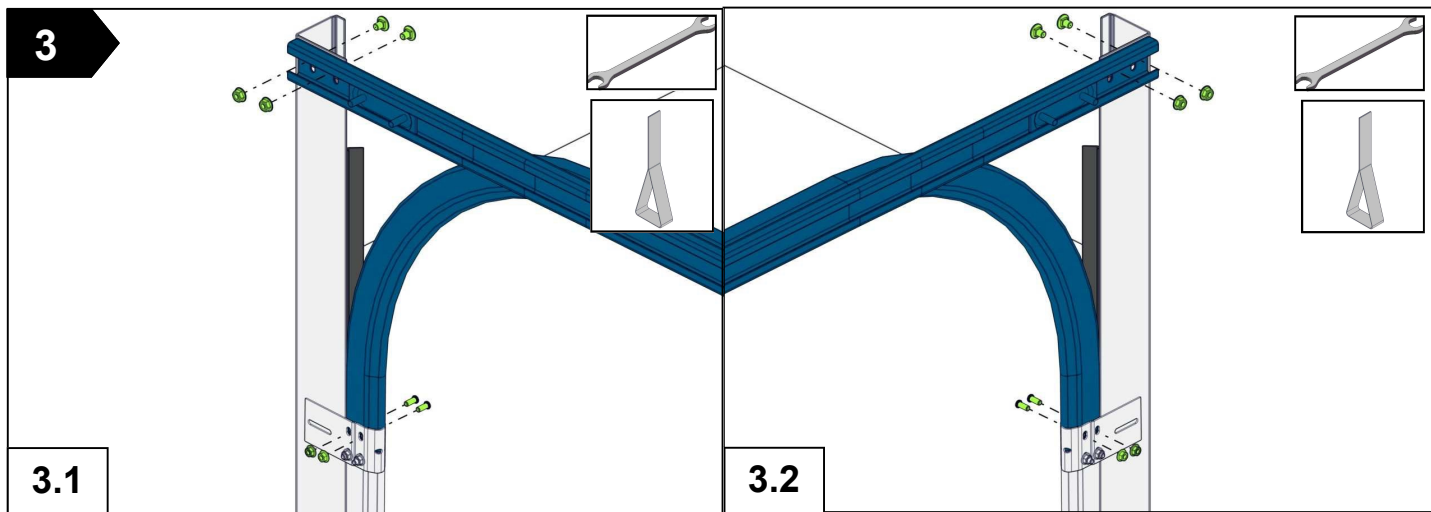


**1**

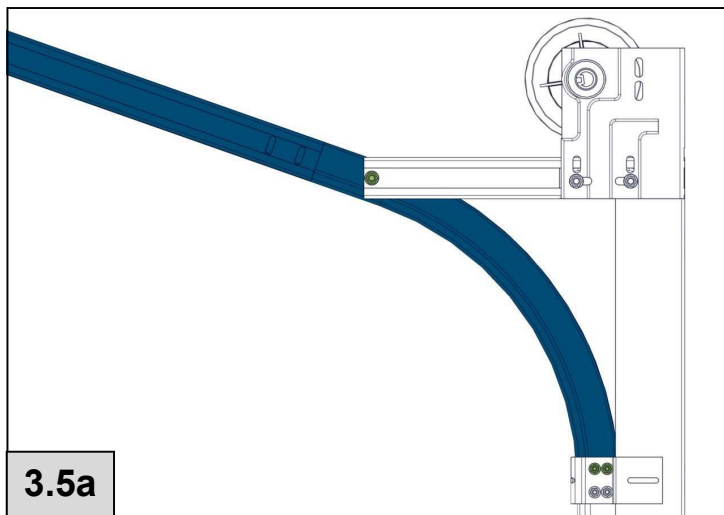
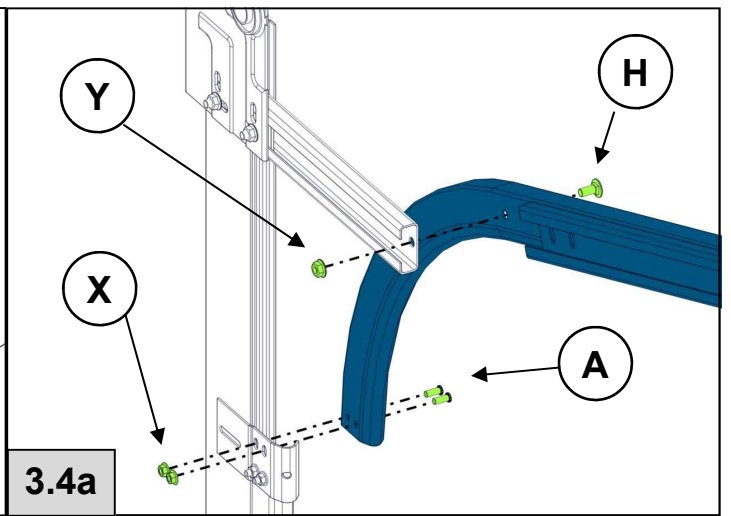
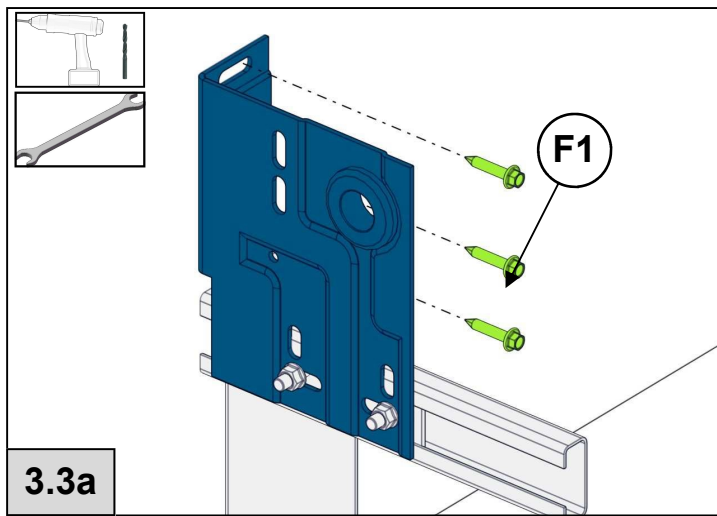
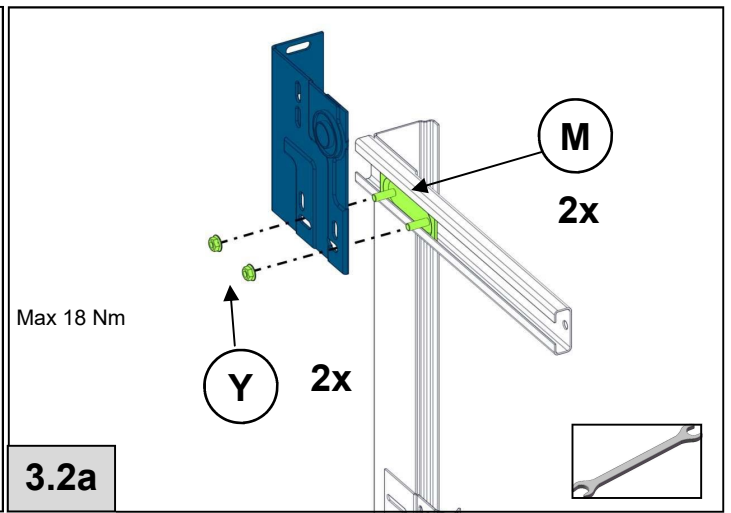
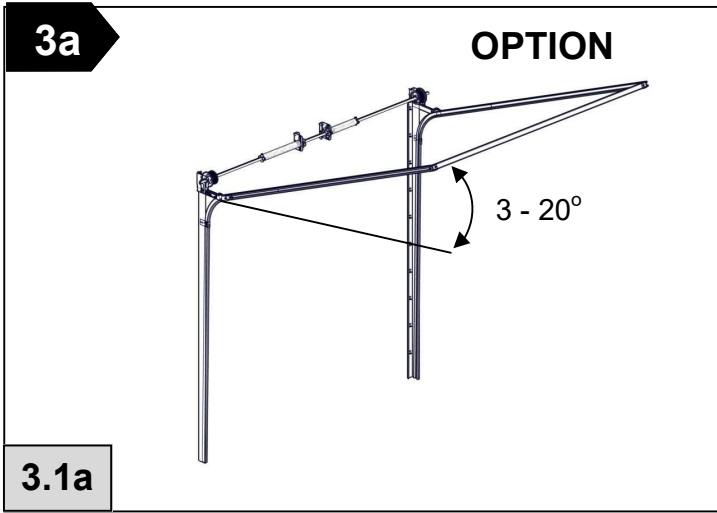




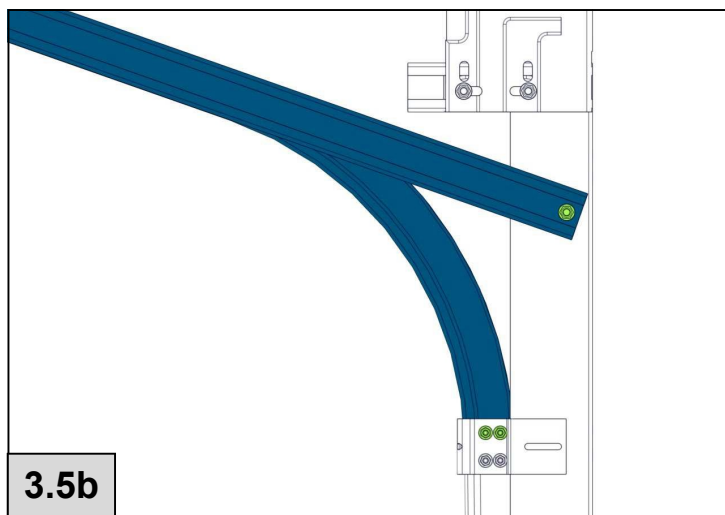
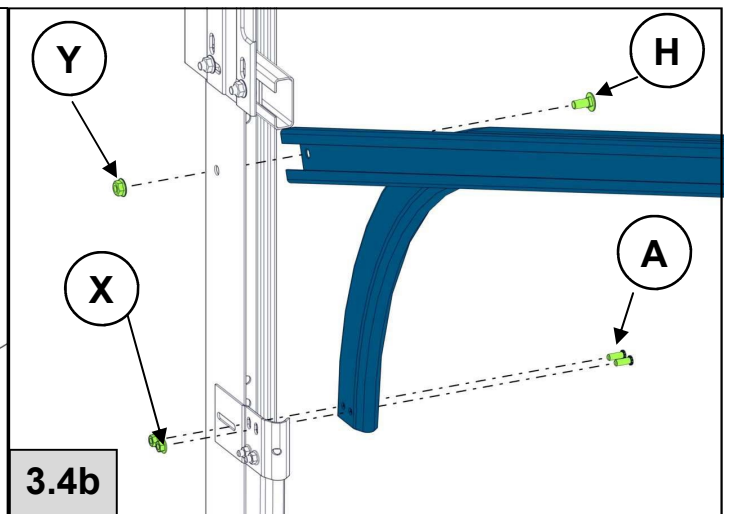
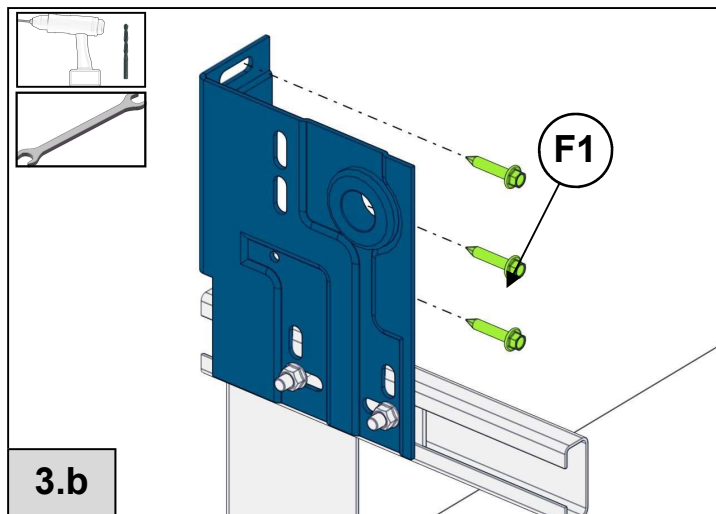
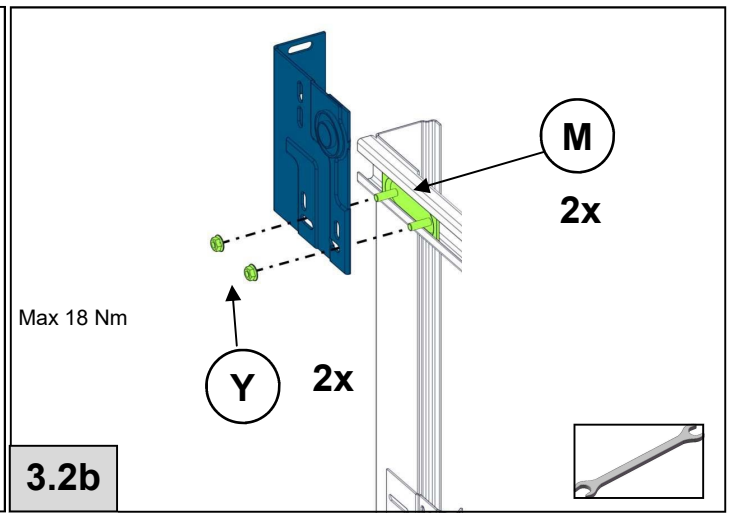
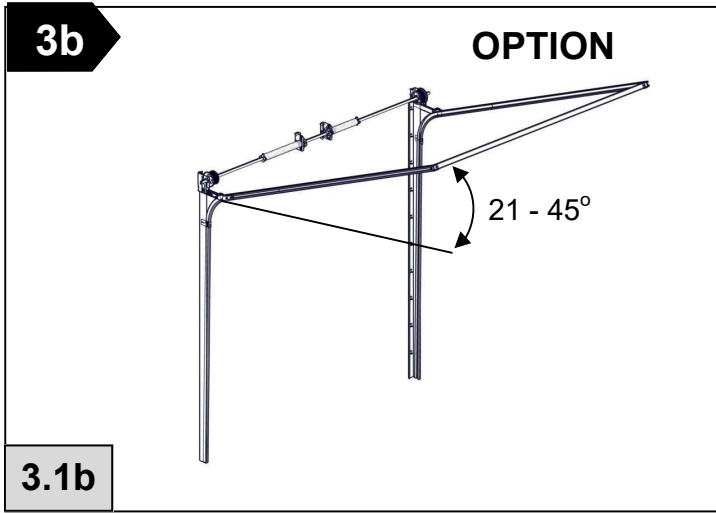




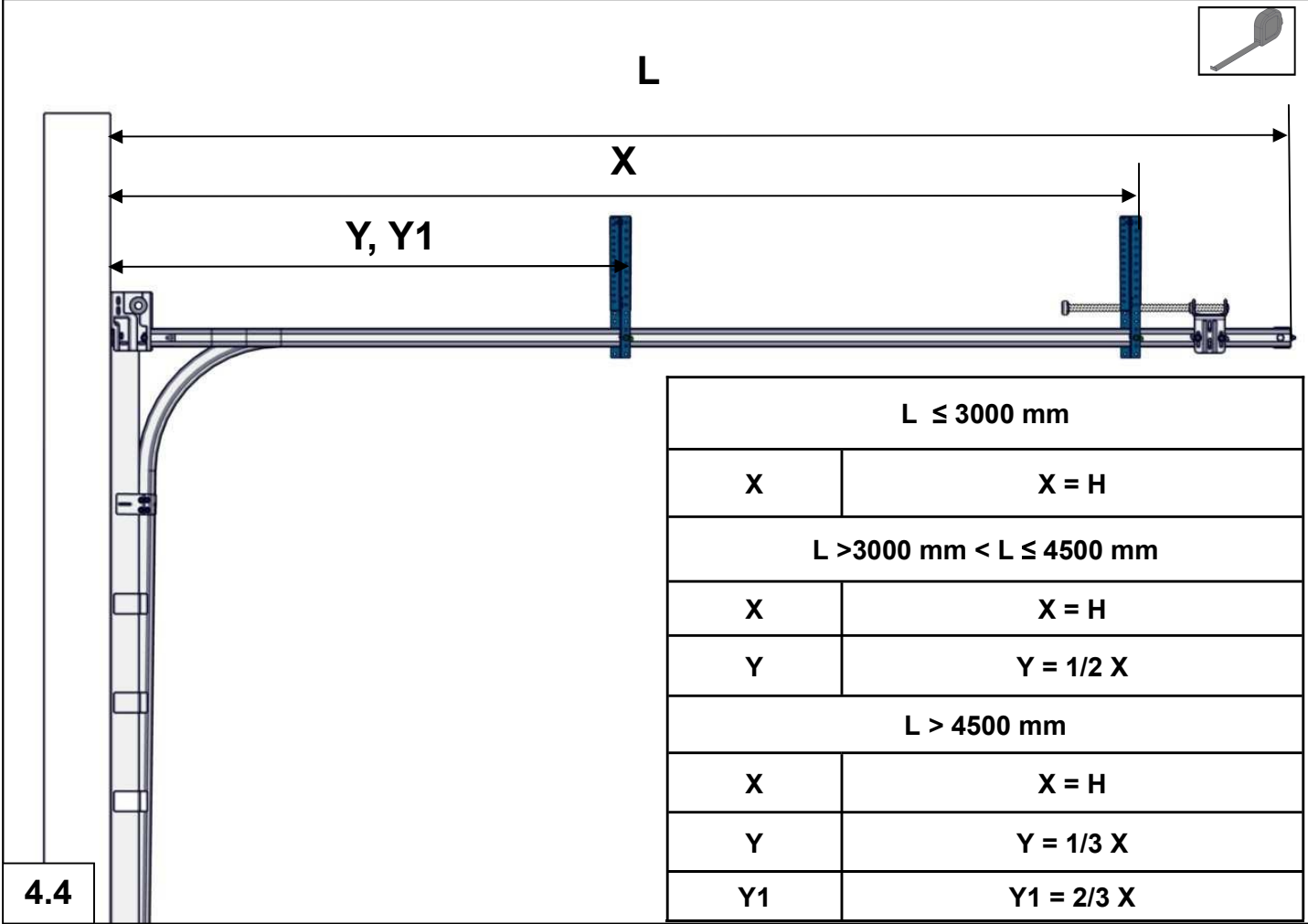
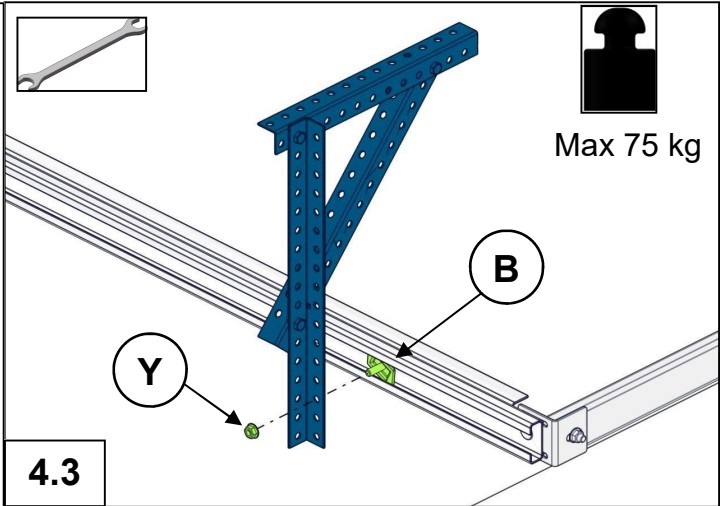
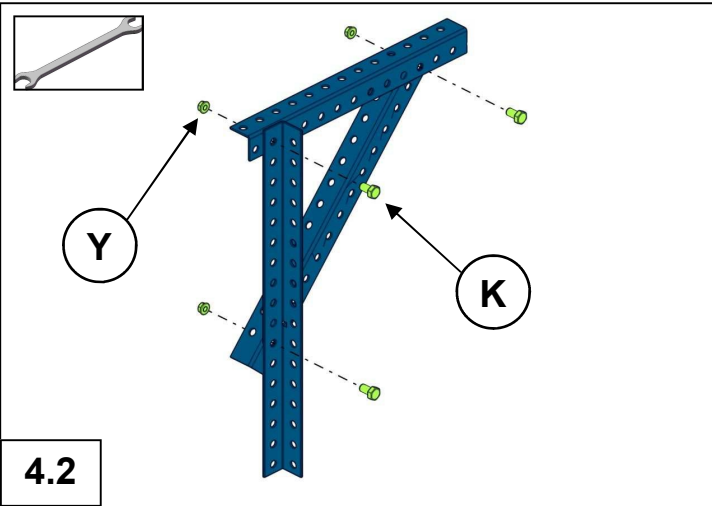
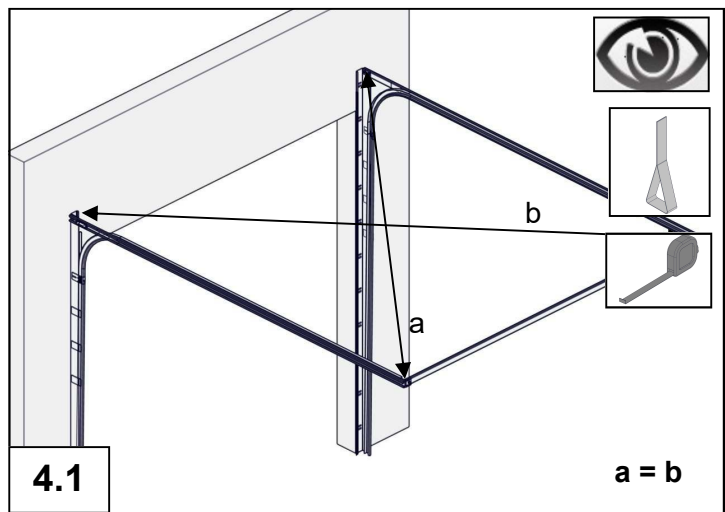
**OPTION/OPTIONAL/ALTERNATIVA**

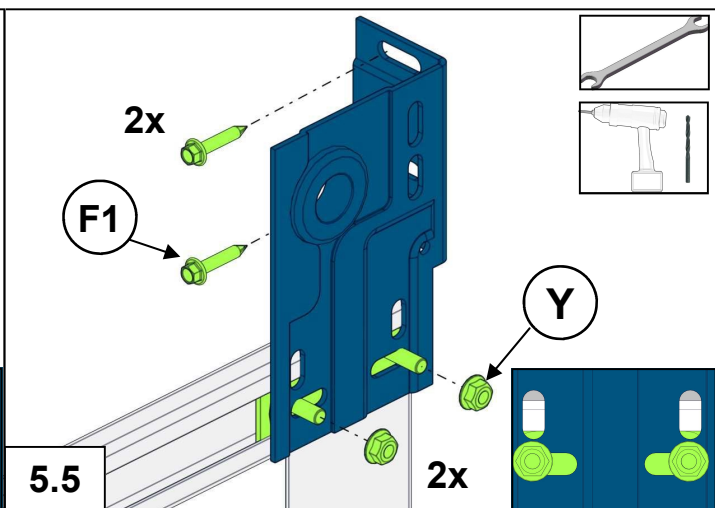
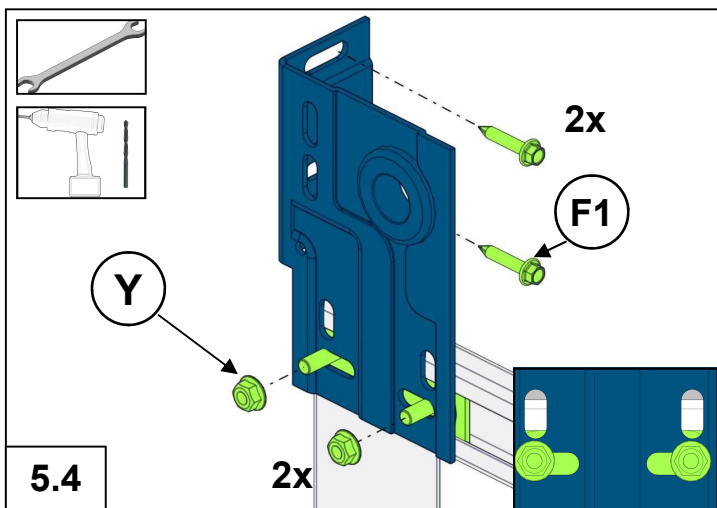
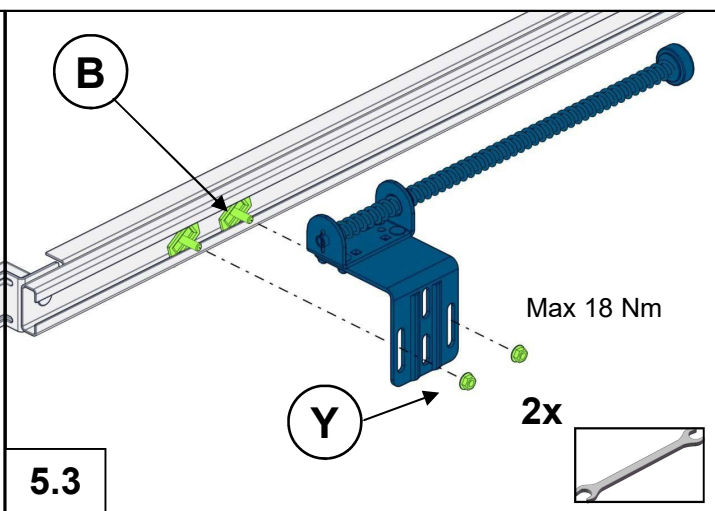
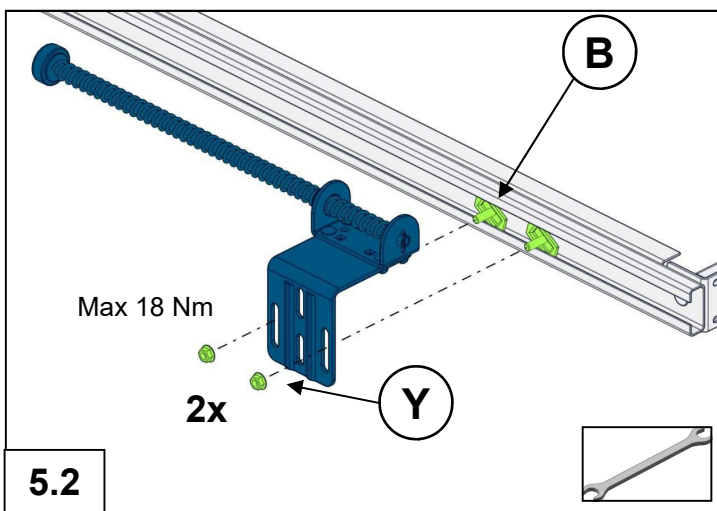
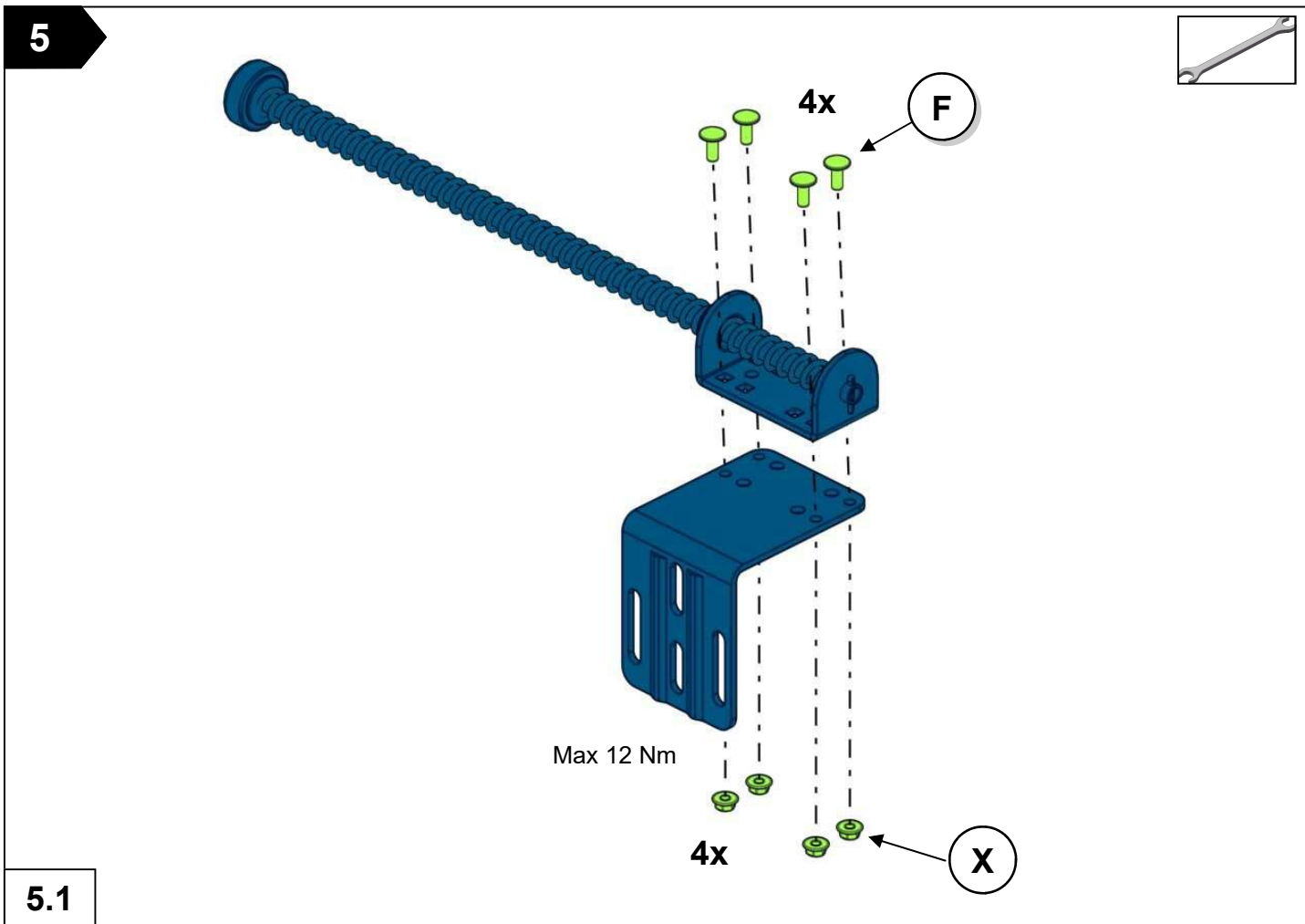


**OPTION/OPTIONAL/ALTERNATIVA**

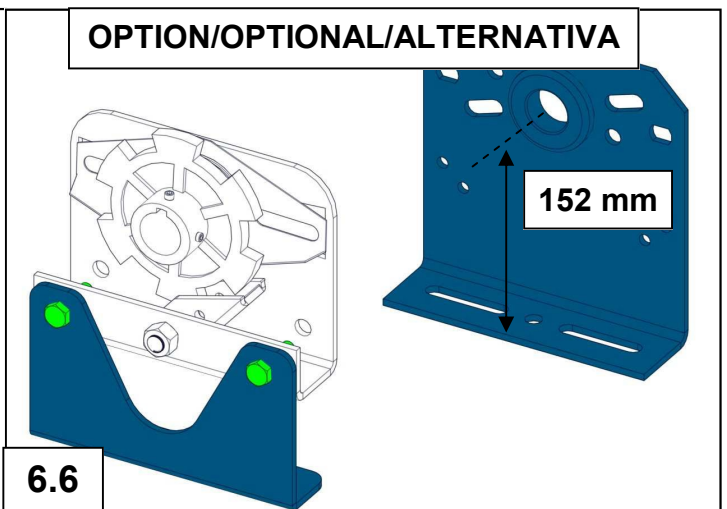
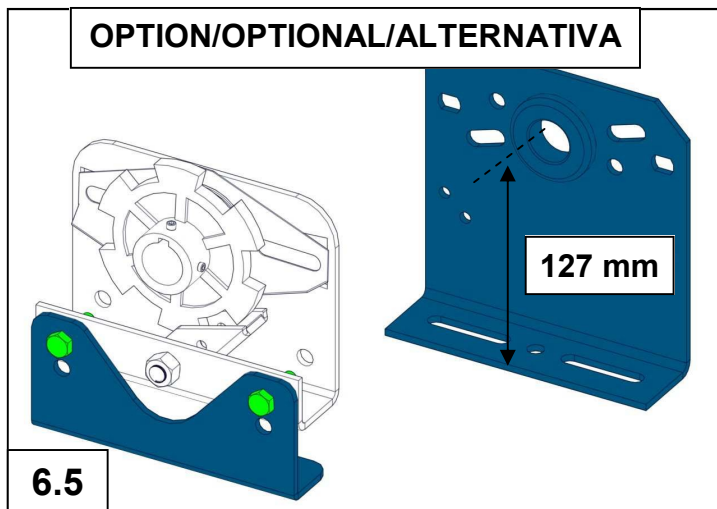
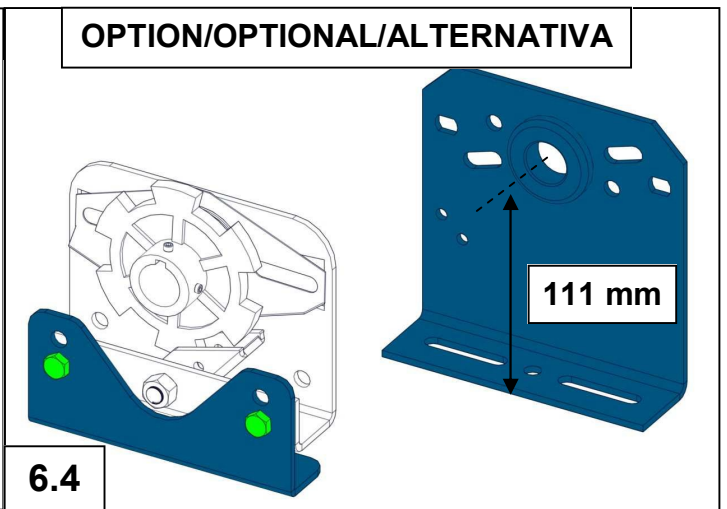
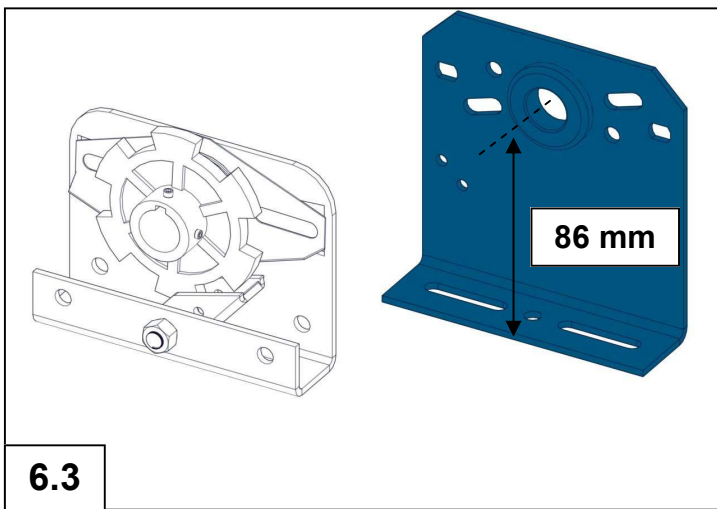
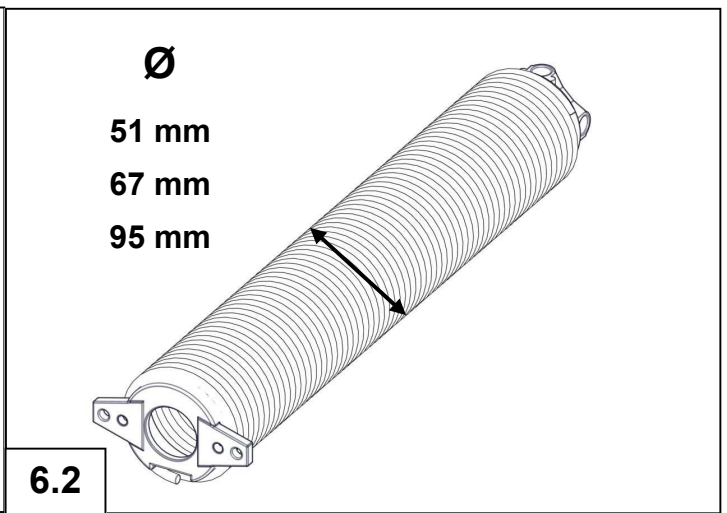
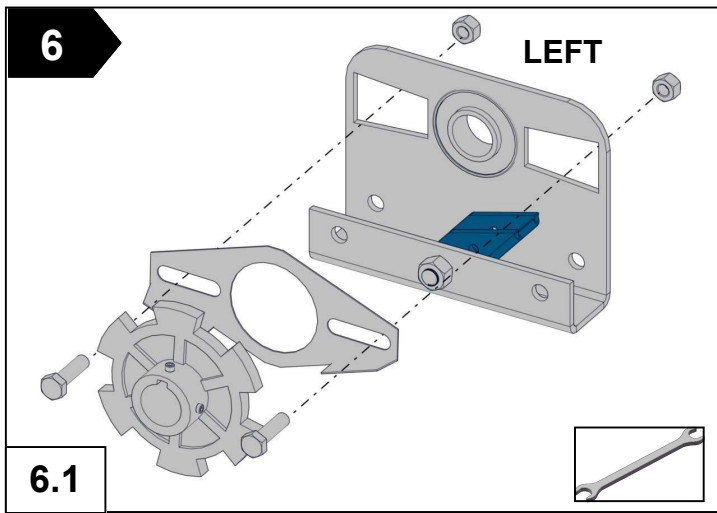


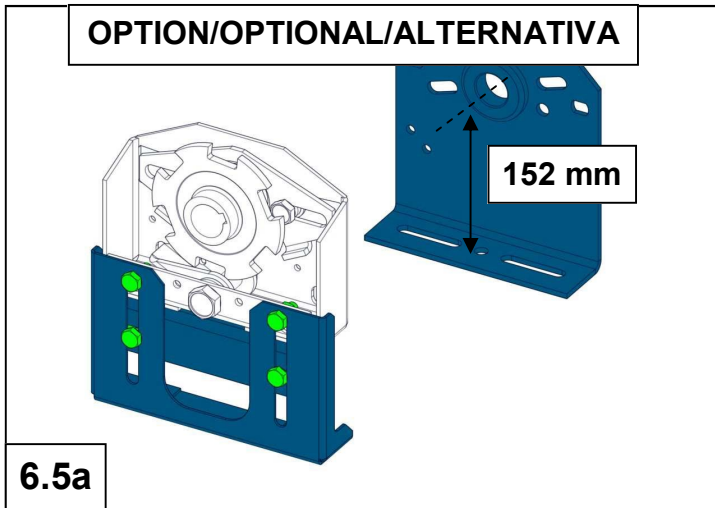
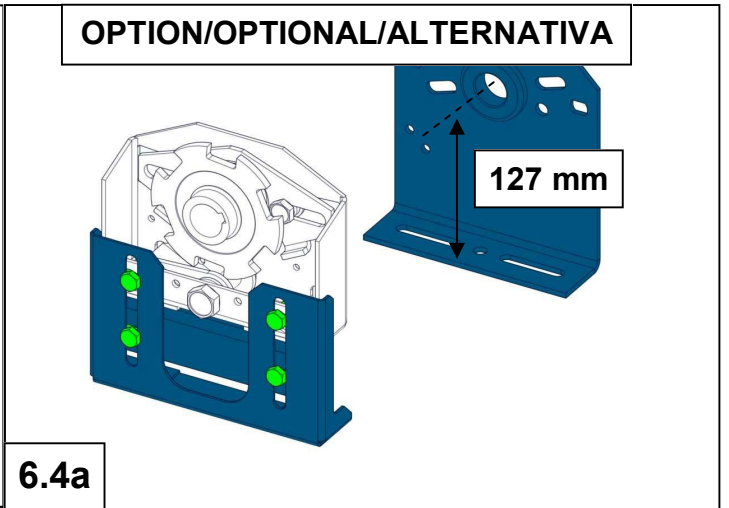
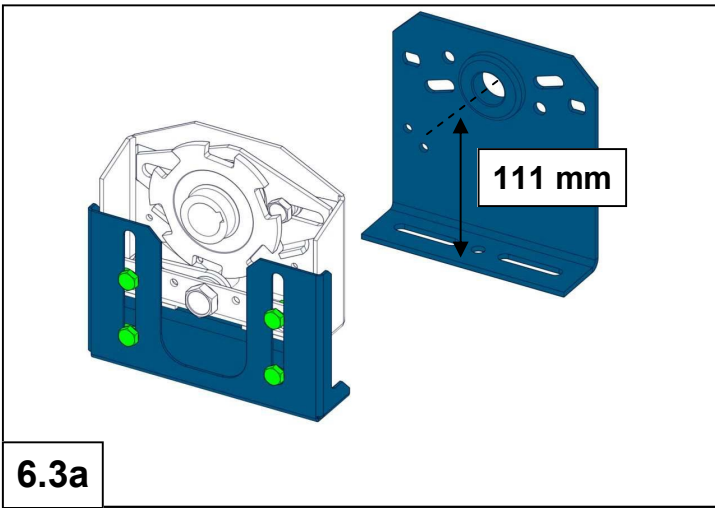
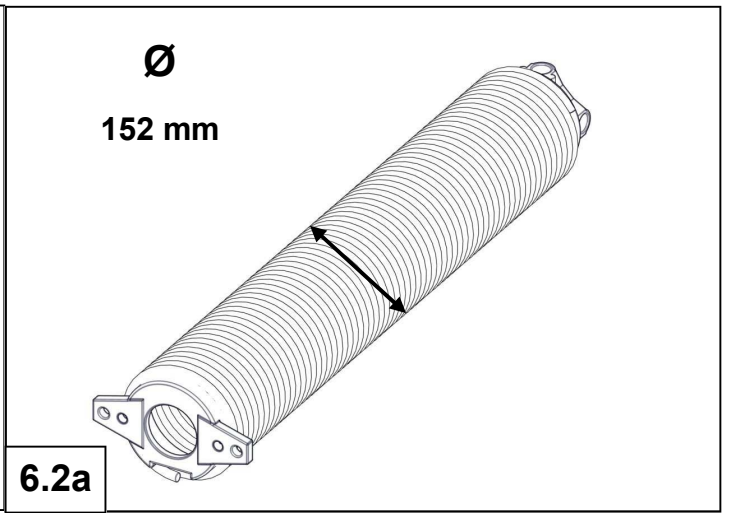
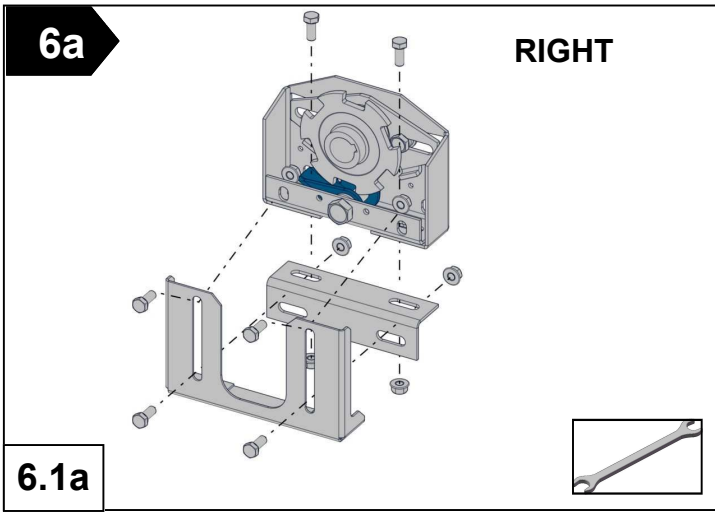
**4**

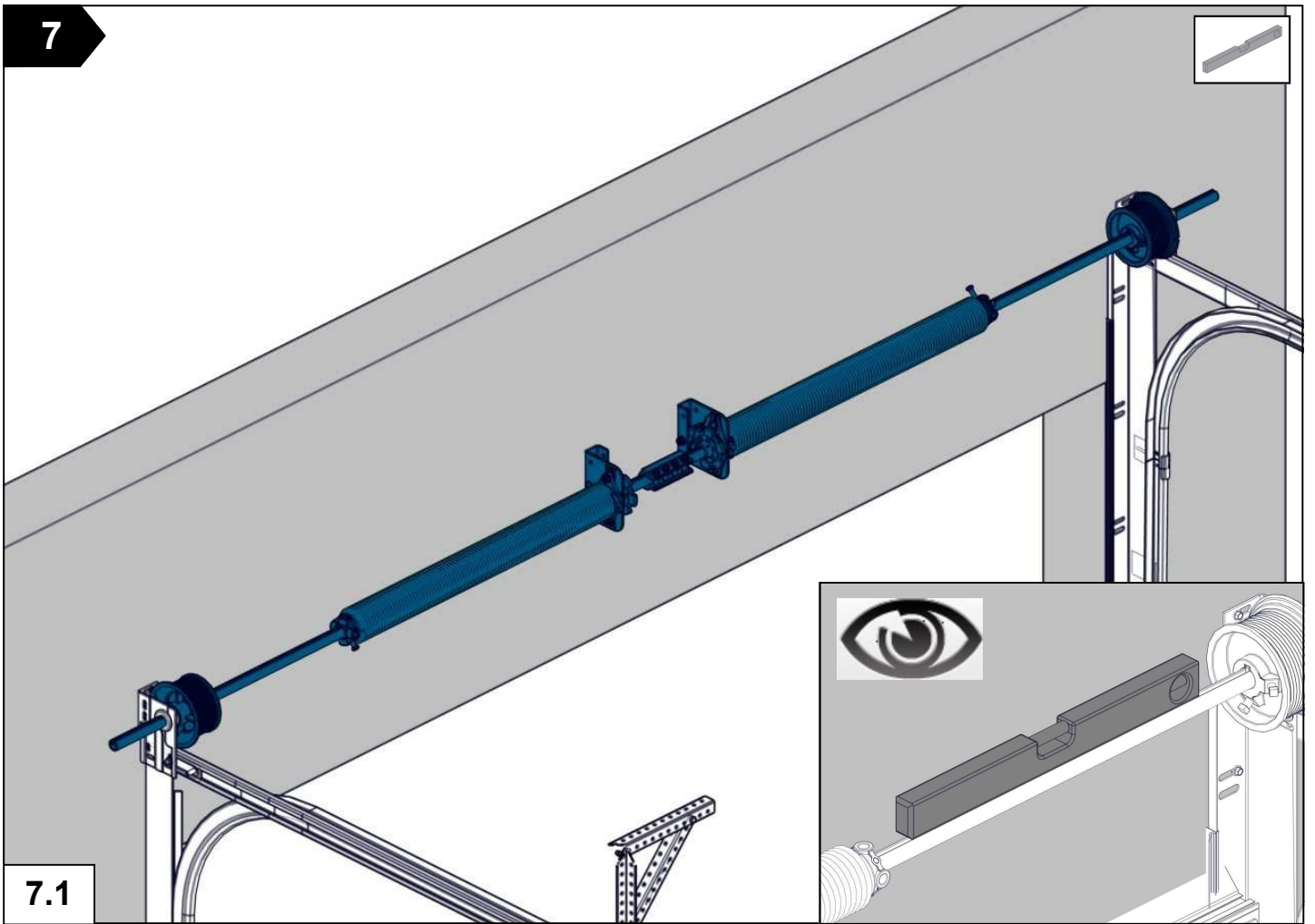


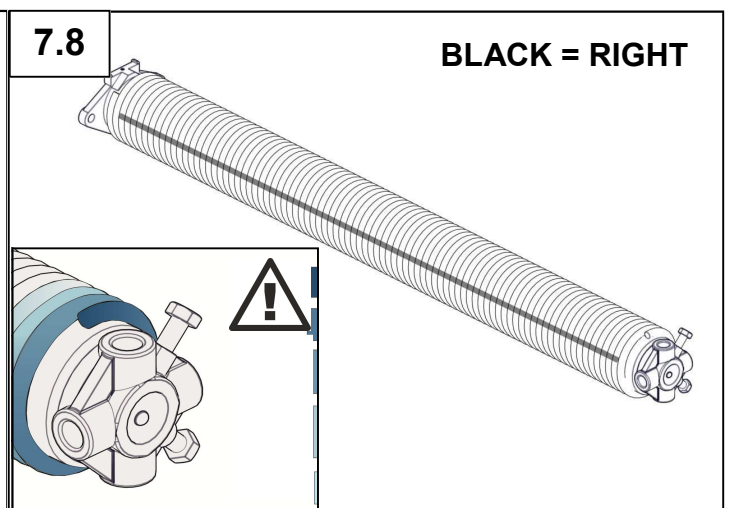
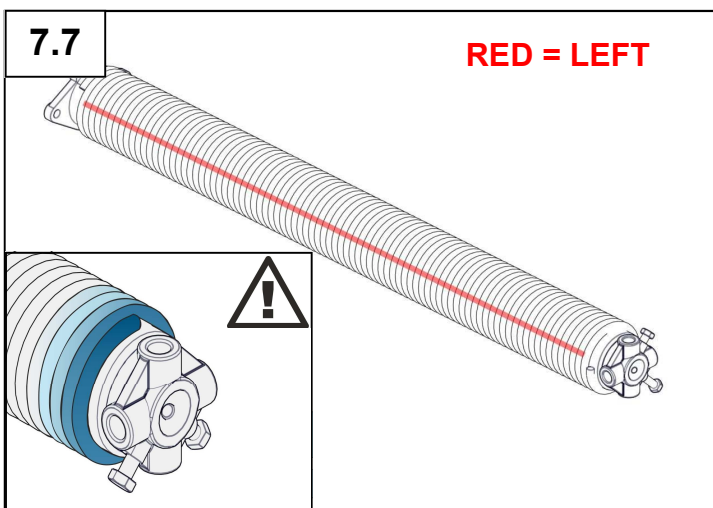
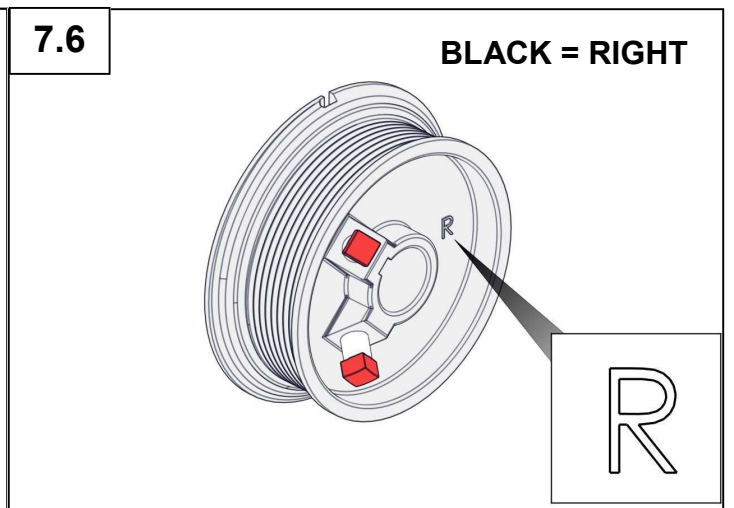
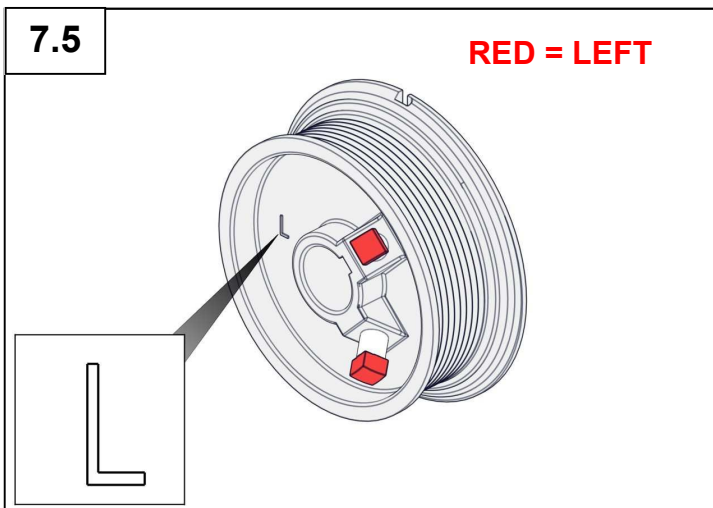
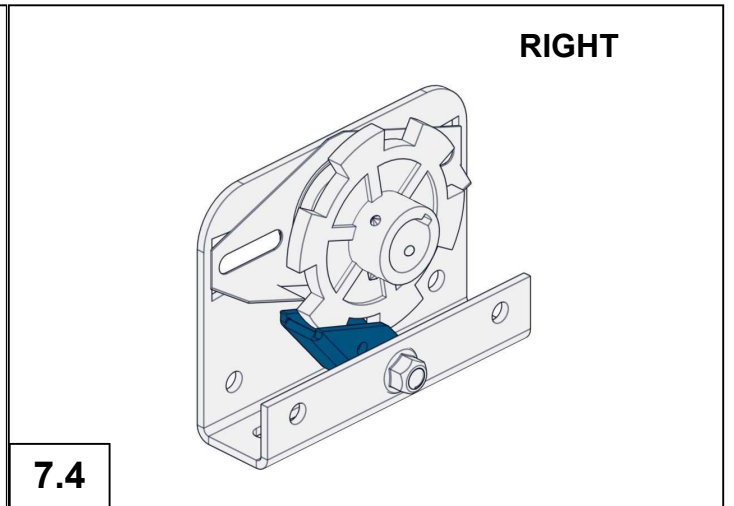
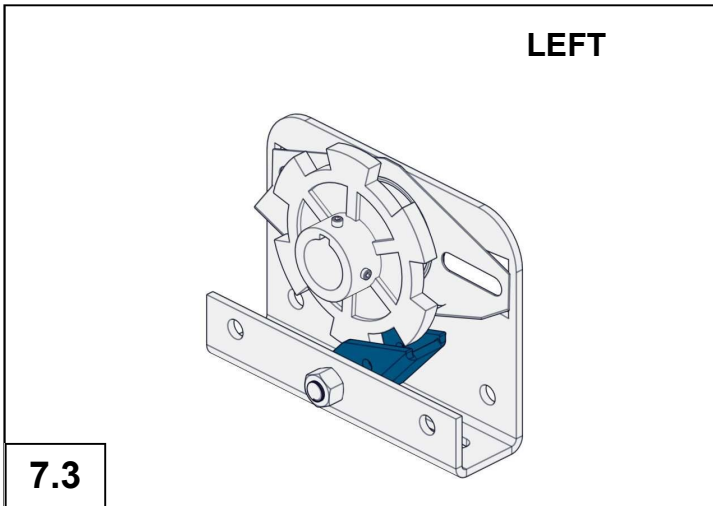
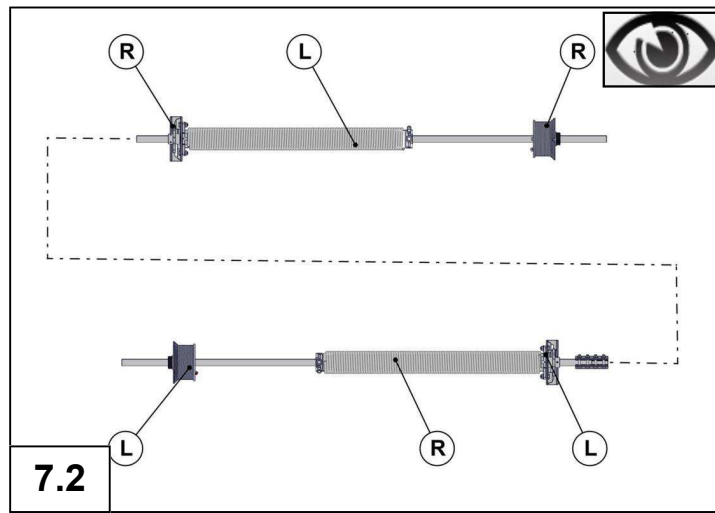


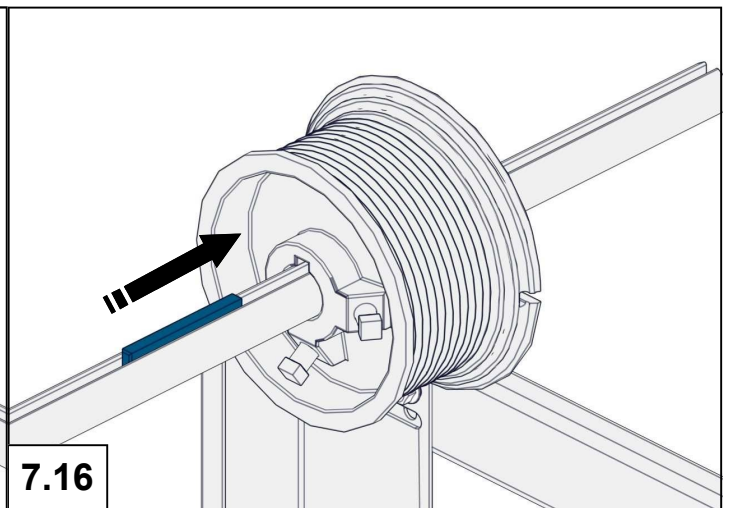
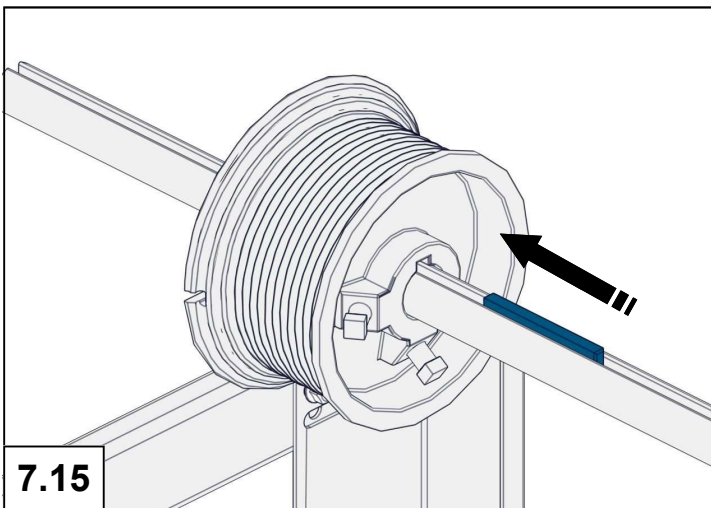
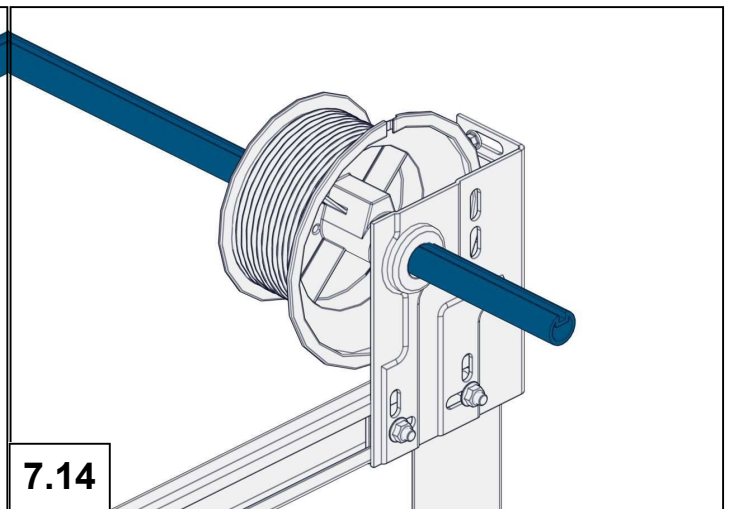
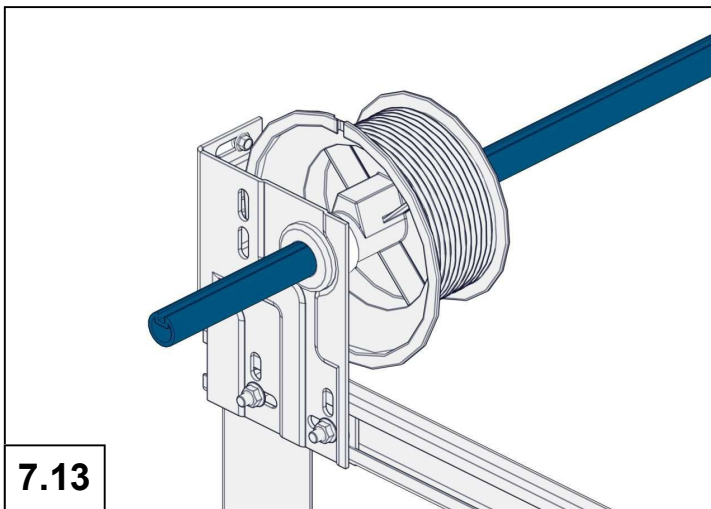
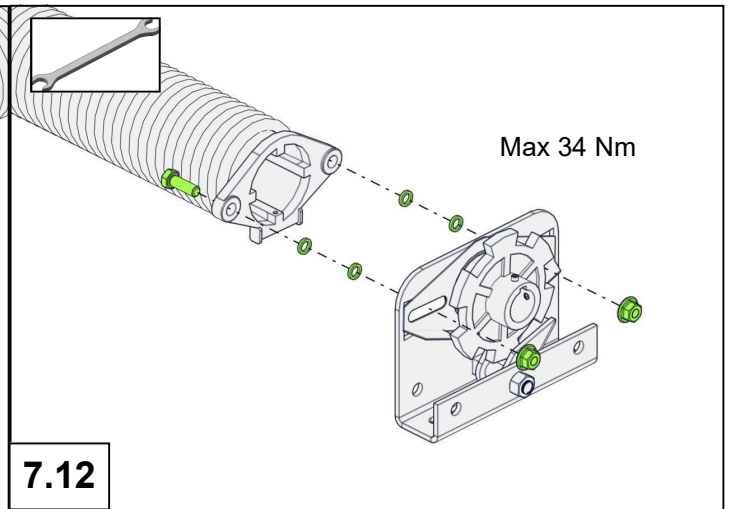
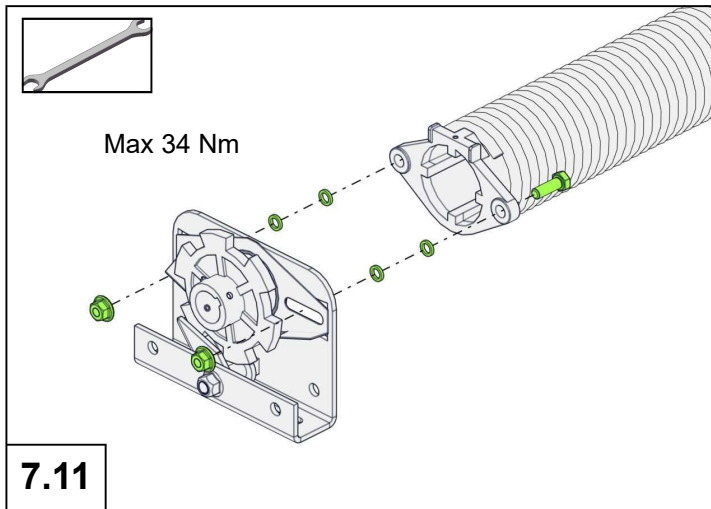
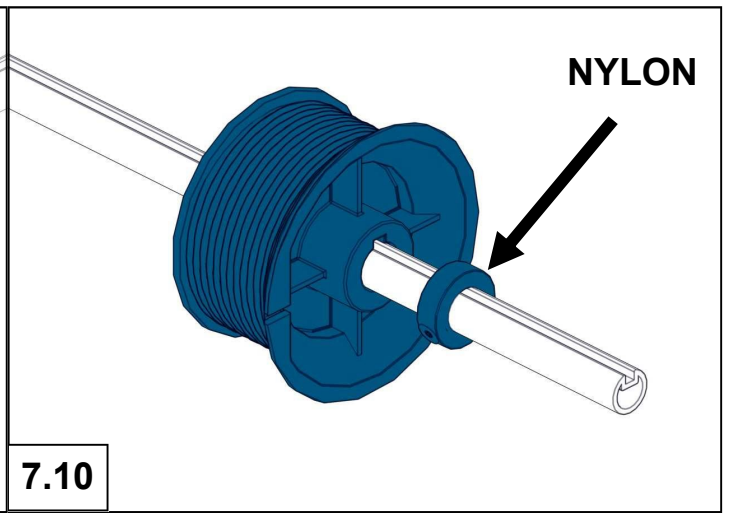
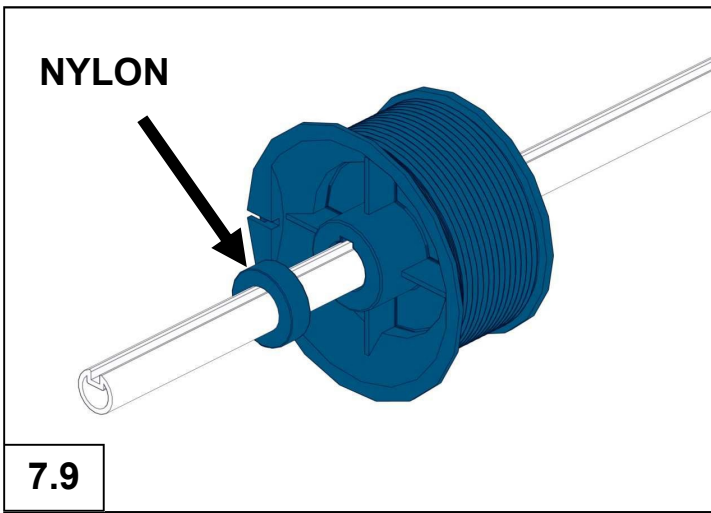


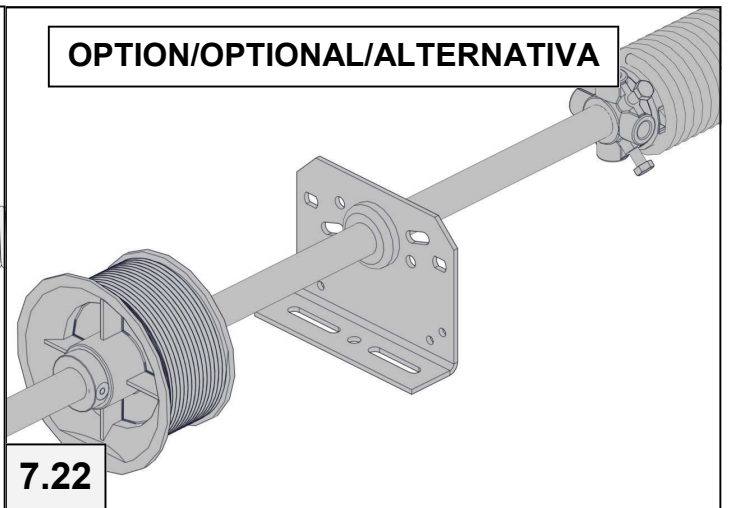
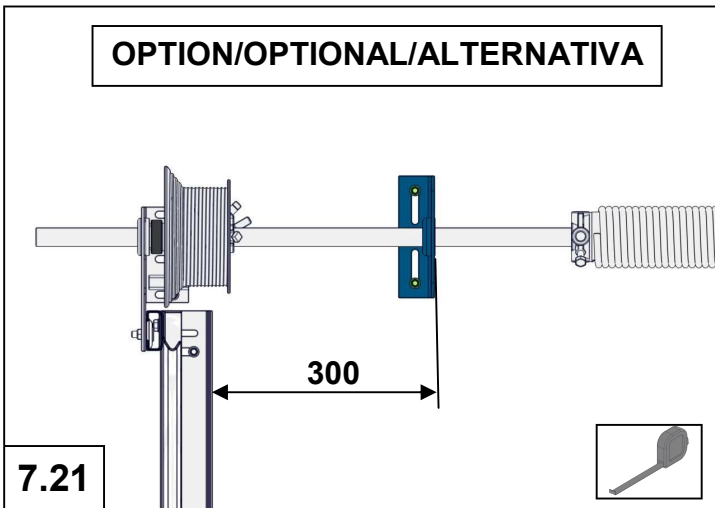
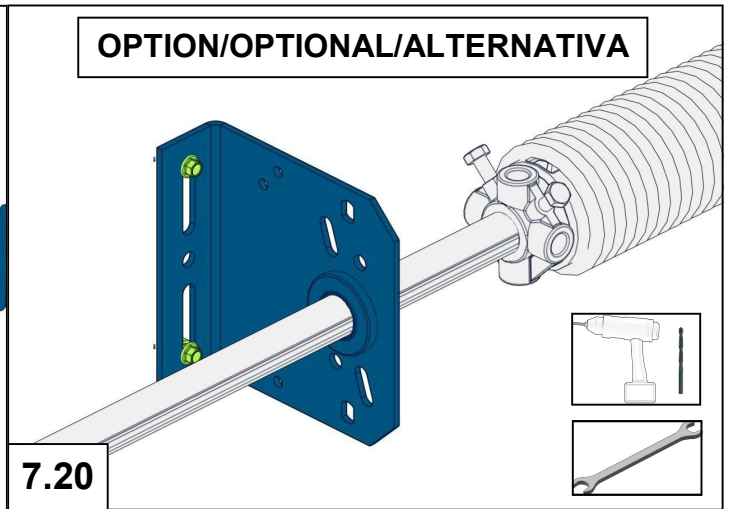
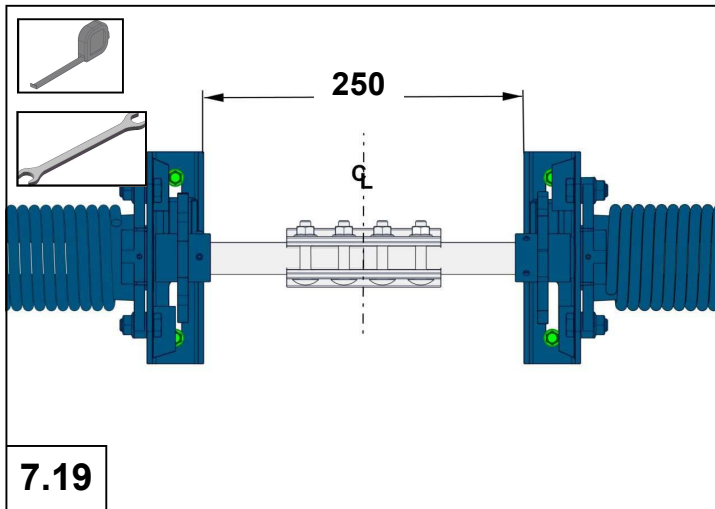
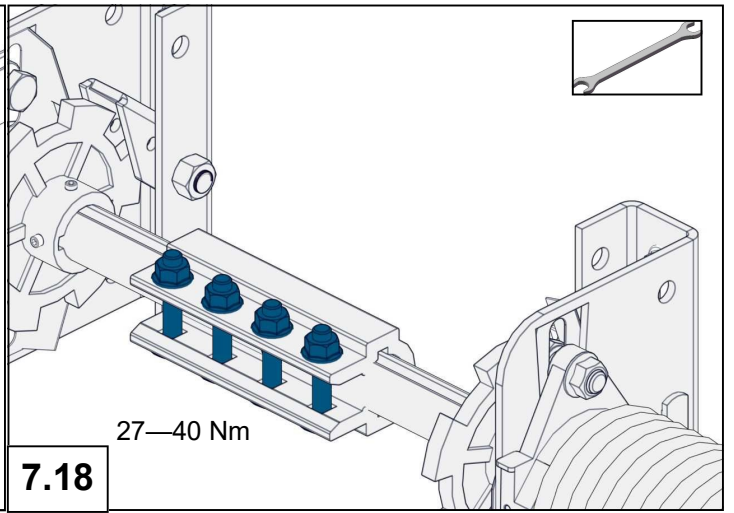
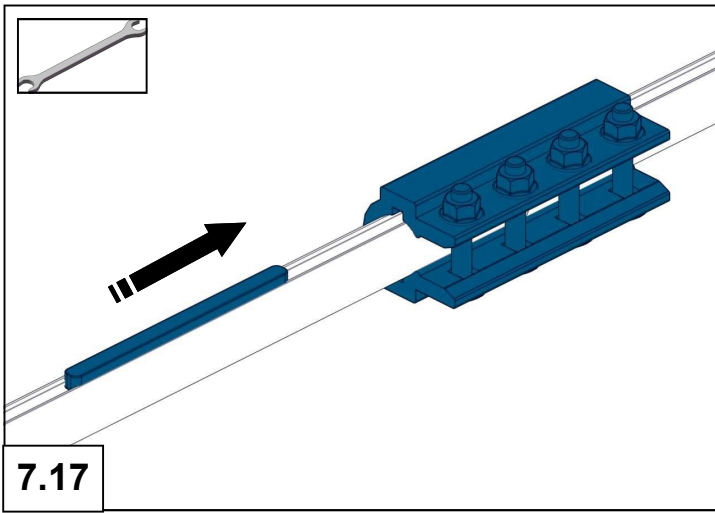












**FSP + FVE FSP**

