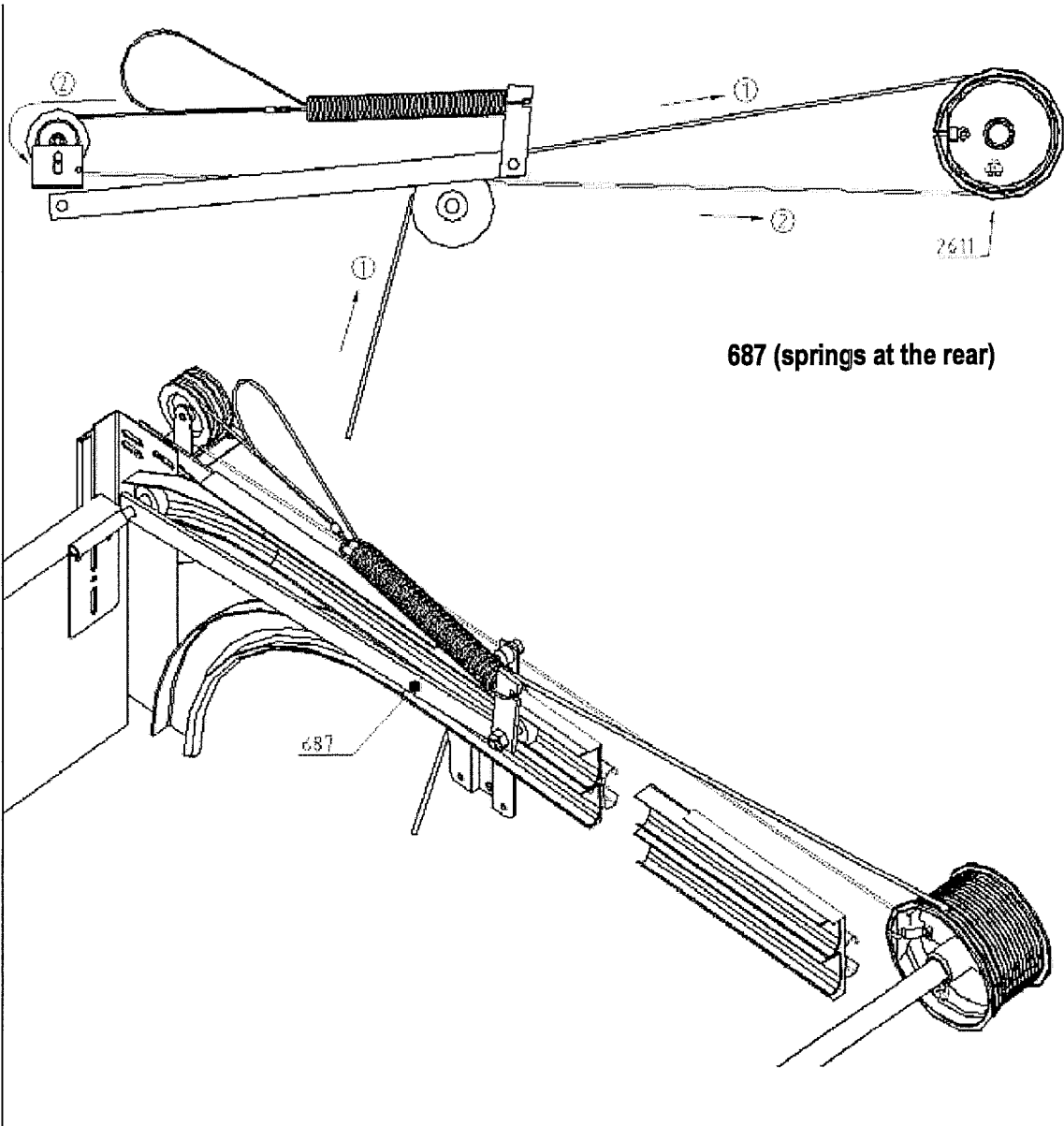
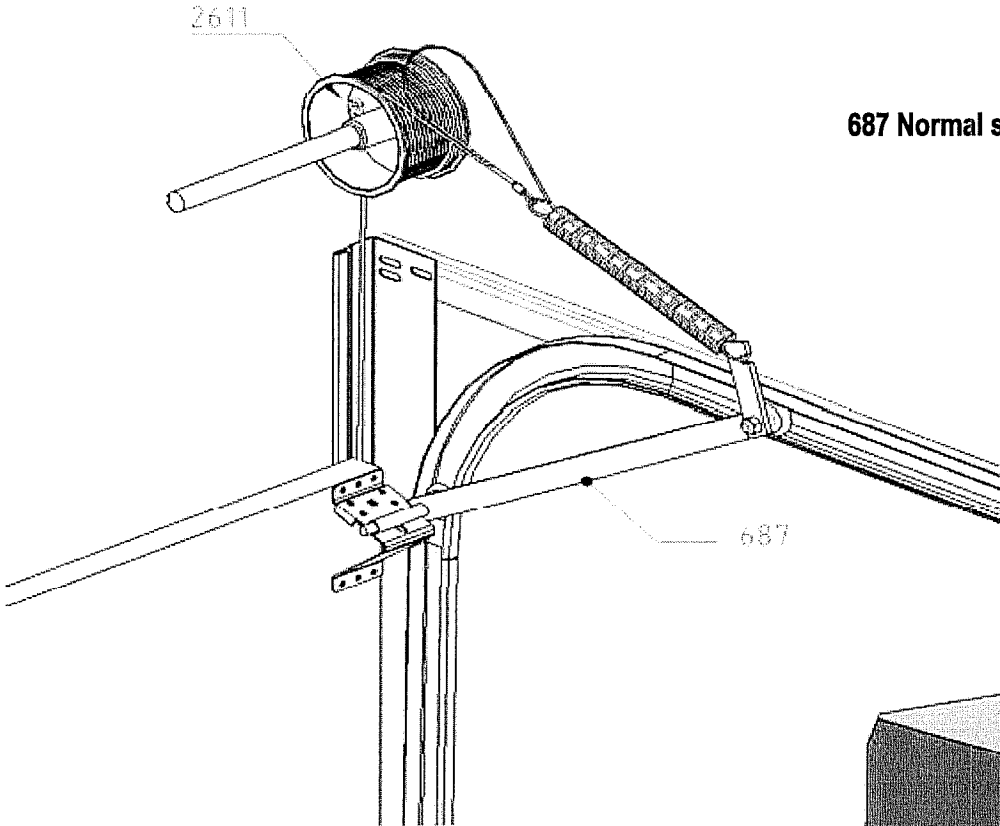


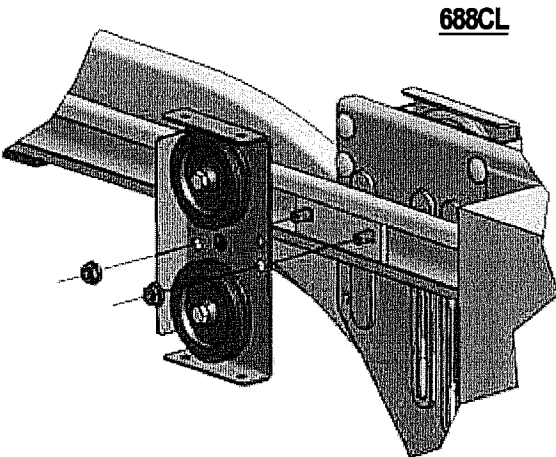
A cover to protect the bracket 2600 is required.



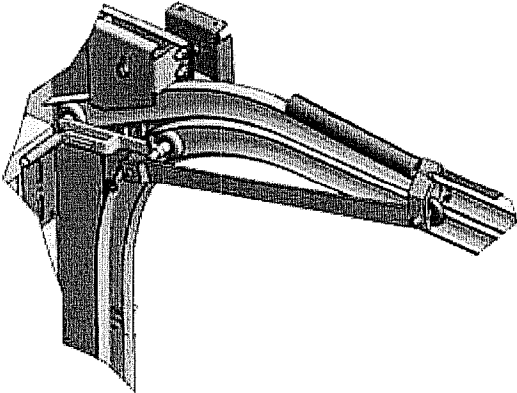
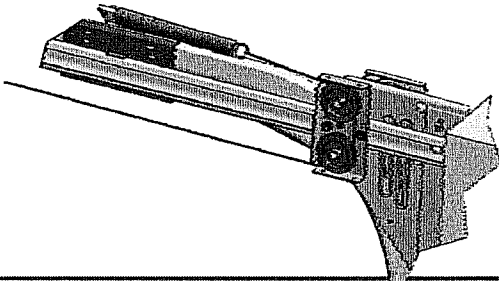
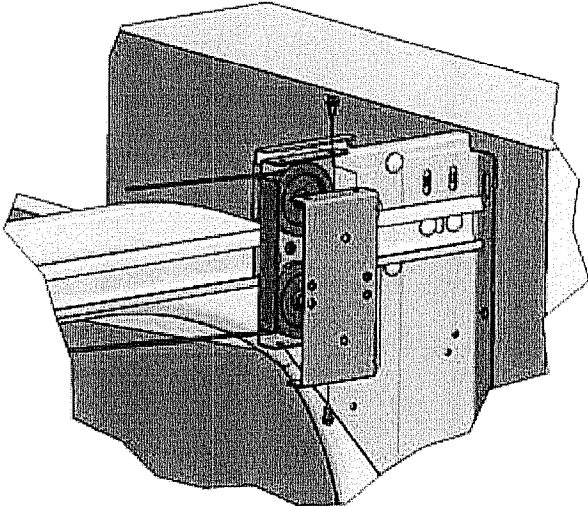
687 (springs at the rear)



687 Normal system

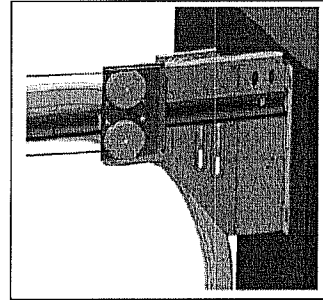
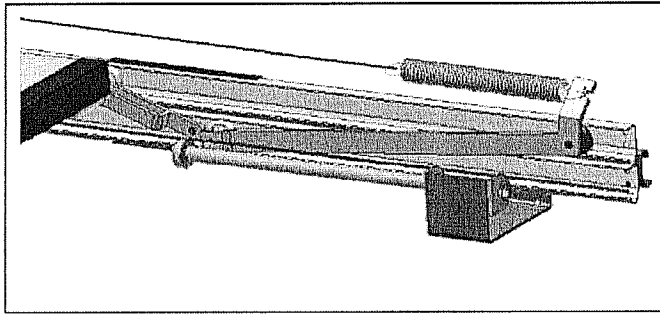


688CL



Available lift systems:

- LHR = Low Head Room
- FLH = Following the roof Low Head room (CE-FLH) with angles in steps of 5 degrees (max 28°).



688CR

A special tension set has been designed for combining with this new system. Article code 688CR/L. See attached build-in instructions.

BUILD-IN SPECIFICATIONS

Build in height 40 mm panel.	no 6" springs	6" springs
FF-NL-12, FF-NL-18 no tension set 688CR	205 mm	215 mm
with tension set 688CR	230 mm	235 mm
FF-NL-32	240 mm	240 mm

The system is suitable for panel thickness between 40 and 50 mm. For thicker panels than 40 mm the build in height will increase.

Needed side room	
no tension set 688CR	120 mm
with tension set 688CR	145 mm

INSTALLATION OF TRACK SYSTEM

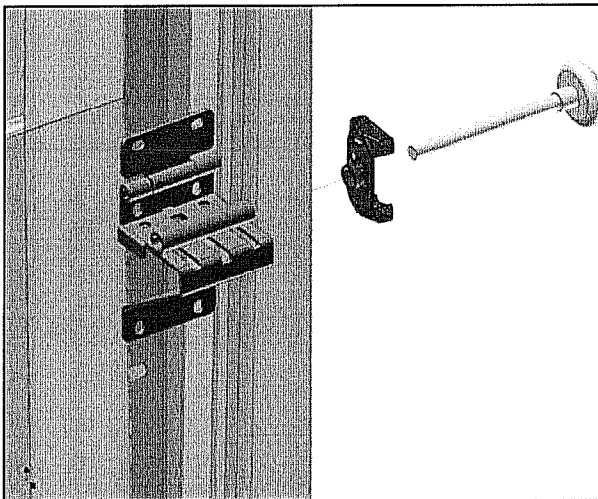
Distinguishing feature

With CE-LHR systems the door turns through the bend directly above the clear height. The horizontal section consists of a double track. See figure.

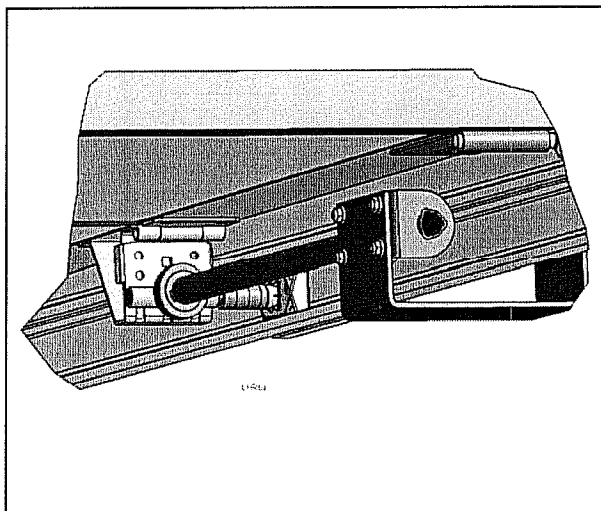
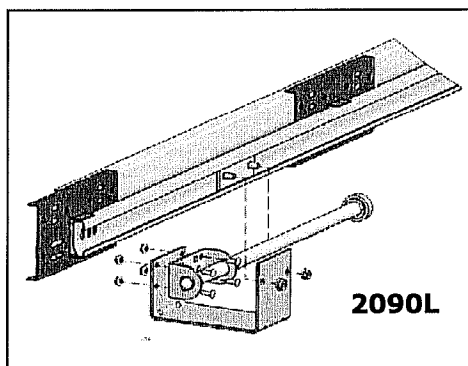
Tracks

The track system of the LHR System consists of a vertical and a horizontal section.

7

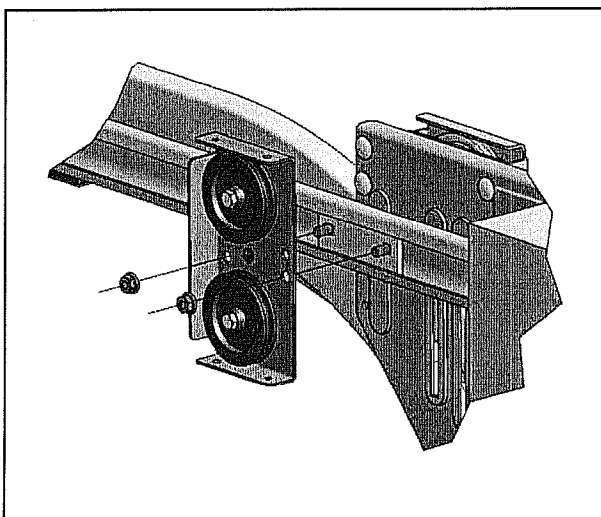


8

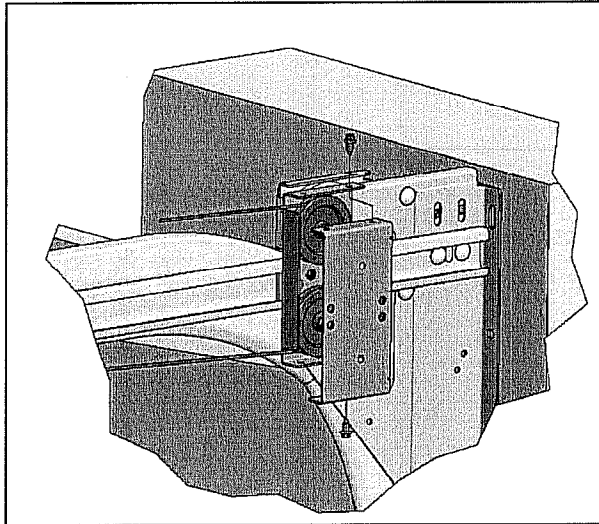


9

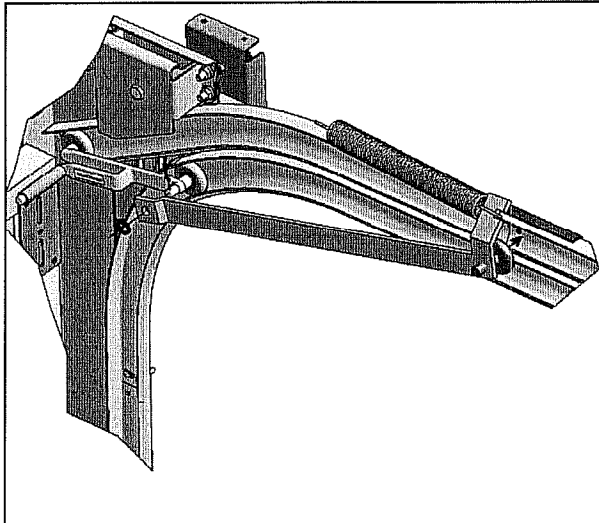
688CR INSTALLATION



10



11



12

